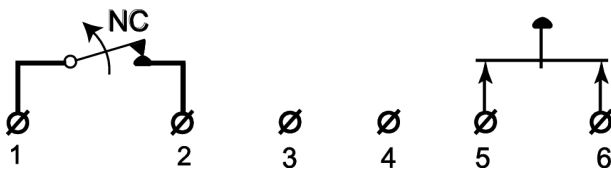


MC 440-T

Magnetic Contact,
Surface mount, NC

Technical data






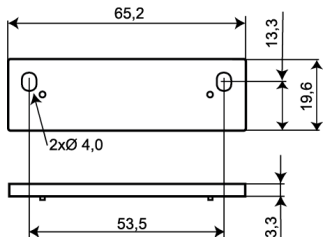
Installation method	Surface mount
Contact function	Normally Closed (NC)
Approvals	EN 50131-2-6 Grade 2, Class II, INCERT B-582-0013, SBSC 9-211, Class 2, FG
Contact rating	48 VDC / 500 mA / 10 VA
Magnet type	Alnico 5
Mounting on steel	Possible without accessories
Make distance (wood) mm	31
Make distance (steel) mm	16
Tamper protection	Yes
Connection	Screw terminals
Housing material	ABS Plastic
Operating temperature range	-40°C - +70°C
Housing protection class	IP 43
Contact dimensions (L x W x H) mm	65 x 20 x 15
Magnet dimensions (L x W x H) mm	65 x 14 x 10
Grade	2




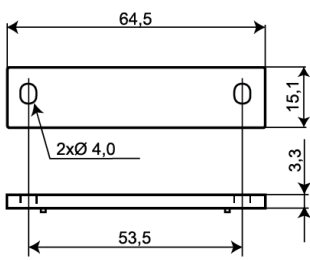

MC 440-T is a surface mount magnetic contact with NC function and with 6 screw connections. It can be used in both in alarm and access control systems for monitoring e.g. doors and windows against unauthorised opening.

It has screw terminals with wire protection and a sabotage contact. Enclosed are plastic spacers for installation on steel. The contact can be supplemented with different accessories such as brackets and extra strong magnets.

Related products and accessories

	<p>MC 440</p> <p>Magnetic Contact, Surface mount, NC</p>
	<p>MC 446</p> <p>Magnetic Contact, Surface mount, NC/NO</p>
	<p>MC 447</p> <p>Magnetic Contact, Surface mount, 2 x NC</p>
	<p>MC 470</p> <p>High Security Contact, Surface mount, NC</p>
	<p>MC 400-3</p> <p>Plastic Spacer Contact Part for MC 400 Series</p> 

Related products and accessories

	<p>MC 400-4</p> <p>Plastic Spacer Magnet Part for MC 400 Series</p>	
	<p>MC 400-MX</p> <p>Magnet Part with Strong Magnet for MC 400 series</p>	