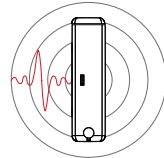
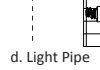




c. Front Panel

e. PCB

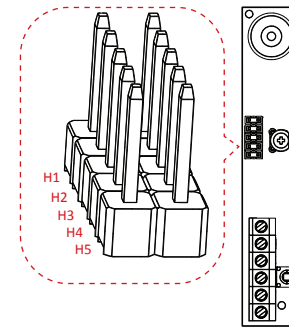
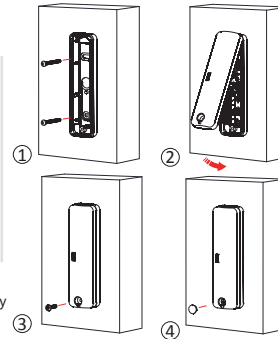
f. Rear Panel



Material and Mounting Position

Material	Concrete	Wood	Fixed Window Frame
	1.0m	2.5m	2.5m

Note: The stated values are typical. It is advised that practical testing is performed before installation to verify the operation. In some environments, these values may differ from stated.



H1 - Pulse Count	3.2		
H2 - Pulse Count			
H3 - LED	3.3		
H4 - Sensitivity	3.4		
H5 - Latch	3.5		

Pluse Count

	H1	H2	Pluse
			1
			2
			4
			6

Each time the pulse count setting is changed, the LED will flash the appropriate number of times to indicate which setting is selected. It will verify this by indicating the pulse count setting 3 times, pausing between each verification.

LED

a. Powering up 0s 0.5s 1s 1.5s 2s Flash on and off

b. Vibration detected 0s 0.5s 1s 1.5s 2s Flash once

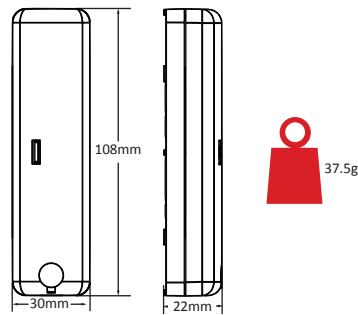
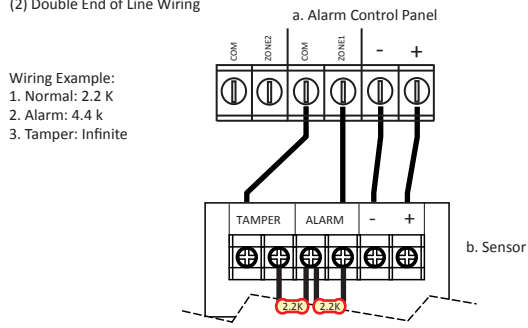
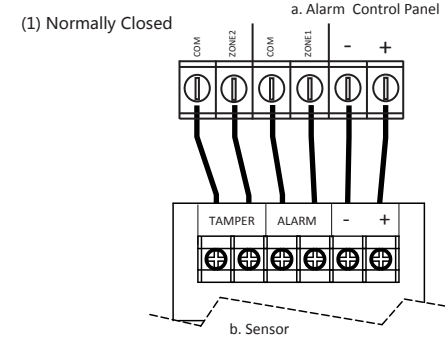
c. Device triggered 0s 0.5s 1s 1.5s 2s Flash once -> Off
Flash once -> Latch (Remove H5)

d. Gross activation 0s 0.5s 1s 1.5s 2s Flash once -> Off
Flash once -> Stay on (Remove H5)

a. High Sensitivity b. Low Sensitivity c. Increase d. Decrease

If the sensor detects "gross attack" (a vibration higher than the calibrated sensitivity), it will override the pulse count and go directly into alarm.

Remove the jumper from the H5 (or put on just one pin so that the jumper is not lost) to activate the latching feature. If this feature is activated and the sensor is triggered, the LED on the sensor will stay on in order to display that it has been activated. To reset, the power must be removed from the device.



Sensor	Piezoelectric sensor
Sensitivity	Potentiometer Adjustment
Tamper switch	Support
Intelligent algorithm	Support
Alarm output	Normally closed
LED	Blue (alarm)
Nominal voltage	9 to 16 VDC
Nominal current	30 mA
Storage temperature	-20 °C to 60 °C (-4 °F to 140 °F)
Operating temperature	-10 °C to 55 °C (14 °F to 131 °F)
Operating humidity	10% to 90%
Installation	Wall-mounting
Dimension	108 mm × 30 mm × 22 mm
Weight	37.5g



FCC statements: This device complies with part 15 of the FCC Rules. Operation is subject to the following two conditions: (1) this device may not cause harmful interference, and (2) this device must accept any interference received, including interference that may cause undesired operation.

FCC Information

Please take attention that changes or modification not expressly approved by the party responsible for compliance could void the user's authority to operate the equipment.
FCC compliance: This equipment has been tested and found to comply with the limits for a Class B digital device, pursuant to part 15 of the FCC Rules. These limits are designed to provide reasonable protection against harmful interference in a residential installation. This equipment generates, uses and can radiate radio frequency energy and, if not installed and used in accordance with the instructions, may cause harmful interference to radio communications. However, there is no guarantee that interference will not occur in a particular installation. If this equipment does cause harmful interference to radio or television reception, which can be determined by turning the equipment off and on, the user is encouraged to try to correct the interference by one or more of the following measures:
—Reorient or relocate the receiving antenna.
—Increase the separation between the equipment and receiver.
—Connect the equipment into an outlet on a circuit different from that to which the receiver is connected.
—Consult the dealer or an experienced radio/TV technician for help.

FCC Conditions

This device complies with part 15 of the FCC Rules. Operation is subject to the following two conditions:
1. This device may not cause harmful interference.
2. This device must accept any interference received, including interference that may cause undesired operation.

