

OUTDOOR PASSIVE INFRARED DETECTOR

LX-402, LX-802N

120° wide Long Range



1 YEAR WARRANTY

FEATURES

- LX-402 :40ft.(12m) 120° Wide Angle
- LX-802N:80ft.(24m) Long Range
- Selectable Detection Area Patterns
- Day/Night Mode
- Waterproof (IP Rating:IP54)

FUNCTION

- Selectable Pulse Count (TEST or 2)
- Selectable Sensitivity (H , M or L)
- Form C Relay Output
- Tamper Switch

OPTION

- Ceiling Mount Bracket : CA-2C
- Multi-Angle Wall Mount Bracket :CA-1W
Adjust $\pm 45^\circ$ (Horizontally)
Adjust 0 - 20° (Vertically downwards)

Safety-Related Precautions

- Before installation, make sure to read this instruction manual carefully for safe and effective product operation.
- After reading this installation instructions, make sure to keep it in a convenient place for future use.

	Warning This icon denotes a situation involving the risk of serious injury or even death, if the warning given is ignored.		Caution This icon denotes a situation involving the risk of serious injury or damage to property if the warning given is ignored.
--	---	--	--

- This icon indicates actions to be avoid. Details of the actions to be avoided are written beside or near icon.
- This icon indicates instructions that should be strictly followed.

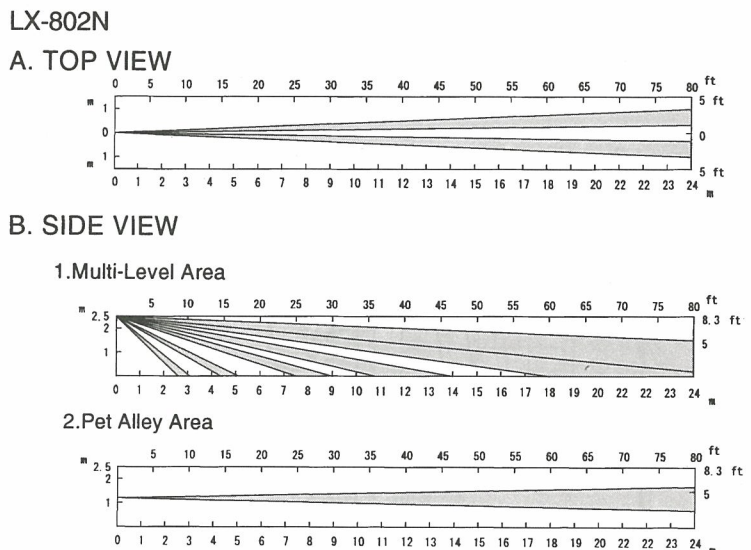
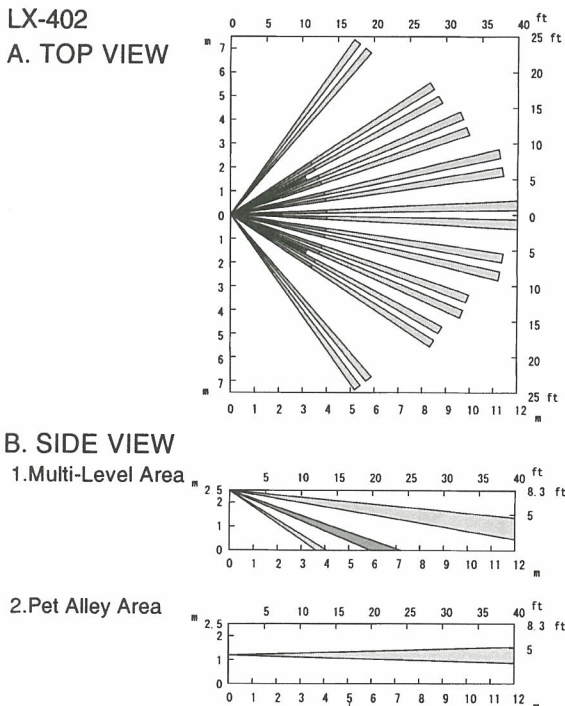
Warning	
Never use this product for any application expect purpose for detecting moving object such as human or car. In addition, never use for any activation for a shutter or other. It may cause hazards.	To avoid the risk of electric shock, never touch the main body of the product with wet hands (Also, if the product is wet after rain, do not touch it).
Never attempt to disassemble or modify the product, which increases the risk of fire or damage of the product.	Never connect the terminal with higher power supply or current draw over the specification. It increases the risk of fire or damage to the product.

Caution	
Avoid applying water directly from brackets, houses, or otherwise splashing water directly onto the product. It increases the risk of damaging the product.	Clean and inspect the device periodically for safe operation. If any defect is detected, ask your local shop to repair the device.

1.INSTALLATION HINTS

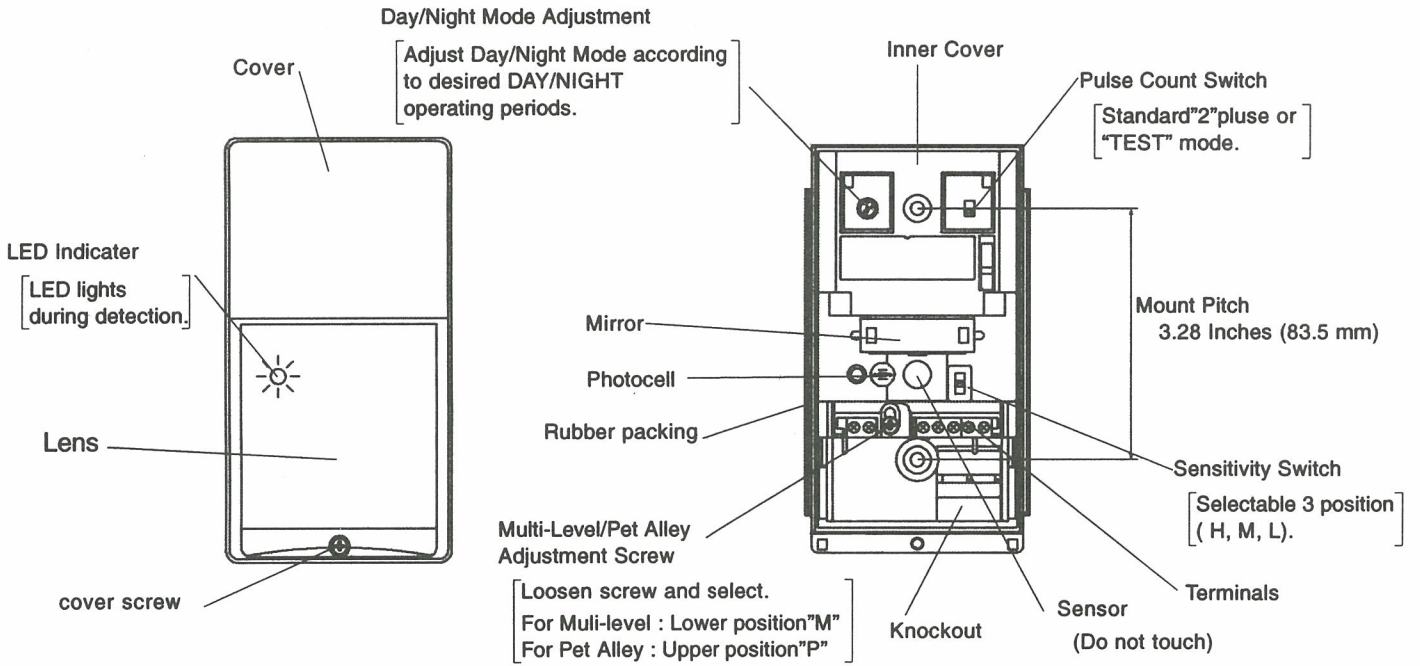
<p>Maximum mounting height is 8.3ft.(2.5m).</p>	<p>Mount the detector directly to a wall or ceiling with the optional bracket(model CA-1W or CA-2C).</p>	<p>Avoid moving objects in the detection area (i.e.swaying trees, bushes, etc.).</p>	<p>Aim the detector at wall or the ground, to avoid unwanted detection.</p>
<p>When using the pet alley area, the mounting height should be between 4-5ft.(1.2-1.5m).</p>	<p>Avoid looking directly at air conditioning or heating vents.</p>	<p>Avoid vapor or high humidity that can cause condensation.</p>	

2.DETECTION AREA PATTERNS



This product detects temperature differences between the moving object and the background temperature in the detection area. So, if the object dose not move, the detector can not detect it, and changing of the temperature differences may affect the detector's detection range. Additionally, since this product has directional characteristic it is difficult to detect the target that is approaching the detector.

3. DESCRIPTION AND OPERATION



4. INSTALLATION PROCEDURE

Installation on wall

1

Loosen cover screw and remove cover.

If angle adjustment is required, use the optional "CA-1W" mounting bracket

2

Pull wire through the back of the detector.

3 NOTE !

If you have problems of wiring through the back of the detector, remove adjustment screw and remove the PCB from the base. (see illus.)

4

Connect wires to terminals, as shown.

Power supply wires should not exceed the following lengths.

wires size	
AWG22 (0.33 mm ²)	1070ft (320m)
AWG20 (0.52 mm ²)	1700ft (510m)
AWG18 (0.83 mm ²)	2700ft (820m)

5

Set the Day/Night mode adjustment to the "24HR" setting (DAY).

Set Pulse Count to "TEST" mode. Adjust sensitivity setting (see section 6-2 and 3).

6

Replace the cover and supply power to unit. After the warmup period is complete (approx. 60 sec.), conduct Walk Test.

The LED Indicator lights when the unit detects moving object.

7 After conducting Walk Test.

Set the Day/Night mode adjustment to the NORMAL position (-). (If night only operation is required, see section 6-1)

Set Pulse Count to the "2" position. (see section 6-1 and 2).

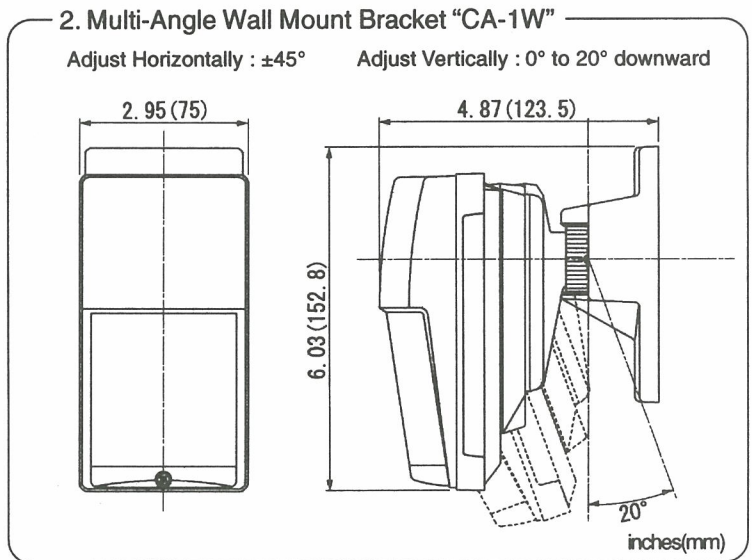
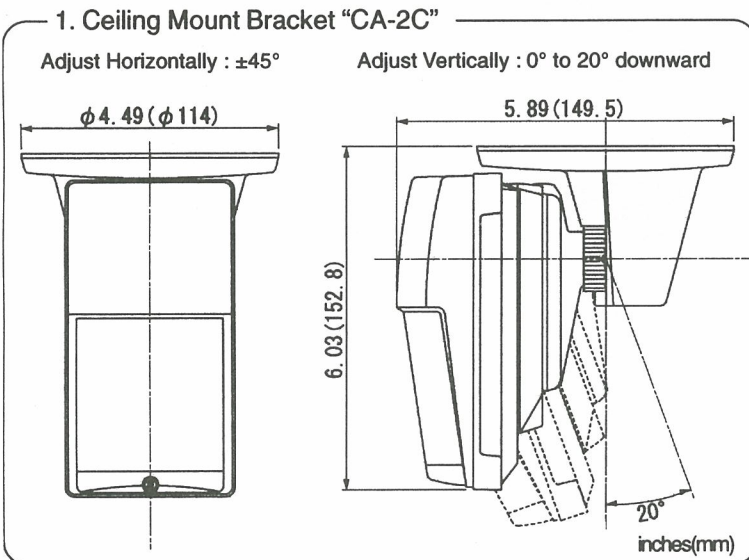
8

After wiring, pack the provided sponge into the opening between each wire and the knockout hole.

Select HIGH, MEDIUM or LOW sensitivity (H, M, L). Fasten cover with the cover screw. (see section 6-3)

5. OPTIONAL BRACKETS

Note ! Maximum mounting height is 8.3 ft (2.5m)



6.SETTING AND ADJUSTMENT

1. Day/ Night Mode

Adjust the Day/Night Mode switch of the detector according to the brightness of the surrounding area.



NORMAL Position

: To have the standard detector function only during evening/night time, set the dial to the reference position (.).



: To have the detector begin to function while the surrounding area is lighter, turn the dial gradually to the DAY side.



: To have the detector function only after it has become dark, turn the dial gradually to the NIGHT side.



: To have the detector function at all time, or to perform a walk test, set the dial to the DAY position.

Unit is pre-set at "NORMAL" position.

2. Pulse Count Switch

2 TEST : "2" mode : Select "2" for normal applications. (STANDARD Position)

TEST : "TEST" mode : Select "TEST" mode when conducting WALK TEST , or for use in extremely stable environments.

Unit is pre-set at "2" position.

3. Sensitivity Switch

M : Use "M" position for normal applications. (STANDARD Position)

H : Use "H" Position when you need high sensitivity. (ex. Pet Alley Area)

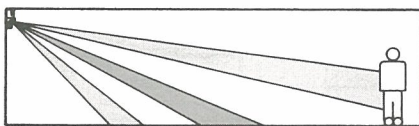
L : Use "L" position in areas that may be unstable.

Unit is pre-set at "M" position.

7.DETECTION AREA ADJUSTMENT

Changing vertical detection area

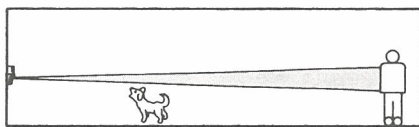
1.Multi-Level Area



Use this area for normal applications.

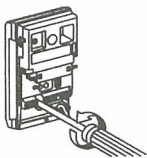
Unit is pre-set at "Multi-Level" setting.

2.Pet Alley Area

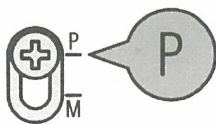


Provide a horizontal detection pattern with no declination of zones, allowing pets to move through the area.

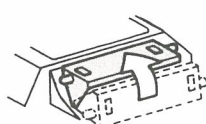
Selecting Pet Alley Pattern



Carefully loosen the adjustment screw.



Slide the cover down and fasten the screw at the "P" position.



Flip the Mirror to the upper position.

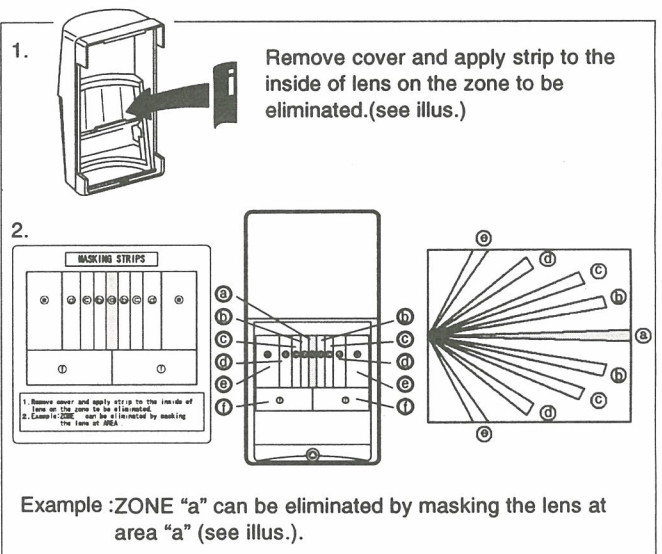
NOTE ! Sensitivity setting must be one step higher position when pet alley area is selected.

NOTE ! Pet Alley Area will not function if two changes are not performed.

Eliminating unwanted detection zones

(LX-402 only)

Unwanted detection zones can be eliminated by simply masking the lens with the provided masking strip, as follows:



8.TROUBLE SHOOTING

PROBLEM	PROBABLE CAUSE	REMEDY
LED does not light up.	Improper power supply voltage. (disconnection, low voltage)	Confirm the power supply is under specification.
	Wrong polarity	Switch positive and negative at terminal.
	The detector is in warm up period.	Wait for.(approx. 60 sec.)
	The Day/Night Mode Adjustment knob setting is inappropriate.	See section 6-1. Confirm the adjustment knob.
	Incorrect detection area.	See section 2.
LED lights up even though no one is in detection area.	Moving object within area. (curtain, wall hanging, etc.)	Remove the object from the detection area.
	Improper power supply voltage.	Confirm the power supply is under specification.
	The unit is detecting persons, cars or other objects beyond the set area.	Check the detection area.
The LED lights up, but there is no relay output	Temperature of object within area is changing rapidly (heater, air conditioning, etc.)	Remove the heat sources from the detection area.
	Relay contact is stuck or damaged due to overloading.	Check load of output. The unit needs repair or replacement.
	Faulty wiring.	Wire correctly.
	Alarm output connects to other devices as follows. when NC output is used :connect in parallel. when NO output is used :connect in series.	when NC output is used :connect in series. when NO output is used :connect in parallel.

9.SPECIFICATIONS

Model	LX-402	LX-802N
Detection method	Passive Infrared	
Detection area	40ftx50ft(12mx15m) 120°wide	80ftx6.6ft(24mx2m) Long range
Coverage	Multi-Level Area	40 zones
	Pet Alley Area	12 zones
Mounting height	Multi-Level Area	18 zones
	Pet Alley Area	4 zones
Detection speed	8.3ft (2.5m) max	
Sensitivity adjustment	4-5ft (1.2-1.5m)	
Detection speed	1-3.3ft/sec. (0.3-1.0m/sec.)	
Sensitivity adjustment	Selectable 3 position (H,M,L)	
LED indicator	LED lights during detection	
Alarm period	2±1 sec.(Delay timer)	
Alarm output	NC.NO.28V DC 0.2A max	
Tamper switch	Opens when cover removed.	
Pulse count	2 (20±5 sec.) or TEST(1 pulse)	
Day/Night Mode adjustment	Approx. 10 to 100,000 lux	
Warm up period	Approx. 60 sec.	
Power input	10.8-13.2VDC	
Current draw	25 mA max	
Mounting	Wall (Indoor/Outdoor)	
Operating temperature	-4°F - +122°F(-20°C - +50°C)	
Environment humidity	95% max	
Weight	6.0oz (170g)	6.8oz (190g)
IP Rating	IP54	
Accessory	Masking strips (LX-402 only),Mounting screw,Sponge	

※ Specifications may be changed without prior notice for improvements.

Manufacturer:

OPTEX CO., LTD
5-8-12 Ogoto, Otsu, Shiga, 520-0101 JAPAN

Authorised representative in Europe:

OPTEX (EUROPE) LTD. / EMEA HEADQUARTERS
Marandaz House 1 Cordwallis Park, Clivemont Road, Maidenhead, Berkshire,
SL6 7BU U.K.

Note >>

This unit is designed to detect movement of an intruder and activate an alarm control panel. Being only a part of a complete system, we can not accept responsibility for any damages or other consequences resulting from an intrusion.



OPTEX

OPTEX CO., LTD. (JAPAN)

URL: <http://www.optex.net>

OPTEX INC. (U.S.)
URL: <http://www.optexamerica.com>

OPTEX DO BRASIL LTDA.
(Brazil)
URL: <http://www.optex.net/br/es/sec>

OPTEX (EUROPE) LTD.
/ EMEA HQ (U.K.)
URL: <http://www.optex-europe.com>

OPTEX TECHNOLOGIES B.V.
(The Netherlands)
URL: <http://www.optex.eu>

OPTEX SECURITY SAS (France)
URL: <http://www.optex-security.com>

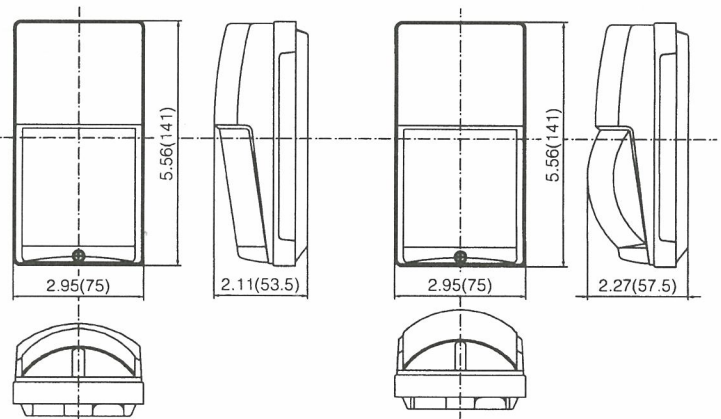
OPTEX SECURITY Sp.z o.o.
(Poland)
URL: <http://www.optex.com.pl>

OPTEX PINNACLE INDIA,
PVT., LTD. (India)
URL: <http://www.optex.net/in/en/sec>

OPTEX KOREA CO.,LTD. (Korea)
URL: <http://www.optexkorea.com>

OPTEX (DONGGUAN) CO.,LTD.
SHANGHAI OFFICE (China)
URL: <http://www.optexchina.com>

10.DIMENSIONS



LX-402

LX-802N

inches(mm)