

## PFA138

### Water-proof Junction Box



### Features

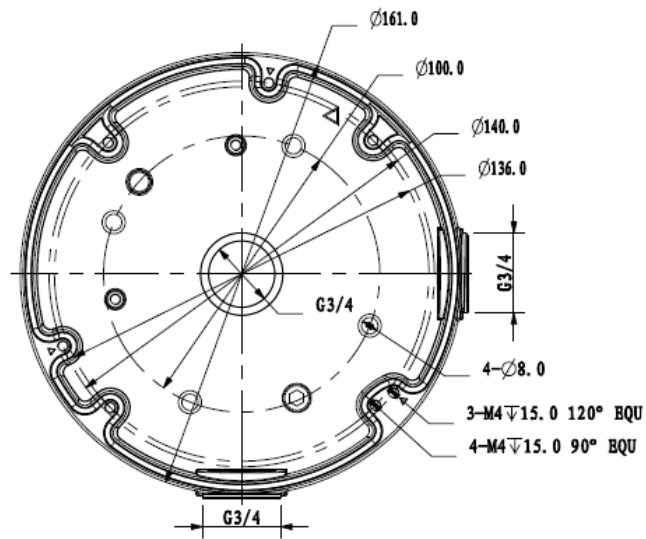
- Material: Aluminum
- Junction Box
- Neat & Integrated design

### Specifications

Model	PFA138
<b>General</b>	
Material	Aluminum
Dimension	φ161x38mm
Inch Thread	G3/4"
Operating Temperature	-40°C ~60°C
Humidity	0~90% RH
Load Bearing	3.0Kg
Weight	0.45Kg
Color	White
Applicable Model	Please see "Accessory Selection"

# PFA138

## Dimensions (mm)



## Application

