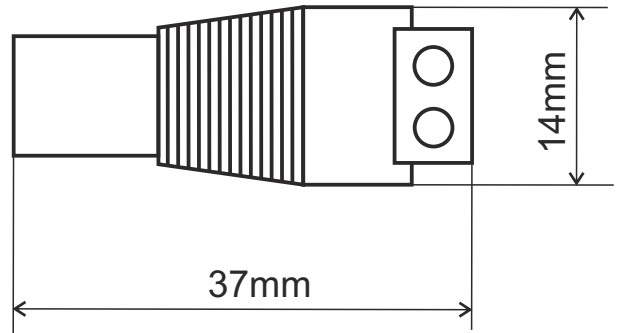
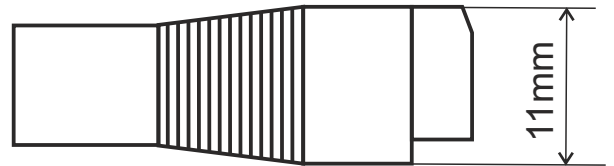


CODE: **ML 120** v1.0/III
 TYPE: **Redukcja CABLE-OUTLET DC 5.5/2.1/N**

EN



DESCRIPTION

Reduction cable-outlet DC 5,5/2,1/N- enables easy connection of the receivers that end with a power wire with a plug of DC5,5/2,1 type e.g. PSA, PSD, PSC.

SPECIFICATION

Operation voltage:	30V DC max.
Maximum current:	2A
Plug:	DC 5,5/2,1, male
Cable connector:	$\Phi 0,41 \pm 1,63$ (AWG 26-14)
Notes:	one-piece connection block

ATTENTION

Depending on receiver, requirements of polarization and power connector are different.

Remember to check compatibility of polarity of power connector with requirements of receiver.