

Features:

- supply voltage 20 ÷ 30 V DC
- eight outputs independently secured with melting fuses
- technical relay output of the PSU indicating fuse activation
- optical indication of failure
- dedicated to fire alarm power supplies of EN54C series
- warranty - 5 years from the production date

Description.

The fuse module is designed for power distribution in the power supply units of EN54C series. It contains two power inputs, IN1 and IN2, connecting to the power supply and eight independently secured outputs AUX1÷AUX8. The IN1 input supplies power to the AUX1 and AUX4 outputs, while the IN2 input supplies power to the AUX5 and AUX8 outputs. Each AUX output has short-circuit protection (SCP) in form of F 0,5A melting fuse (it is possible to install F1A fuses - not included). Outputs condition is indicated by L1÷L8 LEDs. Fuse activation is indicated by: turning off the corresponding LED: L1 for AUX1, L2 for AUX2 etc., technical output relay type and PSU LED. PSU technical output can be used for remote control of the parameters, e.g. external optical indication.

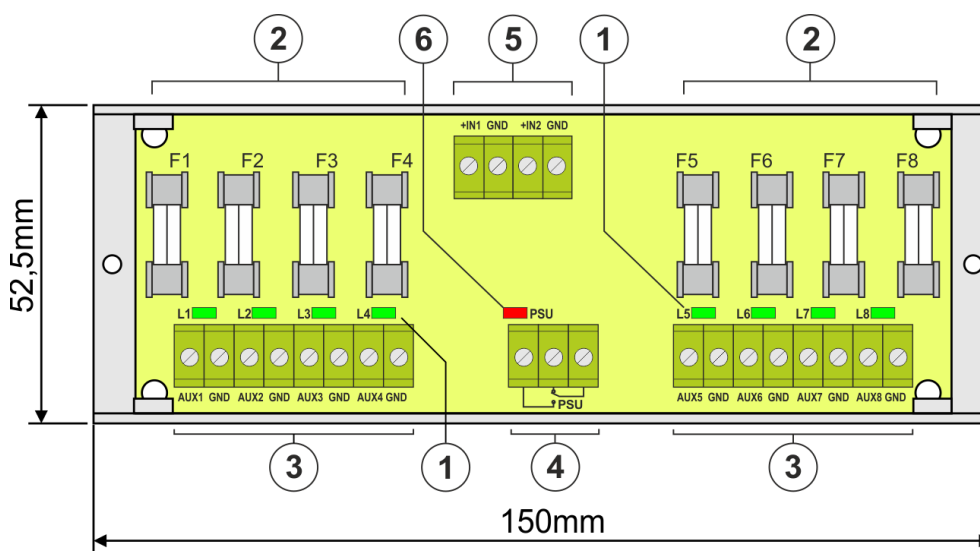


Fig.1. Module view.

Table 1. Description of components.

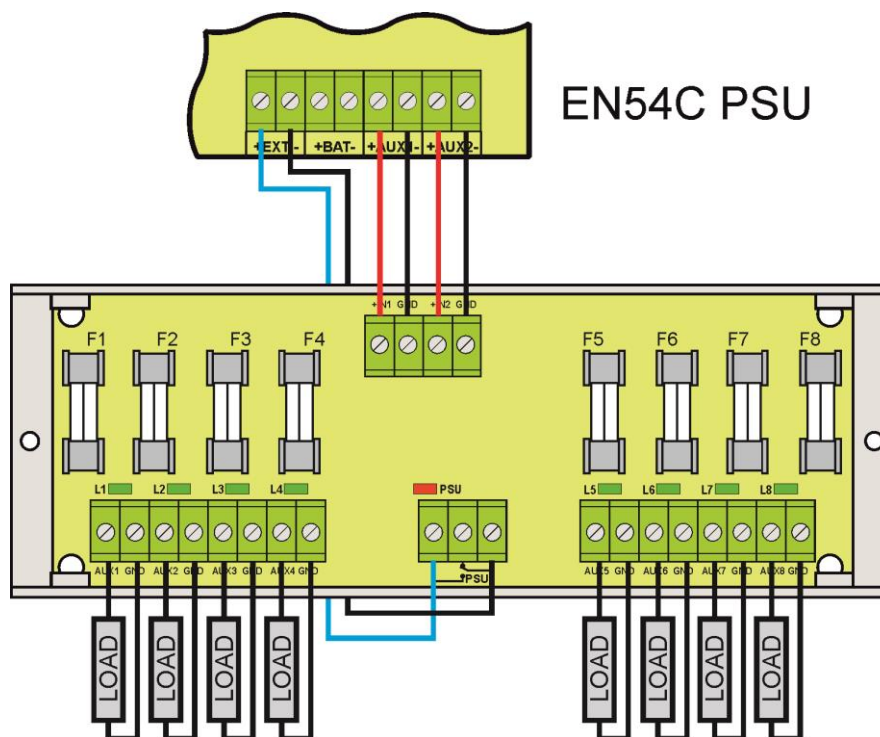
Component No.	Description
[1]	L1 ÷ L8 green LEDs
[2]	F1 ÷ F8 fuses in AUX circuits (+)
[3]	AUX1 ÷ AUX8 independently secured outputs
[4]	PSU technical output indicating failure
[5]	IN1, IN2 – module power supply inputs
[6]	PSU red LED indicating failure

Installation.

- 1) The module should be installed in the fixed section of the enclosure.
- 2) Connect AUX1 and AUX2 outputs with IN1 and IN2 inputs using the supplied cables.
- 3) The EXTi collective Power supply failure input should be connected to the output of the PSU terminal block.



When installing the fuse module in the power supply unit, power supply current consumption, used for the calculation of standby time, should be considered.

**Technical parameters.**

Supply voltage	20 ÷ 30 V DC
Output voltage	$U_{AUX} = U_{IN}$ (according to supply voltage)
Current consumption	20 ÷ 30mA @ $U_{in}=20 \div 30$ V DC
Number of power inputs	2 (IN1, IN2)
Number of power outputs	8 (AUX1 ÷ AUX8)
Protection: - Short-circuit protection SCP	8 x F 0,5 A (it is possible to install F1 A fuses - not included)
Optical signaling of operation	L1 ÷ L8 - outputs condition AUX1÷AUX8 (green LEDs) PSU - failure indication (red LED)
Fuses F1 ÷ F8	F0,5 A ÷ F1 A
PSU technical output	relay: 1 A@ 30 V DC/50 V AC
Operating conditions	2nd environmental class, -10°C ÷ +50°C
Dimensions (LxWxH)	150 x 52,5 x 27 [+/- 2mm]
Net/gross weight	0,12kg / 0,14kg
Storage temperature	-20°C...+60°C
Additional equipment	Screws x 2, glass fuses F0,5 A x 2

WEEE Label

According to the European Union WEEE Directive, waste electrical and electronic equipment should be disposed of separately from normal household waste.

Pulsar sp.j.

Siedlec 150, 32-744 Łapczyca, Polska
 Phone (+48) 14-610-19-40, Fax. (+48) 14-610-19-50
 e-mail: biuro@pulsar.pl, sales@pulsar.pl
 http:// www.pulsar.pl, www.zasilacze.pl