

POWERPURE RT SERIES

1-2-3 kVA **1:1**
PHASE

6-10 kVA **1:1**
PHASE

ONLINE UPS



Data Center



Medical



Transport



Industry



Emergency

The PowerPure RT Series is an online double conversion UPS providing stable sine-wave power for your mission critical equipment. It supports computers, servers, networks, VoIP and telecommunications.

With a 1.0 output power factor, the PowerPure RT Series UPS provides over 30% more power at the output in comparison to standard 0.7 power factor UPS systems and as such can support more critical equipment.

POWERPS SONIC
TRUSTED BATTERY SOLUTIONS

power-sonic.com



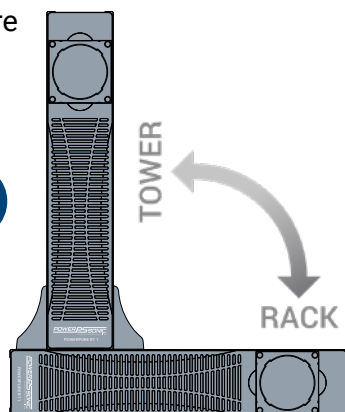
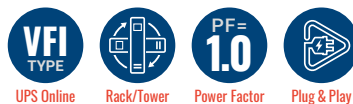
POWERPURE RT SERIES

1-2-3 kVA **1:1**
PHASE

ONLINE UPS

FEATURES

- True Online Double Conversion
- LCD Display with Multifunction Settings
- Output Power Factor 1.0
- Wide Input Voltage Range
- Power Shedding Function
- Cold Start Function
- Intelligent Battery Management
- Supports Generator Input
- Powerful Charger for More Efficient Battery Backup
- Eco Operation Mode for Energy Saving
- Hot-Swappable Battery
- Communication Software Supports Windows etc.
- Matching Battery Packs



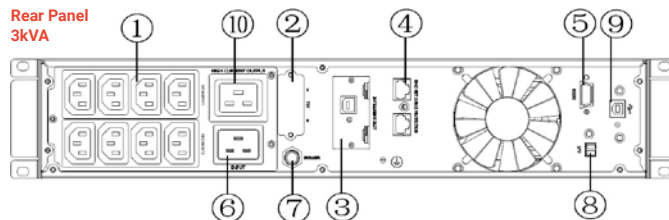
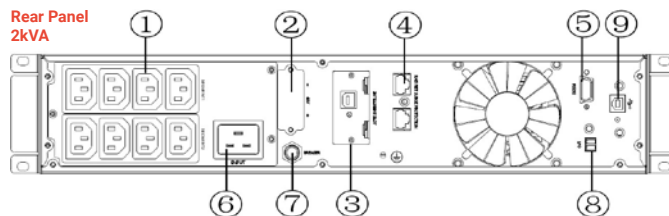
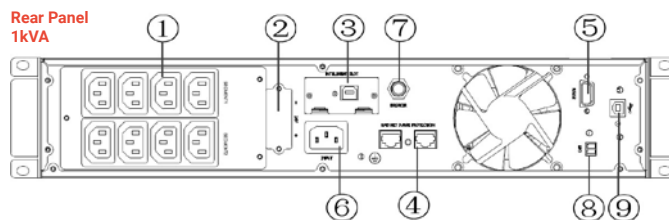
Can be used in a rack or tower formation.

GLOBAL HEADQUARTERS (USA AND INTERNATIONAL EXCLUDING EMEA)

Power-Sonic Corporation
365 Cabela Dr Suite 300,
Reno, Nevada 89523
USA
T: +1 619 661 2020
E: customer-service@power-sonic.com

POWER-SONIC EMEA (EMEA – EUROPE, MIDDLE EAST AND AFRICA)

Smitspol 4, 3861 RS Nijkerk,
The Netherlands
T NL: + 31 33 7410 700
T UK: + 44 1268 560 686
T FR: + 33 344 32 18 17
E: salesEMEA@power-sonic.com



DETAILS

- | | |
|--|-----------------------------|
| 1. Output receptacles (10A) | 7. Input circuit breaker |
| 2. Battery Terminal | 8. EPO |
| 3. SNMP intelligent slot | 9. USB |
| 4. Network /Fax/Modem Surge Protection | 10. Output receptacle (16A) |
| 5. RS-232 communication port | |
| 6. AC input receptacle | |

POWERPURE RT SERIES

1-2-3 kVA **1:1** PHASE ONLINE UPS

MODEL	PowerPure RT 1	PowerPure RT 2	PowerPure RT 3
PHASE		Single phase with ground	
Capacity (VA/Watts)	1000VA / 1000W	2000VA / 2000W	3000VA / 3000W
INPUT			
Nominal Voltage	200/208/220/230/240VAC		
Operating Voltage Range	Low Line Transfer	160Vac±5% @100%-80% load; 140Vac±5% @80%-70% load; 120Vac±5% @70%-60% load; 110Vac±5% @60%-0% load; (Ambient Temp. <35°C)	
	Low Line Comeback	175Vac±5% @100%-80% load; 155Vac±5% @80%-70% load; 135Vac±5% @70%-60% load; 125Vac±5% @60%-0% load; (Ambient Temp. <35°C)	
	High Line Transfer	300Vac ±5%	
	High Line Comeback	290Vac ±5%	
Operating Frequency Range	40-70Hz		
Power Factor	0.99@100% load (Nominal Input Voltage)		
Bypass Voltage Range	Bypass high voltage point 230-264: setting the high voltage point in LCD from 230Vac to 264Vac. (Default: 264Vac)		
	Bypass low voltage point 170-220: setting the low voltage point in LCD from 170Vac to 220Vac. (Default: 170Vac)		
Generator Input	Support		
OUTPUT			
Output Voltage	200/208/220/230/240Vac		
Power Factor	1.0		
Voltage Regulation	±1%		
Frequency	Line Mode (Synchronized Range)	47-53Hz or 57-63Hz	
	Bat. Mode	(50/60±0.1)Hz	
Crest Factor	3:1		
Harmonic Distortion (THDv)	≤2% THDwith linear load ≤4% THD with non linear load		
Waveform	Pure Sinewave		
Transfer Time	AC Mode <-> Batt. Mode	Zero	
	Inverter <-> Bypass	4ms (Typical)	
Efficiency	Line Mode	88%	92%
	Batt Mode	86%	90%

GLOBAL HEADQUARTERS
(USA AND INTERNATIONAL EXCLUDING EMEA)

Power-Sonic Corporation
365 Cabela Dr Suite 300,
Reno, Nevada 89523
USA
T: +1 619 661 2020
E: customer-service@power-sonic.com

POWER-SONIC EMEA
(EMEA – EUROPE, MIDDLE EAST AND AFRICA)

Smitspol 4, 3861 RS Nijkerk,
The Netherlands
T NL: + 31 33 7410 700
T UK: + 44 1268 560 686
T FR: + 33 344 32 18 17
E: salesEMEA@power-sonic.com

POWERPURE RT SERIES

1-2-3 kVA **1:1** PHASE ONLINE UPS

MODEL	PowerPure RT 1	PowerPure RT 2	PowerPure RT 3
PHASE		Single phase with ground	
Capacity (VA/Watts)	1000VA / 1000W	2000VA / 2000W	3000VA / 3000W
BATTERY			
Battery Type	12V9AH	12V9AH	12V9AH
Numbers	2	4	6
Backup Time	Full load 3~5 minutes; estimated remaining time displayed on the LCD		
Typical Recharge Time (Standard Model)	4 hours recover to 90% capacity (Typical)		
Charging Voltage	27.4 VDC ±1%	54.7 VDC ±1%	82.1 VDC ±1%
Charge Current	2A 12A max, can be setting by LCD	2A 12A max, can be setting by LCD	2A 12A max, can be setting by LCD
SYSTEM FEATURES			
Overload @35°	Line Mode Battery Mode	<p>Ambient Temp.<35°C 105%~110%: UPS transfer to bypass after 10minuteswhen the utility is normal 110%~130%: UPS transfer to bypass after 1minute when the utility is normal 130%~150%: UPS transfer to bypass after 5 seconds when the utility is normal >150%: UPS transfer to bypass immediately when the utility is normal</p> <p>35°C<Ambient Temp.<40°C 105%~110%: UPS transfer to bypass after 1minute when the utility is normal 110%~130%: UPS transfer to bypass after 5 seconds when the utility is normal >130%: UPS transfer to bypass immediately when the utility is normal</p>	
Short Circuit	Hold Whole System		
Overheat	Line Mode: Switch to Bypass; Backup Mode: Shut down UPS immediately		
Low Battery Voltage	Alarm and Switch off		
EPO (optional)	Shut down UPS immediately		
Audible & Visual Alarms	Line Failure, Battery Low, Overload, System Fault		
Communication Interface	USB (or RS232), SNMPcard (optional), Relay card (optional)		
ENVIRONMENTAL			
Operating Temperature	0°C~40°C		
Storage Temperature	-25°C~55°C		
Humidity Range	20-90 % RH @ 0- 40°C (non-condensing)		
Altitude	< 1500m		
Noise Level	Less than 50dBA at 1 Meter		
PHYSICAL			
Dimension W×H×D (mm)	440*86.5*305	440*86.5*460	440*86.5*600
Net Weight (kg)	11.3	19.1	26.2
STANDARDS			
Safety	IEC/EN62040-1,IEC/EN60950-1		
EMC	IEC/EN62040-2,IEC61000-4-2,IEC61000-4-3,IEC61000-4-4, IEC61000-4-5,IEC61000-4-6,IEC61000-4-8		

GLOBAL HEADQUARTERS (USA AND INTERNATIONAL EXCLUDING EMEA)

Power-Sonic Corporation
 365 Cabela Dr Suite 300,
 Reno, Nevada 89523
 USA
T: +1 619 661 2020
E: customer-service@power-sonic.com

POWER-SONIC EMEA (EMEA – EUROPE, MIDDLE EAST AND AFRICA)

Smitzpol 4, 3861 RS Nijkerk,
 The Netherlands
T NL: + 31 33 7410 700
T UK: + 44 1268 560 686
T FR: + 33 344 32 18 17
E: salesEMEA@power-sonic.com

* Derate to 80% of capacity when the output voltage is adjusted to 200/208VAC
 ** Product specifications are subject to change without further notice.



POWERPURE RT SERIES

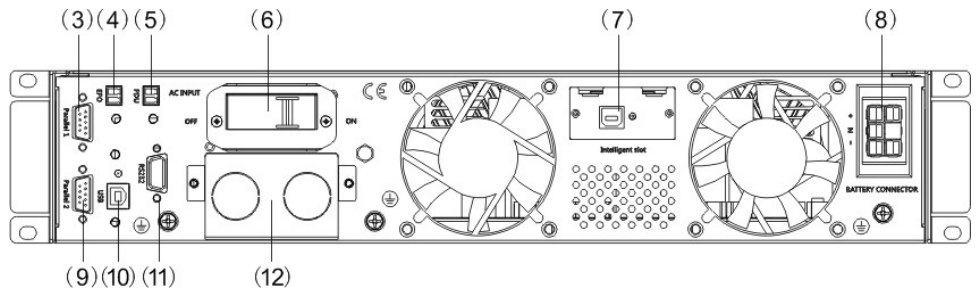
6-10 kVA **1:1**
PHASE

ONLINE UPS



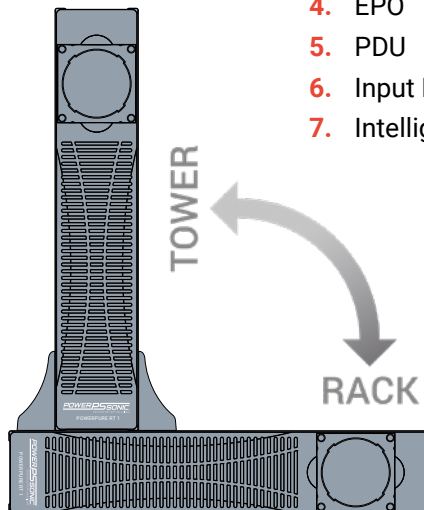
FEATURES

- Online Double Conversion with DSP Control
- High Output Factor at 1.0PF
- Rack/Tower Configuration
- LCD Display with Multifunction Settings
- N+X Parallel Redundancy (up to 4 units can be set in parallel.)
- Cold Start Function
- Low Input Current Distortion
- Efficiency up to 93.5%
- Emergency Power Off
- Eco Operation Mode for Energy Saving
- Temperature Controlled Fan
- Intelligent Battery Management
- Matching battery Packs
- Hot swappable batteries



DETAILS

- | | |
|---------------------|--------------------|
| 3. Parallel Port 1 | 8. Battery Slot |
| 4. EPO | 9. Parallel Port 2 |
| 5. PDU | 10. USB |
| 6. Input Breaker | 11. COM (RS232) |
| 7. Intelligent Slot | 12. Terminal |



◀ Can be used in a rack or tower formation.



GLOBAL HEADQUARTERS (USA AND INTERNATIONAL EXCLUDING EMEA)

Power-Sonic Corporation
365 Cabela Dr Suite 300,
Reno, Nevada 89523
USA
T: +1 619 661 2020
E: customer-service@power-sonic.com

POWER-SONIC EMEA (EMEA – EUROPE, MIDDLE EAST AND AFRICA)

Smitspol 4, 3861 RS Nijkerk,
The Netherlands
T NL: + 31 33 7410 700
T UK: + 44 1268 560 686
T FR: + 33 344 32 18 17
E: salesEMEA@power-sonic.com

POWERPURE RT SERIES

6-10 kVA **1:1** PHASE ONLINE UPS

MODEL	PowerPure RT 6	PowerPure RT 10
Capacity	6kVA/6kW	10kVA/10kW
Type	6kVA ; 10kVA	
INPUT		
Input Mode	Single phase + Ground	
Power Factor	≥0.99	
Rating Voltage	208/220/230/240Vac (can be set)	
Rating Frequency	50Hz/60Hz (auto sensing)	
Voltage Range	120~276Vac	
Frequency Range	45~55Hz/54~66Hz	
Bypass voltage range	220Vac max : 10%, 15%, 20% or 25%, default : 25% 230Vac max : 10%, 15% or 20%, default +20% 240Vac max : +10% or 15%, default +15% min : 20%, 30% or 45%, default 45%	
Bypass frequency range	±1%, ±2%, ±4%, ±5%, ±10%	
THDI	≤3% (100% linear load, input THDV ≤1%) ≤5% (100% non liner load, input THDV ≤1%)	
BATTERY		
Battery Number	20pcs	
Battery Type	VRLA	
Charge Model	Boost charge or float charge auto switch	
Charge Time	Boost charge up to 20Hr (Max)	
Charge Current (A)	1A (S)/10A (H)	
OUTPUT		
Output Type	Single phase + Ground	
Output Precision	±1.0% ;	
Voltage Distortion (THD)	≤2% at 100% liner load ≤5% at 100% non-liner load	
Rating Voltage	208/220/230V/240Vac	
Frequency Precision	±0.1%	
Rating Frequency	50Hz/60Hz	
Frequency Track Speed	1Hz/s	
Overload	105%~110%, 10min 110%~130% 1min ≥130% 200ms	
Peak Value Factor	3:1	
Efficiency at Normal	≥93%	
Dynamic Respond	5.0% 20ms	
DC Injection	≤500mV	
SWITCH TIME		
Between Normal mode and battery mode	0ms	
Between inverter and bypass	0ms unlock : <15ms (50Hz), <13.33ms (60Hz)	
ENVIRONMENT & STANDARDS		
Noise	<55dB (1m)	
Display	LCD+LED	
Safety	Meeting IEC62040-1 GB4943.	
Max Input Voltage	320Vac, 1Hr	
EMI	Conduction : IEC 62040-2	Radiation : IEC 62040-2 Harmonics : IEC 62040-2
EMS	IEC 62040-2	
MTBF	250,000Hr 1 + 1 400,000Hr	
MTTR	30min	
Isolation resistance	> 2MΩ (500Vdc)	
Isolation intension	2820Vdc, <3.5mA, 1min	
Surge	Meeting IEC60664-1 1.2/50uS+8/20uS 6kV/3kA.	
Protection	IP20	
Parallel circumfluence	1 + 1≤8%, N + 1≤3%	
Parallel equal current	1 + 1≤8%, N + 1≤10%	
PHYSICAL		
Dimension W×H×D (mm) and Net Weight (kg)	440*86.5*625 13kg	440*86.5*625 15kg

GLOBAL HEADQUARTERS (USA AND INTERNATIONAL EXCLUDING EMEA)

Power-Sonic Corporation
365 Cabela Dr Suite 300,
Reno, Nevada 89523
USA
T: +1 619 661 2020
E: customer-service@power-sonic.com

POWER-SONIC EMEA (EMEA – EUROPE, MIDDLE EAST AND AFRICA)

Smitspol 4, 3861 RS Nijkerk,
The Netherlands
T NL: + 31 33 7410 700
T UK: + 44 1268 560 686
T FR: + 33 344 32 18 17
E: salesEMEA@power-sonic.com