

# Busbar 250 A with cover

www.victronenergy.com

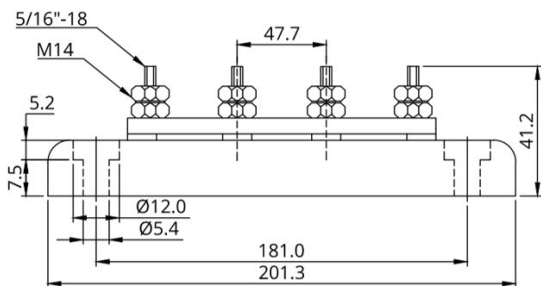
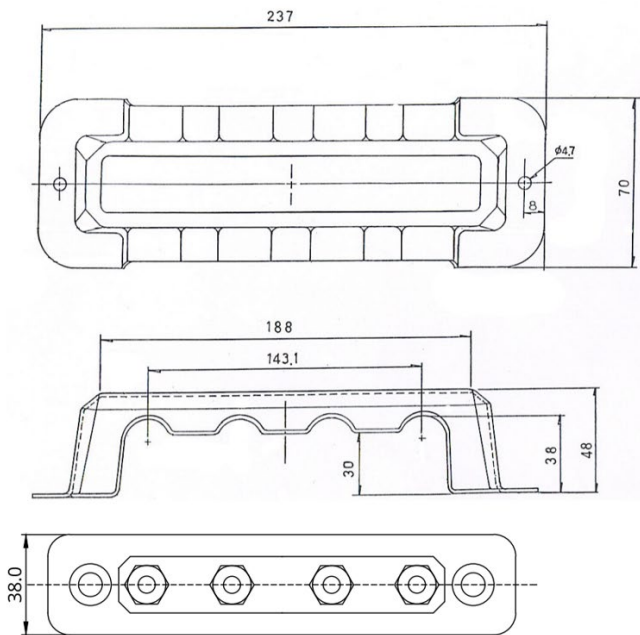


Busbar 250 A with 4 terminals without cover

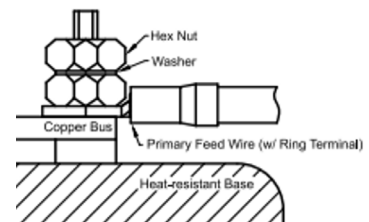


Cover for busbar 250 A with 4 terminals

Busbar 250 A with cover	
Max. current rating	250 A
Max. Voltage rating	70 VDC
Terminal diameter	5/16 inch / 8 mm
Terminal height	0.67 inch / 17 mm
Terminal material	Stainless steel
Hex nut material	Tin-plated copper
Recommended torque	110 lbf-inch / 13 N-m
Busbar strip material	Tin-plated copper (5 x 24 mm)
Base material	ABS, black, UL 94 V-0
Cover material	ABS, black, UL 94 V-2
Weight, 4 terminals	1.0 lb / 0,45 kg
Dimensions (hwxwd) (with cover)	1.9 x 9.4 x 2.8 inch 48 x 237 x 70 mm



Busbar 250 A with 4 stud terminals and cover



Recommended mounting