

Manual EN

Handleiding NL

Manuel FR

Anleitung DE

Manual ES

Användarhandbok SE

Manuale IT

Appendix

**EasySolar-II 48/3000/35-32 230V MPPT 250/70 GX
(PMP482307010)**

1. Introduction

The Victron EasySolar-II GX integrates the following elements:

- A powerful MultiPlus-II inverter/charger
- A SmartSolar MPPT solar charge controller
- A GX device with a 2x 16 character display

These elements come prewired, and preconfigured together inside a single unit. This greatly simplifies most installations, saving time and money.

This document explains how all components fit together, how to install the product, and what documentation to use for configuration and other details of its individual parts.

This document explains:

- Features
- Behaviour
- Specifications
- Limitations
- Installation instructions
- Troubleshooting steps

You must read it to understand how to use your product safely and reliably.

This manual applies to:

- EasySolar-II GX 48/3000/35-32

2. Latest Documentation

You can quickly access the latest version of this manual online by visiting the following link:

<https://docs.victronenergy.com/easysolar-ii-gx.html>



3. Safety Instructions

Please read the documentation supplied with this product first, so that you are familiar with the safety signs and directions before using the product. This product is designed and tested in accordance with international standards. The product should be used for the designated application only.

WARNING: DANGER OF ELECTRICAL SHOCK

The product is used in combination with a permanent energy source (battery). Even if the product is switched off, a dangerous electrical voltage can occur at the input and/or output terminals. Always switch the AC power off and disconnect the battery before performing maintenance.

The product contains no internal user-serviceable parts. Do not remove the front panel and do not put the product into operation unless all panels are fitted. All maintenance should be performed by qualified personnel.

Never use the product at sites where gas or dust explosions could occur. Refer to the specifications provided by the manufacturer of the battery to ensure that the battery is suitable for use with this product. The battery manufacturer's safety instructions should always be observed.

This product is not intended for use by persons (including children) with reduced physical, sensory or mental capabilities, or lack of experience and knowledge, unless they have been given supervision or instruction concerning use of the product by a person responsible for their safety. Children should be supervised to ensure that they do not play with the product.

WARNING: Do not lift heavy objects unassisted

3.1 Transport and storage

On storage or transport of the product, ensure that the mains supply and battery leads are disconnected.

No liability can be accepted for damage in transit if the equipment is not transported in its original packaging.

Store the product in a dry environment; the storage temperature should range from -20°C to 60°C .

Refer to the battery manufacturer's manual for information on transport, storage, charging, recharging and disposal of the battery.

Protect the solar modules from incident light during installation, e.g. cover them.

Never touch uninsulated cable ends.

Use only insulated tools.

3.2 Grounding

Battery grounding: this device can be installed in a positive or negative grounded system.

Note: apply a single ground connection (preferably close to the battery) to prevent malfunctioning of the system.

- Chassis grounding: A separate earth path for the chassis ground is permitted because it is isolated from the positive and negative terminal.
- The USA National Electrical Code (NEC) requires the use of an external ground fault protection device (GFPD). These MPPT chargers do not have internal ground fault protection. The system electrical negative should be bonded through a GFPD to earth ground at one (and only one) location.
- The charger must not be connected with grounded PV arrays. (one ground connection only)
- The positive and negative of the PV array should not be grounded. Ground the frame of the PV panels to reduce the impact of lightning.

****WHEN A GROUND FAULT IS INDICATED, BATTERY TERMINALS AND CONNECTED CIRCUITS MAY BE UNGROUNDED AND HAZARDOUS**

4. Product Description

The basis of the product is an extremely powerful sine inverter, battery charger and transfer switch in a compact casing. It is suited for use in Marine, Automotive, as well as stationary land-based applications.

4.1. Features applying to all applications

4.1.1 GX LCD display

A backlit 2 x 16 character display screen shows system parameters.

4.1.2 BMS-Can Connections

The BMS-Can connection allows connecting of compatible 500 kbps CAN-bus BMS batteries. VE.Can products as for example Victron MPPT Solar Chargers, or a Lynx Shunt VE.Can are NOT supported.

4.1.3 Ethernet and Wifi

Ethernet and Wifi connections allow for local and remote system monitoring, as well as connection to Victron's free VRM portal for long term system performance information.

4.1.4 Automatic and uninterruptible switching

In the event of a supply failure or when the generating set is switched off, the product will switch over to inverter operation and take over the supply of the connected devices. This is done so quickly that operation of computers and other electronic devices is not disturbed (Uninterruptible Power Supply or UPS functionality). This makes the product highly suitable as an emergency power system in industrial and telecommunication applications.

4.1.5 Two AC outputs

Besides the usual uninterruptible output (AC-out-1), an auxiliary output (AC-out-2) is available that disconnects its load in the event of battery operation. Example: an electric boiler that is allowed to operate only if the genset is running or shore power is available. There are several applications for AC-out-2.

4.1.6 Three phase capability

The unit can be connected with others and configured for three-phase output. Up to 6 sets of three can be parallel connected to provide 45 kW / 54 kVA inverter power and more than 600A charging capacity.

4.1.7 PowerControl – maximum use of limited AC power

The product can supply a huge charging current. This implies heavy loading of the AC mains or generator. Therefore a maximum current can be set. The product then takes other power users into account, and only uses 'surplus' current for charging purposes.

4.1.8 PowerAssist – Extended use of generator or shore current

This feature takes the principle of PowerControl to a further dimension allowing the product to supplement the capacity of the alternative source. Where peak power is often required only for a limited period, the product will make sure that insufficient AC mains or generator power is immediately compensated for by power from the battery. When the load reduces, the spare power is used to recharge the battery.

4.1.9 Programmable

All settings can be changed with a PC and free of charge software, downloadable from our website www.victronenergy.com. See this manual for more information - <https://docs.victronenergy.com/veconfigure.html>

4.1.10 Programmable relay

The product is equipped with a programmable relay. The relay can be programmed for different applications, for example as a [starter relay for a generator](#).

4.1.11 External current transformer (optional)

External current transformer option to implement PowerControl and PowerAssist with external current sensing.

4.1.12 Programmable analog/digital input/output ports (Aux in 1 and Aux in 2, see appendix)

The product is equipped with 2 analog/digital input/output ports.

These ports can be used for several purposes. One application is communication with the BMS of a lithium-ion battery

4.2 Features specific on-grid and off-grid systems combined with PV

4.2.1 External current transformer (optional)

When used in a grid-parallel topology the internal current transformer cannot measure the current to or from the mains. In this case an external current transformer has to be used. See appendix A. Contact your Victron Distributor for further information about this installation type.

4.2.2 Frequency shift

When solar inverters are connected to the AC-output of the product, excess solar energy is used to recharge the batteries. Once the absorption voltage is reached, charge current will reduce and excess energy will be fed back into the mains. If the mains is not available, the product will slightly increase the AC frequency to reduce the output of the solar inverter.

4.2.3 Built-in Battery Monitor

The ideal solution when the product is part of a hybrid system (diesel generator, inverter/chargers, storage battery, and alternative energy). The built-in battery monitor can be set to start and stop the generator:

- Start at a preset % discharge level, and/or
- start (with a preset delay) at a preset battery voltage, and/or
- start (with a preset delay) at a preset load level.
- Stop at a preset battery voltage, or
- stop (with a preset delay) after the bulk charge phase has been completed, and/or
- stop (with a preset delay) at a preset load level.

4.2.4 Autonomous operation when the grid fails

Houses or buildings with solar panels or a combined micro-scale heating and power plant or other sustainable energy sources have a potential autonomous energy supply which can be used for powering essential equipment (central heating pumps, refrigerators, deep freeze units, Internet connections, etc.) during a power failure. A problem is however that grid connected sustainable energy sources drop out as soon as the grid fails. With the product and batteries, this problem can be solved: **the product can replace the grid during a power failure**. When the sustainable energy sources produce more power than needed, the product will use the surplus to charge the batteries; in the event of a shortfall, the product will supply additional power from the battery

4.3 Battery charger

4.3.1 Lead-acid batteries

Adaptive 4-stage charge algorithm: bulk – absorption – float – storage

The microprocessor-driven adaptive battery management system can be adjusted for various types of batteries. The adaptive function automatically adapts the charging process to battery use.

The right amount of charge: variable absorption time

In the event of slight battery discharge, absorption is kept short to prevent overcharging and excessive gas formation. After deep discharging, the absorption time is automatically extended in order to fully charge the battery.

Preventing damage due to excessive gassing: the BatterySafe mode

If, in order to quickly charge a battery, a high charge current in combination with a high absorption voltage has been chosen, damage due to excessive gassing will be prevented by automatically limiting the rate of voltage increase once the gassing voltage has been reached.

Less maintenance and aging when the battery is not in use: the Storage mode

The Storage mode kicks in whenever the battery has not been subjected to discharge during 24 hours. In the Storage mode float voltage is reduced to 2,2V/cell (13,2V for 12V battery) to minimise gassing and corrosion of the positive plates. Once a week the voltage is raised back to the absorption level to 'equalize' the battery. This feature prevents stratification of the electrolyte and sulphation, a major cause of early battery failure.

Battery voltage sense: the correct charge voltage

Voltage loss due to cable resistance can be compensated by using the voltage sense facility to measure voltage directly on the DC bus or on the battery terminals.

Battery voltage and temperature compensation

The temperature sensor (supplied with the product) serves to reduce charging voltage when battery temperature rises. This is particularly important for maintenance-free batteries, which could otherwise dry out by overcharging.

4.3.2 Li-ion batteries

Victron LiFePO4 Smart batteries

Use the VE.Bus BMS

4.3.3 Other Li-ion batteries

Please see https://www.victronenergy.com/live/battery_compatibility:start

4.3.4 More on batteries and battery charging

Our book 'Energy Unlimited' offers further information on batteries and battery charging, and is available free of charge on our website: www.victronenergy.com/support-and-downloads/whitepapers

For more information on adaptive charging, please also refer to the General Technical Information on our website.

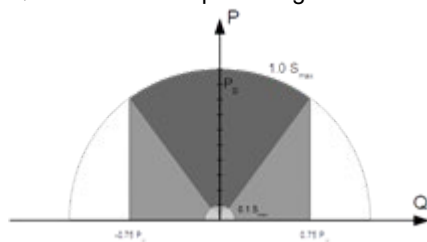
4.4 ESS – Energy Storage Systems: feeding energy back into the grid

When the product is used in a configuration in which it will feed back energy into the grid it is required to enable grid code compliance by selecting the appropriate grid code country setting with the VEConfigure tool.

Once set, a password will be required to disable grid code compliance or change grid code related parameters. Contact your Victron Distributor if you require this password.

Depending on the grid code there are several reactive Power control modes:

- Fixed $\cos \varphi$
- $\cos \varphi$ as function of P
- Fixed Q
- Q as function of input voltage



If the local grid code is not supported by the product an external certified interface device should be used to connect the product to the grid.

The product can also be used as a bidirectional inverter operating parallel to the grid, integrated into a customer designed system (PLC or other) that takes care of the control-loop and grid measurement,

Special note regarding NRS-097 (South Africa)

1. The maximum allowed impedance of the network is $0.28\Omega + j0.18\Omega$
2. The inverter is fulfilling the unbalance requirement in case of multiple single phase units only when the Color Control GX is part of the installation.

Special notes regarding AS 4777.2 (Australia/New Zealand)

1. Certification and CEC approval for off-grid use does NOT imply approval for grid-interactive installations. Additional certification to IEC 62109.2 and AS 4777.2.2015 are required before grid-interactive systems can be implemented. Please check the Clean Energy Council website for current approvals.
2. DRM – Demand Response Mode When the AS4777.2 grid code has been selected in VEConfigure, DRM 0 functionality is available on port AUX1 (see appendix A. To enable grid connection, a resistance of between 5kOhm and 16kOhm must be present between the terminals of port AUX1 (marked + and -). The product will disconnect from the grid in case of an open circuit or a short circuit between the terminals of port AUX1. The maximum voltage that may be present between the terminals of port AUX1 is 5V. Alternatively, if DRM 0 is not required, this functionality can be disabled with VEConfigure.

5. Operation

On/Off/Charger Only Switch

The switch is located on the underside to the bottom right of the product.

The switch has three positions. The centre position 0 is Off. The I position is On, and the II position is Charger Only.

When switched to 'I / On' (rocked towards the front of the unit), the product will come into operation and the inverter is fully functional.

If an AC voltage is connected to the 'AC in' terminal, it will be switched through to the 'AC out' terminal, if within specifications. The inverter will switch off, and the charger commences charging. 'Bulk', 'Absorption' or 'Float' will display, depending on the charger mode.

If the voltage at the 'AC-in' terminal is rejected, the inverter will switch on.

When the switch is switched to 'II / Charger Only', only the battery charger of the Multi will operate (if mains voltage is present). In this mode input voltage also is switched through to the 'AC out' terminal.

NOTE: When only the charger function is required, ensure that the switch is switched to 'II / Charger Only'. This prevents the inverter from being switched on if the mains voltage is lost, thus preventing your batteries from running flat.

6. GX LCD Interface

The display screen will present useful information about your system.

6.1 On/off behaviour

When the product is switched off with the physical switch on the device or with the Remote On/Off terminals, then the GX card is off as well. If you switch the product remotely, using a Digital Multi Control, then the GX card will remain powered. Also when switching the inverter/charger off from within the GX menus, the GX card will remain powered.

Lastly, when the inverter/charger switches itself off due to an alarm, such as low battery or overtemperature, then the GX card will remain powered and functional as well.

6.2 Push button behaviour

When the GX Card is on, pushing the button beside the screen will activate the backlight. The backlight will turn itself off after 5 minutes.

Once the backlight has been activated, pushing the button again will cycle through the available display options. Some options will be displayed automatically, and others require a button push to display.

6.3 Information displayed

- Solar Power, Voltage and Charge state (if connected)
- ESS/DVCC reason codes (if active)
- Solar Daily Yield
- Inverter/charger charge state (eg Bulk, ESS)
- Battery State of Charge, Power and Voltage
- Network IP Address and Connection Type (if connected).
- AC input and output Power

In a system with more than one phase, there will be additional AC input and output information available, eg

- Phase 1 AC input Voltage and Power.
- Phase 1 AC output Voltage and Power.
- Phase 2 AC input Voltage and Power.
- Phase 2 AC output Voltage and Power.
- Phase 3 AC input Voltage and Power.
- Phase 3 AC output Voltage and Power.

6.4 Error Code Display

If there is an error with the system, the error code will be displayed on the screen. The screen will display VE.Bus error code numbers, and MPPT error codes (if connected).

Basic information about the VE.Bus Error codes are in the Error Indications section.

For further details about the error codes please see:

[VE.Bus Error Codes](#)

[MPPT Error Codes](#)

The error will display until it is cleared.

7. Connection of PV Array

7.1 Sizing the array

We recommend to use the [MPPT Sizing Calculator available on our website](#).

- The solar charge controller will operate only if the PV voltage exceeds battery voltage (V_{bat}).
- PV voltage must exceed $V_{bat} + 5V$ for the controller to start. Thereafter minimum PV voltage is $V_{bat} + 1V$.
- Maximum PV Array open circuit voltage is 250V.
- Maximum PV Array short circuit current is 35A.

For example:

- Minimum number of cells in series: 144 (4x 12V panel or 2x 24V panel in series).
- Maximum: 360 cells (10x 12V or 5x 24 panel in series).

Remark: at low temperature, the open circuit voltage of a 360 cell array may exceed 250V, depending on local conditions and cell specifications. In that case, the number of cells in series must be reduced.

The MPPT component of the EasySolar-II GX is pre-programmed to 48V to match the requirements of the included inverter/charger.

7.2 Connection

1. Connect the battery.
2. Connect the solar array to the M6 solar bolts. Note: if connected with reverse polarity, the controller will heat up but will not charge the battery.

Note that the 100 Amp fuse is not end-user replaceable. When blown, the unit must be returned to a service agent for repair. It only blows after other components in the device have failed

8. Installation

This product contains potentially dangerous voltages. It should only be installed under the supervision of a suitable qualified installer with the appropriate training, and subject to local requirements. Please contact Victron Energy for further information or necessary training

8.1 Location

The product must be installed in a dry and well-ventilated area, as close as possible to the batteries. There should be a clear space of at least 10 cm around the product for cooling.

WARNING: Excessively high ambient temperature will result in the following:

- Reduced service life.
- Reduced charging current.
- Reduced peak capacity, or shutdown of the inverter. Never position the appliance directly above the batteries.

This product is suitable for wall mounting. For mounting purposes, a hook and two holes are provided at the back of the casing (see appendix G). The device can be fitted either horizontally or vertically. For optimal cooling, vertical fitting is preferred.

WARNING: The interior of the product must remain accessible after installation.

Try and keep the distance between the product and the battery to a minimum in order to minimize cable voltage losses. For safety purposes, this product should be installed in a heat-resistant environment. You should prevent the presence of e.g. chemicals, synthetic components, curtains or other textiles, etc., in the immediate vicinity.

8.2 Connection of battery cables

In order to utilize the full capacity of the product, batteries with sufficient capacity and battery cables with sufficient cross section should be used. See table.

	48/3000/35
Recommended battery capacity (Ah)	100–400
Recommended DC fuse	125 A
Recommended cross section (mm ²) per + and - connection terminal	
0 – 5 m	35 mm ²
5 – 10 m	70 mm ²

Remark: Internal resistance is the important factor when working with low capacity batteries. Please consult your supplier or the relevant sections of our book 'Energy Unlimited', downloadable from our website.

8.3 Battery Connection Procedure

Proceed as follows to connect the battery cables:

WARNING: Use a torque wrench with insulated box spanner in order to avoid shorting the battery.
Maximum torque: 14 Nm Avoid shorting the battery cables.

WARNING: Specific care and attention must be taken when making the battery connections. Correct polarity must be confirmed with a multimeter before connection. Connecting a battery with incorrect polarity will destroy the device and is not covered by warranty.

- Undo the two screws at the bottom of the enclosure and remove the service panel.
- Connect the battery cables. First the - cable then the +. Be aware that there may be a spark when making the battery connections.
- Tighten the nuts to the prescribed torques for minimal contact resistance.

8.4 Connection of the AC cabling

WARNING

This is a safety class I product (supplied with a ground terminal for safety purposes). **Its AC input and/or output terminals and/or grounding point on the inside of the product must be provided with an uninterruptible grounding point for safety purposes.** see Appendix A.

In a fixed installation, an uninterruptible grounding can be secured by means of the grounding wire of the AC input. Otherwise the casing must be grounded.

This product is provided with a ground relay (relay H, see Appendix B) that **automatically connects the Neutral output to the chassis if no external AC supply is available.** If an external AC supply is provided, the ground relay H will open before the input safety relay closes. This ensures the correct operation of an earth leakage circuit breaker that is connected to the output.

In a mobile installation (for example, with a shore current plug), interrupting the shore connection will simultaneously disconnect the grounding connection. In that case, the casing must be connected to the chassis (of the vehicle) or to the hull or grounding plate (of the boat). In case of a boat, direct connection to the shore ground is not recommended because of potential galvanic corrosion. The solution to this is using an isolation transformer. **Torque: 2 Nm**

The terminal blocks can be found on the printed circuit board, see Appendix A.

Do not invert neutral and phase when connecting the AC.

The inverter does incorporate a mains frequency isolating transformer. This precludes the possibility of DC current at any AC port. Therefore type A RCD's can be used.

- **AC-in** The AC input cable can be connected to the terminal block 'AC-in'. From left to right: "N" (neutral), "PE" (earth) and "L" (phase) **The AC input must be protected by a fuse or magnetic circuit breaker rated at 32A or less, and cable cross-section must be sized accordingly.** If the input AC supply is rated at a lower value, the fuse or magnetic circuit breaker should be down sized accordingly.
- **AC-out-1** The AC output cable can be connected directly to the terminal block 'AC-out'. From left to right: "N" (neutral), "PE" (earth) and "L" (phase) With its PowerAssist feature the Multi can add up to 3kVA (that is 3000 / 230 = 13A) to the output during periods of peak power requirement. Together with a maximum input current of 32A this means that the output can supply up to 32 + 13 = 45 A. An earth leakage circuit breaker and a fuse or circuit breaker rated to support the expected load must be included in series with the output, and cable cross-section must be sized accordingly.
- **AC-out-2** A second output is available that disconnects its load in the event of battery operation. On these terminals, equipment is connected that may only operate if AC voltage is available on AC-in-1, e.g. an electric boiler or an air conditioner. The load on AC-out-2 is disconnected immediately when the inverter/charger switches to battery operation. After AC power becomes available on AC-in-1, the load on AC-out-2 will be reconnected with a delay of approximately 2 minutes. This to allow a genset to stabilise

8.5 Optional Connections

A number of optional connections are possible:

8.5.1 Remote Control

The product can be remotely controlled in two ways.

- With an external switch (connection terminal M, see Appendix A). Operates only if the switch on the device is set to "on".
- With a Digital Multi Control panel (connected to one of the two RJ45 sockets L, see Appendix A). Operates only if the switch on the device is set to "on"

The Digital Multi Control panel has a rotary knob with which the maximum current of the AC input can be set: see PowerControl and PowerAssist.

8.5.2 Programmable relay

The product is equipped with a programmable relay.

The relay can be programmed for all kinds of other applications, for example as a starter relay for a generator.

8.5.3 Programmable analog/digital input/output ports

The product is equipped with 2 analog/digital input/output ports.

These ports can be used for several purposes. One application is communication with the BMS of a lithium-ion battery.

8.5.4 Voltage sense (connection terminal J, see Appendix A)

For compensating possible cable losses during charging, two sense wires can be connected with which the voltage directly on the battery or on the positive and negative distribution points can be measured. Use wire with a cross-section of 0,75mm².

During battery charging, the inverter/charger will compensate the voltage drop over the DC cables up to a maximum of 1 Volt (i.e. 1V over the positive connection and 1V over the negative connection). If the voltage drop threatens to become larger than 1V, the charging current is limited in such a way that the voltage drop remains limited to 1V.

8.5.5 Temperature sensor (connection terminal J, see Appendix A)

For temperature-compensated charging, the temperature sensor (supplied with the inverter/charger) can be connected. The sensor is isolated and must be fitted to the negative terminal of the battery.

8.5.6 Parallel Connection

It is required to use identical units for three phase and parallel systems. In this case, as only one GX device is allowed per system, if you wish to parallel and/or three phase with this product, you must find the same model MultiPlus-II to pair. To assist with finding identical units, consider instead using MultiPlus-II for parallel and three phase systems, and an external GX device.

Up to six units can be connected in parallel. When connecting this product with MultiPlus-II in a parallel system, the following requirements must be met:

WARNING

- It is essential the negative battery terminal between the units is always connected. A fuse or circuit breaker is not allowed on the negative.
- All units must be connected to the same battery.
- A maximum of six units connected in parallel.
- The devices must be identical (aside from GX part) and have the same firmware.
- The DC connection cables to the devices must be of equal length and cross-section.
- If a positive and a negative DC distribution point is used, the cross-section of the connection between the batteries and the DC distribution point must at least equal the sum of the required cross-sections of the connections between the distribution point and the units.
- Always interconnect the negative battery cables before placing the UTP cables.
- Place the units close to each other, but allow at least 10cm for ventilation purposes under, above and beside the units.
- UTP cables must be connected directly from one unit to the other (and to the remote panel). Connection or splitter boxes are not permitted.
- Only one remote control means (panel or switch) can be connected to the **system**. That means only one GX.

8.5.7 Three-phase operation

The product can also be used in 3-phase wye (Y) configuration. To this end, a connection between the devices is made by means of standard RJ45 UTP cables (the same as for parallel operation). The **system** will require subsequent configuration.

Pre-requisites: see Section Voltage Sense

1. Note: the product is not suitable for 3-phase delta (Δ) configuration.
2. When the AS4777.2 grid code has been selected in VEConfigure, only 2 units in parallel per phase are allowed in a three phase system.

For full details on parallel and three-phase configuration always discuss with your Victron distributor first and please see this specific manual: https://www.victronenergy.com/live/ve.bus:manual_parallel_and_three_phase_systems

8.5.8 Connection to the VRM Portal

Connection of the product to VRM requires an internet connection. This can be made via wifi, or preferably a hardwired ethernet cable to an internet connected router.

The VRM site id is located on a sticker inside the cable connections area of the device.

For more information to set up VRM, refer to the [VRM Getting Started Manua](#)

9. Configuration

This section is intended mainly for stand-alone applications

For grid connected Energy Storage Systems (ESS) please see <https://www.victronenergy.com/live/ess:start>

- Settings may only be changed by a suitable qualified installer with the appropriate training, and subject to local requirements. Please contact Victron for further information or necessary training.
- Read the instructions thoroughly before implementing changes.
- During setting of the charger, the AC input must be removed.

9.1 Standard settings: ready for use

On delivery, the product is set to standard factory values. In general, these settings are suitable for single-unit operation.

WARNING

Possibly, the standard battery charging voltage is not suitable for your batteries! Refer to the manufacturer's documentation, or to your battery supplier!

Standard factory settings

Setting	Value
Inverter frequency	50 Hz
Input frequency range	45 – 65 Hz
Input voltage range	180 – 265 VAC
Inverter voltage	230 VAC
Stand-alone / parallel / 3-phase	stand-alone
AES (Automatic Economy Switch)	off
Ground relay	on
Charger on / off	on
Battery charge curve	four-stage adaptive with BatterySafe mode
Charging current	100% of the maximum charging current
Battery type	Victron Gel Deep Discharge (also suitable for Victron AGM Deep Discharge)
Automatic equalisation charging	Off
Absorption voltage	57.6V
Absorption time	up to 8 hours (depending on bulk time)
Float voltage	55.2V
Storage voltage	52.8V (not adjustable)
Repeated absorption time	1 hour
Absorption repeat interval	7 days
Bulk protection	on
AC input current limit	32A (= adjustable current limit for PowerControl and PowerAssist functions)
UPS feature	on
Dynamic current limiter	off
WeakAC	off
BoostFactor	2
Programmable relay	alarm function
PowerAssist	on

9.2 Explanation of settings

Settings that are not self-explanatory are described briefly below. For further information, please refer to the help files in the software configuration programs.

Inverter frequency

Output frequency if no AC is present at the input.

Adjustability: 50 Hz; 60 Hz

Input frequency range

Input frequency range accepted. The product synchronises within this range with the AC input frequency. The output frequency is then equal to the input frequency.

Adjustability: 45 – 65 Hz; 45 – 55 Hz; 55 – 65 Hz

Input voltage range

Voltage range accepted. The product synchronises within this range with the AC input. The output voltage is then equal to the input voltage.

Adjustability:

Lower limit: 180 – 230V

Upper limit: 230 – 270V

Note : the standard lower limit setting of 180V is intended for connection to a weak mains supply, or to a generator with unstable AC output. This setting may result in a system shut down when connected to a 'brushless, self excited, externally voltage regulated, synchronous AC generator' (synchronous AVR generator). Most generators rated at 10kVA or more are synchronous AVR generators. The shut down is initiated when the generator is stopped and revs down while the AVR simultaneously 'tries' to keep the output voltage of the generator at 230V.

The solution is to increase the lower limit setting to 210VAC (the output of AVR generators is generally very stable), or to disconnect the product from the generator when a generator stop signal is given (with help of an AC contactor installed in series with the generator).

Inverter voltage

Output voltage in battery operation.

Adjustability: 210 – 245V

Stand-alone / parallel operation / 2-3 phase setting

Using multiple devices, it is possible to:

- increase total inverter power (several devices in parallel)
- create a split-phase system with a separate autotransformer: see VE autotransformer datasheet and manual
- create a 3-phase system.

The standard product settings are for a single device in stand alone operation.

AES (Automatic Economy Switch)

If this setting is turned 'on', the power consumption in no-load operation and with low loads is decreased by approx. 20%, by slightly 'narrowing' the sinusoidal voltage. Applicable in stand-alone configuration only.

Search Mode

Instead of the AES mode, the **search mode** can also be chosen. If search mode is 'on', the power consumption in no-load operation is decreased by approx. 70%. In this mode the product, when operating in inverter mode, is switched off in case of no load or very low load, and switches on every two seconds for a short period. If the output current exceeds a set level, the inverter will continue to operate. If not, the inverter will shut down again.

The Search Mode 'shut down' and 'remain on' load levels can be set with VEConfigure.

The default settings are:

Action	Threshold
Shut down	40 Watt (linear load)
Turn on	100 Watt (linear load)

Ground relay (see appendix B)

With this relay, the neutral conductor of the AC output is grounded to the chassis when the back feed safety relays are open. This ensures the correct operation of earth leakage circuit breakers in the output. If required an external ground relay can be connected (for a split-phase system with a separate autotransformer). See appendix A.

Battery charge algorithm

The standard setting is 'Four-stage adaptive with BatterySafe mode'.

This is the recommended charge algorithm for lead acid batteries. See the help files in the software configuration programs for other features.

Battery type

The standard setting is the most suitable for Victron Gel Deep Discharge, Gel Exide A200, and tubular plate stationary batteries (OPzS). This setting can also be used for many other batteries: e.g. Victron AGM Deep Discharge and other AGM batteries, and many types of flat-plate flooded batteries.

With VEConfigure the charge algorithm can be adjusted to charge any battery type (Nickel Cadmium batteries, Lithium-ion batteries)

Absorption time

In case of the standard setting 'Four-stage adaptive with BatterySafe mode' the absorption time depends on the bulk time (adaptive charge curve), so that the battery is optimally charged.

9.2.1 Equalisation

Traction batteries require regular additional charging. In the equalisation mode, the product will charge with increased voltage for one hour (4V for a 48V battery). The charging current is then limited to 1/4 of the set value.

Equalisation mode supplies a higher charging voltage than most DC consuming devices can cope with. These devices must be disconnected before additional charging takes place.

Automatic equalisation charging

This setting is intended for flooded tubular plate traction or OPzS batteries. During absorption the voltage limit increases to 2,83V/cell (68V for a 48V battery) once the charge current has tapered down to less than 10% of the set maximum current.

See 'tubular plate traction battery charge curve' in VEConfigure.

Storage voltage, Repeated Absorption Time, Absorption Repeat Interval

See Appendix E.

Bulk Protection

When this setting is 'on', the bulk charging time is limited to 10 hours. A longer charging time could indicate a system error (e.g. a battery cell short-circuit).

AC input current limit

These are the current limit settings for which PowerControl and PowerAssist come into operation.

PowerAssist setting range: from 5,3A to 32A.

Factory setting: the maximum value (32A).

UPS feature

If this setting is 'on' and AC on the input fails, the product switches to inverter operation practically without interruption. The output voltage of some small generator sets is too unstable and distorted for using this setting – the product would continually switch to inverter operation. For this reason, the setting can be turned off. The product will then respond less quickly to AC input voltage deviations. The switchover time to inverter operation is consequently slightly longer, but most equipment (most computers, clocks or household equipment) is not adversely impacted.

Recommendation: Turn the UPS feature off if the product fails to synchronise, or continually switches back to inverter operation.

Dynamic current limiter

Intended for generators, the AC voltage being generated by means of a static inverter (so-called 'inverter' generators). In these generators, engine rpm is reduced in case of low load: this reduces noise, fuel consumption and pollution. A disadvantage is that the output voltage will drop severely or even completely fail in the event of a sudden load increase. More load can only be supplied after the engine is up to speed.

If this setting is 'on', the device will start supplying extra power at a low generator output level and gradually allow the generator to supply more, until the set current limit is reached. This allows the generator engine to get up to speed. This setting is also often used for 'classical' generators that respond slowly to sudden load variation.

Weak AC

Strong distortion of the input voltage can result in the charger hardly operating or not operating at all. If WeakAC is set, the charger will also accept a strongly distorted voltage, at the cost of greater distortion of the input current.

Recommendation: Turn WeakAC on if the charger is hardly charging or not charging at all (which is quite rare!). Also turn on the dynamic current limiter simultaneously, and reduce the maximum charging current to prevent overloading the generator if necessary.

Note: when WeakAC is on, the maximum charge current is reduced by approximately 20%.

BoostFactor This value adjusts the PowerAssist behaviour. If you are experiencing issues with PowerAssist (e.g. overload), please consult with a specialist trained by Victron Energy before attempting to modify.

Programmable relay

The device is equipped with multiple programmable relays. These relays can be programmed for all kinds of other applications, for example as a starter relay for a generator.

Auxiliary AC output (AC-out-2)

Intended for non-critical loads and directly connected to the AC input. With current measurement circuit to enable PowerAssist.

9.3 Inverter/charger

For more information regarding the configuration of the Inverter/Charger component of the EasySolar-II GX, please see the [MultiPlus-II manuals](#)

Full programming functionality of the Inverter/charger requires use of a laptop computer with [VEConfigure](#). Limited configuration is possible with [VictronConnect](#)

9.4 SmartSolar MPPT 250/70 charge controller

The Solar Charger is configured using VictronConnect. The easiest method of connecting to the Solar Charger part is via Bluetooth. This works for Android, iOS and macOS. It does not work for Windows.

When required to use Windows, unplug the VE.Direct cable from the Solar Charger, and use a [VE.Direct USB interface cable](#) to your Windows laptop. Once completed, reconnect the VE.Direct cable that runs between the internal GX device and the Solar Charger.

For the complete documentation for the MPPT included inside the EasySolar-II GX, please refer to these documents:

- [SmartSolar MPPT 250/70 documentation](#)
- [VictronConnect MPPT Solar Chargers](#)
- [VictronConnect manual](#)

10. Maintenance

The product does not require specific maintenance. It will suffice to check all connections once a year. Avoid moisture and oil/soot/vapours, and keep the device clean.

11. Error Indications

With the procedures below, most errors can be quickly identified. If an error cannot be resolved, please refer to your Victron Energy supplier.

11.1 General error indications

Problem	Cause	Solution
No output voltage on AC-out-2.	EasySolar-II GX in inverter mode	
Unit will not switch over to generator or mains operation.	Circuit breaker or fuse in the AC-in input is open as a result of overload.	Remove overload or short circuit on AC-out-1 or AC-out-2, and reset fuse/breaker.
Inverter operation not initiated when switched on.	The battery voltage is excessively high or too low. No voltage on DC connection.	Ensure that the battery voltage is within the correct range.
'Low battery'	The battery voltage is low.	Charge the battery or check the battery connections.
'Low battery' (Shutdown)	The converter switches off because the battery voltage is too low.	Charge the battery or check the battery connections.
'Overload'	The converter load is higher than the nominal load.	Reduce the load.
'Overload' (Shutdown)	The converter is switched off due to excessively high load.	Reduce the load.
'Over Temperature'	The environmental temperature is high, or the load is too high.	Install the converter in cool and well-ventilated environment, or reduce the load.
'Low Bat V Overload' (Shutdown)	Low battery voltage and excessively high load.	Charge the batteries, disconnect or reduce the load, or install higher capacity batteries. Fit shorter and/or thicker battery cables.
'High DC Ripple'	Ripple voltage on the DC connection exceeds 1,5Vrms.	Check the battery cables and battery connections. Check whether battery capacity is sufficiently high, and increase this if necessary.
'DC Ripple Shutdown'	The inverter is switched off due to an excessively high ripple voltage on the input.	Install batteries with a larger capacity. Fit shorter and/or thicker battery cables, and reset the inverter (switch off, and then on again).
The charger does not operate.	The AC input voltage or frequency is not within the range set.	Ensure that the AC input is between 185VAC and 265VAC, and that the frequency is within the range set (default setting 45-65 Hz).
	Circuit breaker or fuse in the AC-in input is open as a result of overload.	Remove overload or short circuit on AC-out-1 or AC-out-2, and reset fuse/breaker.
	The battery fuse has blown.	Replace the battery fuse.
	The distortion or the AC input voltage is too large (generally generator supply).	Turn the settings WeakAC and dynamic current limiter on.
The charger does not operate. 'Bulk Protection' shown.	EasySolar-II GX is in 'Bulk protection' mode thus, the maximum bulk charging time of 10 hours is exceeded. Such a long charging time could indicate a system error (e.g. a battery cell short-circuit).	Check your batteries. NOTE: You can reset the error mode by switching off and back on the EasySolar-II GX. The standard EasySolar-II GX factory setting of the 'Bulk protection' mode is switched on. The 'Bulk protection' mode can be switched off with help of VEConfigure only.
The battery is not completely charged.	Charging current excessively high, causing premature absorption phase.	Set the charging current to a level between 0.1 and 0.2 times the battery capacity.
	Poor battery connection.	Check the battery connections.
	The absorption voltage has been set to an incorrect level (too low).	Set the absorption voltage to the correct level.
	The float voltage has been set to an incorrect level (too low).	Set the float voltage to the correct level.
	The available charging time is too short to fully charge the battery.	Select a longer charging time or higher charging current.
	The absorption time is too short. For adaptive charging this can be caused by	Reduce the charging current or select the 'fixed' charging characteristics.

	an extremely high charging current with respect to battery capacity, so that bulk time is insufficient.	
The battery is overcharged.	The absorption voltage is set to an incorrect level (too high).	Set the absorption voltage to the correct level.
	The float voltage is set to an incorrect level (too high).	Set the float voltage to the correct level.
	Poor battery condition.	Replace the battery.
	The battery temperature is too high (due to poor ventilation, excessively high environmental temperature, or excessively high charging current).	Improve ventilation, install batteries in a cooler environment, reduce the charging current, and connect the temperature sensor.
The charging current drops to 0 as soon as the absorption phase initiates.	Defective battery temperature sensor	Disconnect the temperature sensor plug in the EasySolar-II GX. If charging functions correctly after approximately 1 minute, the temperature sensor should be replaced.
	The battery is over-heated (+50°C)	Install the battery in a cooler environment
		Reduce the charging current
		Check whether one of the battery cells has an internal short circuit

11.2 VE.Bus error codes

A VE.Bus system can display various error codes. These codes are displayed on the front GX display screen. To interpret a VE.Bus error code correctly, you should refer to the VE.Bus error codes documentation - https://www.victronenergy.com/live/ve.bus:ve.bus_error_codes.

Code	Meaning:	Cause/solution:
1	Device is switched off because one of the other phases in the system has switched off.	Check the failing phase.
3	Not all, or more than, the expected devices were found in the system.	The system is not properly configured. Reconfigure the system. If the error persists, possible communication cable error. Check the cables and switch all equipment off, and then on again.
4	No other device whatsoever detected.	Check the communication cables.
5	Overvoltage on AC-out.	Check the AC cables.
10	System time synchronisation problem occurred.	Should not occur in correctly installed equipment. Check the communication cables.
14	Device cannot transmit data.	Check the communication cables (there may be a short circuit).
17	One of the devices has assumed 'master' status because the original master failed.	Check the failing unit. Check the communication cables.
18	Overvoltage has occurred.	Check AC cables.
22	This device cannot function as 'slave'.	This device is an obsolete and unsuitable model. It should be replaced.
24	Switch-over system protection initiated.	Should not occur in correctly installed equipment. Switch all equipment off, and then on again. If the problem recurs, check the installation. Possible solution: increase lower limit of AC input voltage to 210 VAC (factory setting is 180 VAC)
25	Firmware incompatibility. The firmware of one the connected devices is not sufficiently up to date to operate in conjunction with this device.	1) Switch all equipment off. 2) Switch the device returning this error message on. 3) Switch on all other devices one by one until the error message reoccurs. 4) Update the firmware in the last device that was switched on.
26	Internal error.	Should not occur. Switch all equipment off, and then on again. Contact Victron Energy if the problem persists.

12. Technical Specifications

EasySolar-II GX	INVERTER/CHARGER
PowerControl & PowerAssist	yes
Transfer switch	32A
Maximum AC input current	32A
Auxiliary output	32A
INVERTER	
Input voltage range	38 – 66V
Output	Output voltage: 230 VAC ± 2% Frequency: 50 Hz ± 0,1% (1)
Cont. output power at 25°C (3)	3000VA / 2400W
Cont. output power at 40°C / 65°C	2200W / 1700W
Maximum apparent feed-in power	2500VA
Peak power	5500W
Maximum efficiency	95%
Zero load power	11W
Zero load power in AES mode	7 W
Zero load power in Search mode	2W
CHARGER	
AC Input	Input voltage range: 187-265 VAC Input frequency: 45 – 65 Hz
Charge voltage 'absorption'	57,6V
Charge voltage 'float'	55,2V
Storage mode	52,8V
Maximum battery charge current (4)	35A
Battery temperature sensor	Yes
Programmable relay (5)	Yes
Protection (2)	a - g
VE.Bus communication port	For parallel and three phase operation, remote monitoring and system integration
General purpose com. port	Yes, 2x
SMARTSOLAR MPPT 250/70-Tr	
Model	SmartSolar MPPT 250/70-Tr
Maximum output current	70A
Maximum PV power	4000W
Maximum PV open circuit voltage	250V
Maximum efficiency	98%
Self-consumption	20mA
Charge voltage 'absorption', default	57,6V
Charge voltage 'float', default setting	55,2V
Protection (2)	a-e
GENERAL	
Interfaces	BMS-Can port (VE.Can not supported), USB, Ethernet, VE.Direct, Wi-Fi
Remote on-off	Yes
Operating temp. range	-40 to +65°C (fan assisted cooling)
Humidity (non-condensing):	max 95%
ENCLOSURE	
Material & Colour	Steel, blue RAL 5012
Protection category	IP21
Battery-connection	M8 bolts
PV connection	M6 bolts
230 V AC-connection	Screw terminals 13 mm ² (6 AWG)
Weight	26kg
Dimensions (hxwx d)	506 x 275 x 147 mm
STANDARDS	
Safety	EN-IEC 60335-1, EN-IEC 60335-2-29
Emission / Immunity	EN 55014-1, EN 55014-2 EN-IEC 61000-3-2, EN-IEC 61000-3-3 IEC 61000-6-1, IEC 61000-6-2, IEC 61000-6-3
Anti-islanding	See our website
1) Can be adjusted to 60 Hz 2) Protection key: a) output short circuit b) overload c) battery voltage too high d) battery voltage too low e) temperature too high f) 230 VAC on inverter output g) input voltage ripple too high	3) Non-linear load, crest factor 3:1 4) At 25°C ambient 5) Programmable relay which can be set for general alarm, DC under voltage or genset start/stop function. AC rating: 230V / 4A, DC rating: 4A up to 35VDC and 1A up to 60VDC

EN

NL

FR

DE

ES

SE

IT

Appendix

12. TECHNICAL SPECIFICATIONS - GX Device

GX Device	USER INTERFACE
Display	2x16 character display
Remote Console	yes
Buzzer	yes
	Victron communication ports
VE.Direct ports (always isolated)	1
Dedicated BMS-Can port (VE.Can not	2 paralleled RJ45 sockets – isolated
VE.Bus	2 paralleled RJ45 sockets – isolated
	Non Victron-products
Canbus-BMS batteries	Many battery brands. See here for details
Fronius PV Inverters	See here for details
SMA PV Inverters	See here for details
ABB PV Inverters	See here for details
SolarEdge PV Inverters	See here for details
	COMMUNICATION
USB	1 USB Host port - not isolated
Ethernet	10/100 RJ45 socket
WiFi	built-in
Bluetooth Smart	no
Micro SDcard slot	no
Second CAN-bus port	no
VE.Can port	no
Built-in RS485	no
	IO
Programmable relay ⁽⁷⁾	n/a
Resistive tank level inputs	no
Temperature sense inputs	no
Digital Inputs	no
	PERFORMANCE
CPU	quad core
RAM	512MB
Max. VE.Direct devices ⁽¹⁾	25
CPU	quad core
	OTHER
Supply voltage	powered internally, no external supply
Mounting	Built-in
Operating temperature	-20 to +50°C
Battery backedup clock	yes

1. Inleiding

De Victron EasySolar-II GX komt met de volgende elementen:

- Een krachtige Multiplus-II-omvormer/acculader
- Een SmartSolar MPPT zonnelaadregelaar
- Een GX-apparaat met een 2x16-karakter scherm

Deze elementen zijn voorbedraad en voorgeconfigureerd in een enkele eenheid. Dit vereenvoudigt de meeste installaties aanzienlijk en bespaart tijd en geld.

Dit document legt uit hoe alle componenten in elkaar passen, hoe het product te installeren, welke documentatie te gebruiken voor de configuratie en andere details van zijn individuele onderdelen.

Dit document behandelt:

- Kenmerken
- Gedrag
- Specificaties
- Beperkingen
- Installatie-instructies
- Stappen voor probleemoplossing

U dient het lezen om te begrijpen hoe u uw product op een veilige en betrouwbare wijze kunt gebruiken.

Deze handleiding is van toepassing op:

- EasySolar-II GX 48/3000/35-32

2. Nieuwste documentatie

U kunt snel online toegang krijgen tot de nieuwste versie van deze handleiding door naar de volgende link te gaan: <https://docs.victronenergy.com/easysolar-ii-gx.html>

3. Veiligheidsinstructies

Lees eerst de bij dit product geleverde documentatie, zodat u bekend bent met de veiligheidssymbolen en -aanwijzingen, voordat u het product gebruikt. Dit product is ontworpen en getest in overeenstemming met internationale normen. Het product mag alleen voor de aangegeven toepassing worden gebruikt.

WAARSCHUWING: GEVAAR VOOR ELEKTRISCHE SCHOKKEN

Het product wordt in combinatie met een permanente energiebron (accu) gebruikt. Zelfs als het product is uitgeschakeld, kan er een gevaarlijke elektrische spanning optreden bij de ingang- en/of uitgangsaansluitpunten. Schakel altijd de netstroom uit en koppel de accu los voordat u onderhoud uitvoert.

Het product bevat geen interne onderdelen die door de gebruiker moeten worden onderhouden. Verwijder het voorpaneel niet en gebruik het product niet tenzij alle panelen op hun plaats zijn bevestigd. Al het onderhoud moet worden uitgevoerd door gekwalificeerd personeel.

Gebruik het product nooit op plaatsen waar gas- of stofexplosies kunnen optreden. Raadpleeg de specificaties van de fabrikant van de accu om ervoor te zorgen dat de accu geschikt is voor gebruik met dit product. De veiligheidsinstructies van de fabrikant van de accu moeten altijd in acht worden genomen.

Dit product is niet bedoeld voor gebruik door personen (inclusief kinderen) met beperkte fysieke, zintuiglijke of mentale vermogens, of gebrek aan ervaring en kennis, tenzij zij onder toezicht staan of instructie hebben gekregen over het gebruik van het product door een persoon die verantwoordelijk is voor hun veiligheid. Kinderen moeten onder toezicht staan om ervoor te zorgen dat ze het product niet in handen krijgen om er bijvoorbeeld mee te spelen.

WAARSCHUWING: Til geen zware voorwerpen op zonder hulp

3.1 Vervoer en opslag

Zorg er tijdens opslag of transport van het product voor dat de netvoeding en de accukabels zijn losgekoppeld.

Er kan geen aansprakelijkheid worden aanvaard voor schade tijdens vervoer wanneer de apparatuur niet in de originele verpakking wordt vervoerd.

Het product opslaan in een droge omgeving; en de opslagtemperatuur moet variëren van -20°C tot 60°C zijn.

Raadpleeg de handleiding van de fabrikant van de accu voor informatie over vervoer, opslag, opladen, heropladen en verwijderen van de accu.

Bescherm de zonnemodules gedurende de installatie tegen invallend licht, bijvoorbeeld door ze te bedekken.

Raak nooit open kabeluiteinden aan.

Gebruik alleen geïsoleerde gereedschappen.

3.2 Aarding

Aarding van accu: dit apparaat kan in een positief of negatief geaard systeem geïnstalleerd worden.

Let op: breng één enkele aardingsaansluiting aan (het liefst dichtbij de accu) om systeemstoringen te voorkomen.

- Aarding van de chassis: Een apart aardingspad voor de aarding van de chassis is toegestaan omdat het geïsoleerd is vanaf de plus- en minpool.
- De Amerikaanse Nationale Electriciteitsnorm (USA National Electrical Code - NEC) vereist het gebruik van een apparaat ter beveiliging tegen aardingsstoringen (external ground fault protection device - GFDP). Deze MPPT-acculaders zijn niet voorzien van een interne beveiliging tegen aardingsstoringen. De minpool van het systeem dient via een GFDP met de aarde verbonden te zijn op één (alleen één enkele) locatie.
- De acculader dient niet te worden aangesloten op PV-reeksen. (alleen één enkele aardingsaansluiting)
- De plus- en minpool van de PV-reeks dienen niet te worden geaard. Aard het frame van de PV-panelen om de impact van blikseminslag te verminderen.

****WANNEER ER EEN AARDINGSSTORING WORDT AANGEGEVEN, KAN HET ZIJN DAT DE ACCUPOLEN EN AANGESLOTEN CIRCUITEN NIET MEER GEAARD ZIJN EN EEN RISICO VORMEN.**

4. Productbeschrijving

De basis van het product is een extreem krachtige sinusomvormer, acculader en overdrachtsschakelaar in een compacte behuizing. Het is geschikt voor gebruik in maritime en automotive toepassingen, als mede voor stationaire toepassingen op het land.

4.1. Kenmerken die gelden voor alle toepassingen

4.1.1 GX LCD-scherm

Een scherm met achtergrondverlichting van 2x16 tekens toont systeemparemeters.

4.1.2 BMS-Can-verbindingen

De BMS-Can verbinding staat steeds verbinden van compatibele 500 kbps CAN-bus BMS-batterijen toe. VE.Can producten zoals bijvoorbeeld Victron MPPT Zonneladers of een Lynx Shunt Ve.Can worden NIET ondersteund.

4.1.3 Ethernet en wifi

Ethernet- en wifi-verbindingen maken lokale en externe systeembewaking mogelijk, evenals een verbinding met het gratis VRM-portaal van Victron voor informatie over systeemprestaties op lange termijn.

4.1.4 Automatisch en ononderbroken schakelen

Bij een stroomstoring of bij het uitschakelen van het stroomaggregaat, schakelt het product over op de omvormer die de stroomtoevoer van de aangesloten apparaten overneemt. Dit gebeurt zo snel dat de werking van computers en andere elektronische apparaten niet wordt verstoord (Onderbrekingsvrije Stroomvoorziening of UPS-functionaliteit). Dit maakt het product zeer geschikt als noodstroomstelsel in industriële en telecommunicatietoepassingen.

4.1.5 Twee AC-uitgangen

Naast de gebruikelijke onderbrekingsvrije uitgang (AC-out-1) is er een hulpuitgang (AC-out-2) beschikbaar die de belasting loskoppelt in geval van accuwerking. Voorbeeld: een elektrische boiler die alleen werkt als het stroomaggregaat draait of als er walstroom beschikbaar is. Er zijn verschillende toepassingen voor de AC-out-2.

4.1.6 Mogelijkheid driefasig

Deze eenheid kan met anderen worden verbonden en geconfigureerd worden voor een driefasige uitgang. Er kunnen tot 6 sets van drie parallel worden aangesloten om een omvormervermogen van 45 kW / 54 kVA en een laadvermogen van meer dan 600 A te leveren.

4.1.7 PowerControl – maximaal gebruik van beperkte wisselstroom

Het product kan een enorme laadstroom leveren. Dit impliceert een zware belasting van de netspanning of generator. Daarom kan een maximale stroom worden ingesteld. Het product houdt dan rekening met andere stroomgebruikers en gebruikt de 'overtollige' stroom alleen voor laaddoeleinden.

4.1.8 PowerAssist – Uitgebreid gebruik van generator of walstroom

Deze functie brengt het principe van PowerControl naar een hogere dimensie waardoor het product de capaciteit van de alternatieve bron kan aanvullen. Waar piekvermogen vaak slechts voor een beperkte periode nodig is, zorgt het product ervoor dat onvoldoende net- of generatorvermogen onmiddellijk wordt gecompenseerd door stroom van de accu. Wanneer de belasting vermindert, wordt de reservestroom gebruikt om de accu op te laden.

4.1.9 Programmeerbaar

Alle instellingen kunnen worden gewijzigd met een pc en gratis software, te downloaden via onze website www.victronenergy.com. Zie deze handleiding voor meer informatie - <https://docs.victronenergy.com/veconfigure.html>

4.1.10 Programmeerbaar relais

Het product is uitgerust met een programmeerbaar relais. Het relais kan worden geprogrammeerd voor verschillende toepassingen, bijvoorbeeld als [startrelais voor een generator](#).

4.1.11 Externe stroomtransformator (optioneel)

Externe stroomtransformator optie om PowerControl en PowerAssist met externe stroomdetectie te implementeren.

4.1.12 Programmeerbare analoge/digitale ingangs-/uitgangspoorten (Aux in 1 en Aux in 2, zie bijlage)

Het product is uitgerust met 2 analoge/digitale ingangs-/uitgangspoorten. Deze poorten kunnen voor verschillende doeleinden worden gebruikt. Eén toepassing is de communicatie met de BMS van een lithium-ionaccu.

4.2 Voorzien van specifieke netgekoppelde en autonome systemen gecombineerd met PV

4.2.1 Externe stroomtransformator (optioneel)

Bij gebruik in een roosterparallele topologie kan de interne stroomtransformator de stroom van of naar het lichtnet niet meten. In dit geval moet een externe stroomtransformator worden gebruikt. Zie Bijlage A. Neem contact op met uw Victron-distributeur voor meer informatie over dit installatietype.

4.2.2 Verandering van frequentie

Wanneer zonne-omvormers zijn aangesloten op de AC-uitgang van het product, wordt overtollige zonne-energie gebruikt om de accu op te laden. Zodra de absorptiespanning is bereikt, zal de laadstroom afnemen en wordt de overtollige energie teruggevoerd naar het lichtnet. Als het lichtnet niet beschikbaar is, zal het product de wisselstroomfrequentie enigszins verhogen om de uitvoer van de zonne-omvormer te verminderen.

4.2.3 Ingebouwde accumonitor

De ideale oplossing wanneer het product deel uitmaakt van een hybride systeem (dieselgenerator, omvormer/laders, opslagaccu en alternatieve energie). De ingebouwde accumonitor kan worden ingesteld om de generator te starten en te stoppen:

- Starten bij een vooraf ingesteld ontladingsniveau % en/of
- starten (met een vooraf ingestelde vertraging) bij een vooraf ingestelde accuspanning en/of
- starten (met een vooraf ingestelde vertraging) op een vooraf ingesteld laadniveau.
- Stoppen bij een vooraf ingestelde accuspanning, of
- stoppen (met een vooraf ingestelde vertraging) nadat de fase van de bulkclading is voltooid en/of
- stoppen (met een vooraf ingestelde vertraging) bij een vooraf ingesteld laadniveau.

4.2.4 Autonome werking wanneer het lichtnet faalt

Huizen of gebouwen met zonnepanelen of een gecombineerde micro-schaal verwarmings- en elektriciteitscentrale of andere duurzame energiebronnen hebben een potentiële autonome energievoorziening die kan worden gebruikt voor het leveren van stroom voor de essentiële apparatuur (centrale verwarmingspompen, koelkasten, diepvries-eenheden, internetverbindingen, enz.) tijdens een stroomuitval. Een probleem is echter dat op het net aangesloten duurzame energiebronnen uitvallen zodra het stroomnet uitvalt. Met dit product en accu's kan dit probleem worden opgelost: **het product kan het stroomnet vervangen tijdens een stroomuitval**. Wanneer de duurzame energiebronnen meer stroom produceren dan nodig is, zal het product het overschot gebruiken om de accu's op te laden; in geval van een tekort zal het product extra stroom van de accu's leveren.

4.3 Acculader

4.3.1 Loodzuuraccus

Adaptief 4-traps laadalgoritme: bulk – absorptie – druppel – opslag

Het door microprocessoren aangedreven adaptief accubeheersysteem kan voor verschillende soorten accu's worden aangepast. De adaptieve functie past het laadproces automatisch aan het gebruik van de accu aan.

De juiste hoeveelheid lading: aangepaste absorptietijd

Bij lichte ontlading van de accu wordt de absorptie kort gehouden om overladen en overmatige gasvorming te voorkomen. Na diepe ontlading wordt de absorptietijd automatisch verlengd om de accu volledig op te laden.

Voorkom schade door overmatig gasvorming: de BatterySafe-modus

Als er een hoge laadstroom in combinatie met een hoge absorptiespanning is gekozen om een accu snel op te laden, wordt schade door overmatige gasvorming voorkomen door automatisch de spanningsverhoging te beperken zodra de spanning voor gasvorming is bereikt.

Minder onderhoud en veroudering wanneer de accu niet gebruikt wordt: de opslag functie

De Opslagmodus schakelt in wanneer de accu gedurende 24 uur niet is ontladen. De spanning wordt dan verlaagd tot 2,2 V/cel (13,2 V voor een 12V-accu) om gasvorming en corrosie van de positieve platen zoveel mogelijk te beperken. Eenmaal per week wordt de spanning weer verhoogd naar het absorptieniveau om de accu te 'egaliseren'. Deze functie voorkomt gelaagdheid van de elektrolyt en sulfatisering, een belangrijke oorzaak van het vroegtijdige falen van de accu.

Accuspanningmeting: de juiste laadspanning

Spanningsverlies als gevolg van kabelweerstand kan worden gecompenseerd door de spanningsmeetvoorziening te gebruiken om de spanning direct op de DC-bus of op de accu-aansluitpunten te meten.

Accuspannings- en temperatuurcompensatie

De temperatuursensor (meegeleverd bij het product) dient om de laadspanning te verminderen wanneer de accutemperatuur stijgt. Dit is vooral belangrijk voor onderhoudsvrije accu's, die anders zouden kunnen uitdrogen door het overladen.

4.3.2 Li-ionaccus

Victron LifePO4 Smart-accu's

Gebruik de VE.Bus BMS

4.3.3 Andere Li-ionaccus

Zie https://www.victronenergy.com/live/battery_compatibility:start

4.3.4 Meer over accu's en opladen van accus

Ons boek "Energy Unlimited" biedt meer informatie over accu's en het opladen van accu's en is gratis beschikbaar op onze website: www.victronenergy.com/support-and-downloads/whitepapers

Voor meer informatie over adaptief opladen verwijzen wij u ook naar de Algemene Technische Informatie op onze website.

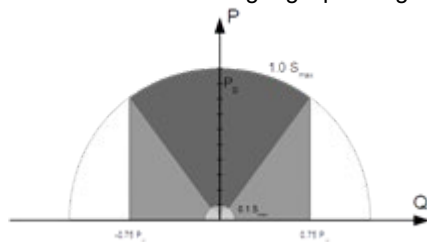
4.4 ESS – Energieopslagsystemen: energie terugvoeren in het stroomnet

Wanneer het product wordt gebruikt in een configuratie waarbij de energie wordt teruggevoerd naar het lichtnet, is het nodig om de stroomnetcode in te stellen door de juiste landinstelling van het stroomnet te selecteren met de VEConfigure-gereedschap.

Eenmaal ingesteld, is een wachtwoord vereist om stroomnetcode uit te schakelen of de parameters van de stroomnetcode te wijzigen. Neem contact op met uw Victron-distributeur als u dit wachtwoord nodig heeft.

Afhankelijk van de stroomnetcode zijn er verschillende reactieve vermogencontrolemodi:

- Vaste $\cos \varphi$
- $\cos \varphi$ als functie van P
- Vaste Q
- Q als functie van de ingangsspanning



Mogelijkheid voor reactief vermogen

Als die lokale stroomnetcode nicht durch das Produkt wird unterstützt, muss ein extern zertifiziertes Interface-Gerät verwendet werden, um das Produkt an das Stromnetz anzuschließen.

Das Produkt kann auch als bidirektionale Umrichter verwendet werden, der parallel zum Stromnetz arbeitet, integriert in ein durch den Kunden entwickeltes System (PLC oder anders), das die Messung der Regelkreise und des Netzwerks sicherstellt.

Extra opmerking met betrekking tot NRS-097 (Zuid-Afrika)

1. De maximaal toegestane netimpedantie is $0,28 \Omega + j0,18 \Omega$
2. De omvormer voldoet alleen aan de onbalanseisen in het geval van meerdere eenfasige eenheden waarbij de Color Control GX deel uitmaakt van de installatie.

Extra opmerkingen betreffende AS 4777.2 (Australië/Nieuw-Zeeland)

1. Certificering en CEC-goedkeuring voor het gebruik los het stroomnet betekent NIET goedkeuring voor net-interactieve installaties. Aanvullende certificering volgens IEC 62109.2 en AS 4777.2.2015 is vereist vóórdat net-interactieve systemen kunnen worden geïmplementeerd. Controleer de website van de Clean Energy Council voor actuele goedkeuringen.
2. DRM — Demand Response Mode (vraagresponsmodus) Wanneer de AS4777.2-stroomnetcode is geselecteerd in VEConfigure, is de DRM 0-functionaliteit beschikbaar op poort AUX1 (zie Bijlage A). Om de stroomnetverbinding mogelijk te maken, moet een weerstand tussen 5 kOhm en 16 kOhm aanwezig zijn tussen de aansluitpunten van de AUX1-poort (gemarkeerd met + en -). Het product wordt losgekoppeld van het net in het geval van een open circuit of een kortsluiting tussen de aansluitpunten van de AUX1-poort. De maximale spanning tussen de aansluitpunten van de AUX1-poort is 5V. Als de DRM 0 niet vereist is, kan deze functionaliteit ook worden uitgeschakeld met VEConfigure.

5. Bediening

Eén enkele schakelaar On/Off/Charger Only

De schakelaar bevindt zich aan de rechter onderzijde van het product.

De schakelaar heeft drie posities. De middelste positie 0 is Uit. De I-positie is Aan en de II-positie is Alleen acculader. Wanneer u schakelt naar "I/On" (richting de achterkant van het apparaat), zal het product in werking treden en is de omvormer volledig functioneel.

Als wisselspanning is aangesloten op de "AC in"-aansluiting, wordt deze overgeschakeld naar de "AC out"-aansluiting, indien dit binnen de specificaties valt. De omvormer schakelt uit en de acculader begint met opladen. Er wordt 'Bulk', 'Absorptie' of 'Druppel' weergegeven, afhankelijk van de laadmodus.

Als de spanning op de 'AC-in'-aansluiting wordt afgewezen, schakelt de omvormer in.

Wanneer de schakelaar is overgeschakeld op 'II/Charger Only', zal alleen de acculader van de Multi aangaan (als er netspanning aanwezig is). In deze modus wordt ook de ingangsspanning doorgeschakeld naar de "AC out"-aansluiting.

OPMERKING: Wanneer alleen de laadfunctie vereist is, moet u ervoor zorgen dat de schakelaar op 'II/Alleen acculader' staat. Dit voorkomt dat de omvormer wordt ingeschakeld als de netspanning verloren gaat, waardoor uw accu's niet leeglopen.

6. GX LCD-interface

Het scherm zal u nuttige informatie over uw systeem tonen.

6.1 Aan/uit-werking

Wanneer het product wordt uitgeschakeld met de fysieke schakelaar op het apparaat of met de externe aan/uit-aansluitingen, dan wordt de GX-kaart ook uitgeschakeld. Als u het product op afstand bedient met behulp van een Digital Multi-control, dan blijft de GX-kaart van stroom voorzien. Ook bij het uitschakelen van de omvormer/lader vanuit de GX-menu's blijft de GX-kaart van stroom voorzien.

Ten slotte, wanneer de omvormer/acculader zichzelf uitschakelt vanwege een alarm, zoals een laag opgeladen accu of een te hoge temperatuur, blijft de GX-kaart ook in werking en van stroom voorzien.

6.2 Druknop-werking

Wanneer de GX-kaart is ingeschakeld, wordt de achtergrondverlichting geactiveerd door op de knop naast het scherm te drukken. De achtergrondverlichting schakelt na 5 minuten uit.

Zodra de achtergrondverlichting is geactiveerd, zal het opnieuw indrukken van de knop de beschikbare weergaveopties tonen. Sommige opties worden automatisch weergegeven en andere opties vereisen een druk op de knop om weergegeven te worden.

6.3 Weergegeven informatie

- Zonne-energie, spanning en laadtoestand (indien aangesloten)
- ESS/DVCC-aanleidingcodes (indien actief)
- Dagelijkse opbrengst van zonne-energie
- Omvormer/acculader-laadtoestand (bijv. Bulk, ESS)
- Accu-status van lading, vermogen en spanning
- Netwerk IP-adres en verbindingstype (indien verbonden).
- AC-in en -uitgangsvermogen

In een systeem met meer dan één fase zal er extra wisselstroom- en uitvoerinformatie beschikbaar zijn, bijv.

- Fase 1 AC-ingangsspanning en -vermogen.
- Fase 1 AC uitgangsspanning en -vermogen.
- Fase 2 AC-ingangsspanning en -vermogen.
- Fase 2 AC uitgangsspanning en -vermogen.
- Fase 3 AC-ingangsspanning en -vermogen.
- Fase 3 AC uitgangsspanning en -vermogen.

6.4 Foutcode weergave

Als er een fout ontstaat in het systeem, wordt de foutcode op het scherm weergegeven. Het scherm geeft VE.Bus-foutcodenummers en MPPT-foutcodes weer (indien verbonden).

Basisinformatie over de VE.Bus foutcodes vindt u in de sectie Error Indications.

Voor meer informatie over de foutcodes, zie:

[VE.Bus-foutcodes](#)

[\[MPPT-foutcodes\]](#)

De fout wordt weergegeven totdat deze is opgelost.

7. Aansluiting van de PV-reeks

7.1 Het dimensioneren van de reeks

We raden aan om het [MPPT-programma voor het berekenen van dimensies, beschikbaar op onze website te gebruiken](#).

- De zonnelaadregelaars werken alleen als de PV-spanning de accuspanning (Vbat) overschrijdt.
- De PV-spanning moet de Vbat + 5V overschrijden zodat de regelaar zal opstarten. Daarna dient er een minimale PV-spanning Vbat + 1V te worden behouden.
- De maximale spanning van een PV-reeks met open circuit is 250V.
- De maximale kortsluitstroom van een PV-reeks is 35A.

Bijvoorbeeld:

- Minimum aantal seriegeschakelde cellen: 144 (4x12V-paneel of 2x24 V seriegeschakelde panelen).
- Maximum: 360 cellen (10x12 V of 5x24 V seriegeschakelde panelen).

Let op: bij een lage temperatuur kan de spanning van het open circuit van een reeks van 360 cellen de 250V overschrijden, afhankelijk van de lokale condities en celspecificaties. In dat geval moet het aantal seriegeschakelde cellen gereduceerd worden.

Het MPPT-component van de EasySolar-II GX is voorgeprogrammeerd op 48 V om aan de vereisten de voldoen van de inbegrepen omvormer/acculader.

7.2 Aansluiting

1. Sluit de accu aan.
2. Sluit de zonnereeks aan op de M6-zonnebouts. Let op: in het geval van een aansluiting met omgekeerde polariteit zal de regelaar opwarmen, maar zal de accu niet opladen.

Houd er rekening mee dat de 100Amp-zekering niet vervangbaar is door de eindgebruiker. Wanneer deze springt, zal de eenheid naar de serviceagent moeten worden teruggebracht voor reparatie. Het springt alleen nadat andere onderdelen van het apparaat hebben gefaald.



8. Installatie

Dit product bevat potentieel gevaarlijke spanningen. Het dient alleen worden geïnstalleerd onder toezicht van een geschikte gekwalificeerde installateur met de juiste opleiding en in overeenkomst met de lokale vereisten. Neem contact op met Victron voor meer informatie of de noodzakelijke training.

8.1 Locatie

Het product moet worden geïnstalleerd in een droge en goed geventileerde ruimte en zo dicht mogelijk bij de accu's. Er moet een ruimte van minimaal 10 cm rond het apparaat vrijgehouden worden voor het afkoelen.

WAARSCHUWING: Een hoge omgevingstemperatuur resulteert in het volgende:

- Kortere levensduur.
- Gereduceerde laadstroom.
- Verminderde piekvermogen, of uitschakelen van de omvormer. Plaats het apparaat nooit direct boven de accu's.

Dit product is geschikt voor wandmontage. Voor montagedoeleinden zijn aan de achterkant van de behuizing een haak en twee gaten aangebracht (zie Bijlage G). Het apparaat kan zowel horizontaal als verticaal worden gemonteerd. Voor optimale koeling heeft een verticale montage de voorkeur.

WAARSCHUWING: De binnenkant van het product moet na installatie toegankelijk blijven.

Probeer de afstand tussen het product en de accu tot een minimum te beperken voor een minimaal kabelspanningsverlies.

Voor veiligheidsdoeleinden moet dit product in een hittebestendige omgeving worden geïnstalleerd. Vermijd de aanwezigheid van bijv. chemicaliën, synthetische componenten, gordijnen of ander textiel enz.

8.2 Aansluiting van accukabels

Teneinde de volledige capaciteit van het product volledig te benutten, moeten de accu's met voldoende capaciteit en accukabels met een geschikte doorsnede worden gebruikt. Zie tabel.

	48/3000/35
Aanbevolen accucapaciteit (Ah)	100–400
Aanbevolen DC-zekering	125 A
Aanbevolen doorsnede (mm ²) per + en - aansluitpunt	
0 – 5 m	35 mm ²
5 – 10 m	70 mm ²

Opmerking: Interne weerstand is de belangrijkste factor bij het werken met accu's met een lage capaciteit. Raadpleeg uw leverancier of de relevante delen van ons boek 'Energy Unlimited', te downloaden op onze website.

8.3 Accuverbindingsprocedure

Ga als volgt te werk om de accukabels aan te sluiten:

WAARSCHUWING: Gebruik een momentsleutel met geïsoleerde steeksleutel om te voorkomen dat de accu kortsluit. **Maximum koppel: 14 Nm** Vermijd kortsluiting van de accukabels.

WAARSCHUWING: Er moet specifieke zorg en aandacht worden besteed bij het aansluiten van de accu. Met een multimeter moet de juiste polariteit worden bevestigd, voordat de accu wordt aangesloten. Door de accu met de onjuiste polariteit aan te sluiten, wordt het apparaat vernietigd en dat valt niet onder de garantie.

- Maak de twee schroeven aan de onderkant van de behuizing los en verwijder het servicepaneel.
- Sluit de accukabels aan. Eerst de - kabel dan de +. Houd er rekening mee dat er een vonk kan optreden bij het aansluiten van de accu.
- Draai de moeren vast aan de voorgeschreven koppels voor minimale contactweerstand.

8.4 Aansluiting van de AC-bekabeling

WAARSCHUWING

Dit is een product met veiligheidsklasse I (geleverd met een aardklem voor veiligheidsdoeleinden). **De wisselstroom- en/of uitgangsklemmen en/of het aardingspunt in het product moeten voor veiligheidsdoeleinden voorzien zijn van een onderbrekingsloos aardingspunt.** Zie Bijlage A.

In een vaste installatie kan een onderbrekingsloze aarding worden vastgezet door middel van de aardingsdraad van de AC-ingang. Anders moet de behuizing worden geaard.

Dit product is voorzien van een aardrelais (relais H, zie Bijlage B) dat **automatisch de Nuluitgang met het chassis verbindt als er geen externe wisselstroomvoeding voorhanden is.** Als er een externe wisselstroomvoorziening aanwezig is, gaat het aardrelais H open voordat het ingangsvailigheidsrelais sluit. Dit zorgt voor de juiste werking van een aardlekstroomonderbreker die is aangesloten op de uitgang.

Bij een mobiele installatie (bijvoorbeeld met een walstroomstekker) zal het onderbreken van de walverbinding tegelijkertijd de aardingsverbinding verbreken. In dat geval moet de behuizing worden aangesloten op het chassis (van het voertuig) of op de romp of aardingsplaat (van de boot). In het geval van een boot wordt directe verbinding met de wal niet aanbevolen vanwege mogelijke galvanische corrosie. De oplossing hiervoor is het gebruik van een isolatietransformator. **Koppel: 2 Nm**

De klemmenblokken zijn te vinden op de printplaat, zie Bijlage A.

Verwissel de nul en fase niet bij het aansluiten op de AC.

De omvormer komt met een geïntegreerde scheidingstransformator voor netfrequentie. Dit voorkomt de mogelijkheid van DC-stroom op AC-stroompoorten. Daarom kunnen aardlekschakelaars van het type A worden gebruikt.

- **AC-in** De AC-ingangskabel kan worden aangesloten op het aansluitblok 'AC-in'. Van links naar rechts: "N" (nul), "PE" (aarde) en "L" (fase). **De AC-ingang moet worden beveiligd met een zekering of magnetische stroomonderbreker met een vermogen van 32 A of minder en de doorsnede van de kabel moet dienovereenkomstig worden aangepast.** Als de ingangswisselstroomtoevoer een lagere waarde heeft, moet de zekering of magnetische stroomonderbreker dienovereenkomstig worden verlaagd.
- **AC-out-1** De AC-uitgangskabel kan direct op het aansluitblok 'AC-out' worden aangesloten. Van links naar rechts: "N" (nul), "PE" (aarde) and "L" (fase). Met de PowerAssist-functie kan de Multi tot 3 kVA (dat is 3000/230 = 13 A) toevoegen aan de uitgang tijdens perioden van piekvermogen. Samen met een maximale invoerstroom van 32 A betekent dit dat de uitvoer tot 32 + 13 = 45 A kan leveren. Een aardlekstroomstroomonderbreker en een zekering of stroomonderbreker die geschikt is om de verwachte belasting te ondersteunen, moeten in serie met de uitgang worden meegeleverd en de doorsnede van de kabel moet dienovereenkomstig worden aangepast.
- **AC-out-2** Er is een tweede uitgang beschikbaar die de verbinding verbreekt met zn belasting in het geval van accu-werking. Op deze aansluitingen is apparatuur aangesloten die alleen kan werken als er wisselspanning beschikbaar is op de AC-in-1, bijvoorbeeld een elektrische boiler of een airco. De belasting op de AC-out-2 wordt onmiddellijk losgekoppeld wanneer de omvormer/lader overschakelt op de accu. Nadat wisselstroom beschikbaar is op de AC-in-1, wordt de belasting op AC-out-2 met een vertraging van ongeveer 2 minuten opnieuw aangesloten. Dit om een stroomaggregaat te stabiliseren.

8.5 Optionele Verbindingen

Er zijn een aantal optionele verbindingen mogelijk:

8.5.1 Afstandsbediening

Het product kan op twee manieren op afstand worden bediend.

- Met een externe schakelaar (aansluitpunt M, zie bijlage A). Functioneert alleen als de schakelaar op de apparaat is ingesteld op "on".
- Met een Digital Multi Control-paneel (aangesloten op een van de twee RJ45-contactdozen L, zie Bijlage A). Functioneert alleen als de schakelaar op de apparaat is ingesteld op "on".

Het Digital Multi controle-paneel heeft een draaiknop waarmee de maximale stroom van de AC kan worden ingesteld: zie PowerControl en PowerAssist.

8.5.2 Programmeerbaar relais

Het product is uitgerust met een programmeerbaar relais.

Het relais kan worden geprogrammeerd voor allerlei andere toepassingen, bijvoorbeeld als startrelais voor een generator.

8.5.3 Programmeerbare analoge/digitale ingangs-/uitgangspoorten

Het product is uitgerust met 2 analoge/digitale ingangs-/uitgangspoorten.

Deze poorten kunnen voor verschillende doeleinden worden gebruikt. Eén toepassing is de communicatie met de BMS van een lithium-ionaccu.

8.5.4 Spanningssensor (aansluitpunt J, zie Bijlage A)

Voor het compenseren van mogelijke kabelverliezen tijdens het opladen, kunnen er twee sensordraden worden aangesloten waarmee de spanning direct kan worden gemeten op de accu of op de positieve en negatieve verdeelpunten. Gebruik draad met een doorsnede van 0,75mm².

Tijdens het opladen van de accu compenseert de omvormer/lader de spanningsval over de DC-kabels tot maximaal 1 Volt (d.w.z. 1 V over de positieve aansluiting en 1V over de negatieve aansluiting). Als de spanningsval groter dreigt te worden dan 1 V, wordt de laadstroom zodanig beperkt dat de spanningsval beperkt blijft tot 1 V.

8.5.5 Temperatuursensor (aansluitpunt J, zie Bijlage A)

De temperatuursensor (meegeleverd bij de omvormer/lader) kan worden aangesloten voor temperatuurgecompenseerd opladen. De sensor is geïsoleerd en moet op de negatieve pool van de accu worden aangebracht.

8.5.6 Parallele aansluiting

Het is vereist om identieke eenheden te gebruiken voor driefasen- en parallelle systemen. Aangezien er slechts één GX apparaat per systeem is toegestaan, moet u in dit geval hetzelfde model MultiPlus-II vinden als u een parallelle en/of driefasenaansluiting wilt gebruiken met dit product.

Om u te helpen bij het vinden van identieke eenheden, kunt u in plaats daarvan de MultiPlus-II gebruiken voor parallelle en driefasensystemen en een extern GX-apparaat.

Er kunnen maximaal zes eenheden parallel worden aangesloten. Bij het aansluiten van dit product met Multiplus-II in een parallel systeem, moet aan de volgende vereisten worden voldaan:

WAARSCHUWING

- Het is essentieel dat de negatieve pool van de accu tussen de eenheden altijd is aangesloten. Een zekering of stroomonderbreker is niet toegestaan op de negatieve pool.
- Alle eenheden moeten op dezelfde accu worden aangesloten.
- Maximaal zes parallel aangesloten eenheden.
- De apparaten moeten identiek zijn (afgezien van het GX-deel) en dezelfde firmware hebben.
- De DC-aansluitkabels naar de apparaten moeten van gelijke lengte en doorsnede zijn.
- Als een positief en een negatief gelijkstroomverdelingspunt wordt gebruikt, moet de doorsnede van de verbinding tussen de accu's en het gelijkstroomverdelingspunt ten minste gelijk zijn aan de som van de vereiste doorsneden van de verbindingen tussen het distributiepunt en de eenheden.
- Koppel altijd eerst de negatieve accukabels voordat u de UTP-kabels plaatst.
- Plaats de eenheden dicht bij elkaar, maar laat minstens 10 cm ruimte over voor ventilatie onder, boven en naast de eenheden.
- UTP-kabels moeten rechtstreeks van de ene eenheid op de andere worden aangesloten (en op het externe paneel). Contact- of splitterdozen zijn niet toegestaan.
- Er kan slechts één afstandsbediening (paneel of schakelaar) worden aangesloten op het **systeem**. Dat betekent maar één GX.

8.5.7 Driefasenwerking

Dit product kan ook worden gebruikt in 3-fasen wye (Y)-configuratie. Hiervoor wordt een verbinding tussen de apparaten gemaakt door middel van standaard RJ45 UTP-kabels (hetzelfde als voor een parallelle werking). Het **systeem** vereist een latere configuratie.

Voorwaarden: zie Sectie Spanningsdetectie

1. Opmerking: het product is niet geschikt voor een 3-fasen delta (Δ)-configuratie.
2. Wanneer de AS4777.2 stroomnetcode is geselecteerd in VEconfigure, zijn slechts 2 eenheden parallel per fase toegestaan in een driefasensysteem.

Voor meer informatie over parallelle en driefasenconfiguratie moet u altijd eerst uw Victron-distributeur en deze specifieke handleiding

raadplegen: https://www.victronenergy.com/live/ve.bus:manual_parallel_and_three_phase_systems

8.5.8 Verbinding met het VRM-portaal

Voor de verbinding van het product met de VRM is een internetverbinding nodig. Dit kan gedaan worden via wifi of bij voorkeur via een ethernet kabel naar een op het internet aangesloten router.

De VRM-site-id bevindt zich op een sticker in de buurt van de kabelverbindingen van het apparaat.

Voor meer informatie over het instellen van VRM, raadpleeg de handleiding [Aan de slag met VRM](#).

EN

NL

FR

DE

ES

SE

IT

Bijlage

9. Configuratie

Deze sectie is voornamelijk bedoeld voor losstaande toepassingen

Zie voor netaangesloten energieopslagsystemen (ESS) <https://www.victronenergy.com/live/ess:start>

- Instellingen mogen alleen worden gewijzigd door een bevoegd en gekwalificeerd installateur met de juiste training en met inachtneming van de lokale vereisten. Neem contact op met Victron voor meer informatie of noodzakelijke training.
- Lees de instructies grondig voordat u wijzigingen doorvoert.
- Tijdens het instellen van de lader moet de AC-ingang worden verwijderd.

9.1 Standaardinstellingen: klaar voor gebruik

Bij levering is het product ingesteld op standaard fabriekswaarden. Over het algemeen zijn deze instellingen geschikt voor werking met één enkele eenheid.

WAARSCHUWING

Mogelijk is de standaard acculaadspanning niet geschikt voor uw accu's! Raadpleeg de documentatie van de fabrikant of de leverancier van uw accu!

Standaard fabrieksinstellingen

Instelling	Waarde
Omvormerfrequentie	50 Hz
Ingangsfrequentiebereik	45 – 65 Hz
Ingangsspanningsbereik	180 – 265 VAC
Omvormerspanning	230 VAC
Losstaand / parallel / 3-fasen	Losstaand
AES (Automatic Economy Switch)	uit
Aardrelais	aan
Acculader aan/uit	aan
Acculaadcurve	4-traps adaptief met BatterySafe-modus
Oplaadstroom	100% van de maximale laadstroom
Accutype	Victron Gel Deep Discharge (ook geschikt voor Victron AGM Deep Discharge)
Automatisch egalisatie-opladen	uit
Absorptievermogen	57,6V
Absorptietijd	tot 8 uur (afhankelijk van bulktijd)
Float-lading	55,2 V
Opslagspanning	52,8 V (niet instelbaar)
Maximale absorptietijd	1 uur
Absorptie herhaling	7 dagen
Bulk-beveiliging	aan
AC-ingangsstroombeperking	32 A (= instelbare stroomlimiet voor PowerControl en PowerAssist-functies)
UPS-functie	aan
Dynamische stroombeperker	uit
WeakAC	uit
BoostFactor	2
Programmeerbaar relais	alarmfunctie
PowerAssist	aan

9.2 Uitleg van instellingen

De instellingen die niet vanzelfsprekend zijn, worden hieronder kort beschreven. Raadpleeg voor meer informatie de Help-bestanden in de software configuratieprogramma's.

Omvormerfrequentie

Uitgangsfrequentie als er geen AC aanwezig is op de ingang.

Aanpasbaarheid: 50 Hz; 60 Hz

Ingangsfrequentiebereik

Ingangsfrequentiebereik geaccepteerd. Het product synchroniseert binnen dit bereik met de AC-ingangsfrequentie. De uitgangsfrequentie is dan gelijk aan de ingangsfrequentie.

Aanpasbaarheid: 45 – 65 Hz; 45 – 55 Hz; 55 – 65 Hz

Ingangsspanningsbereik

Spanningsbereik geaccepteerd. Het product synchroniseert binnen dit bereik met de AC-ingang. De uitgangsspanning is dan gelijk aan de ingangsspanning.

Aanpasbaarheid:

Ondergrens: 180 – 230 V

Bovengrens: 230 – 270 V

Opmerking: De standaard ondergrens instelling van 180V is bedoeld voor aansluitingen op een zwakke netvoeding of op een generator met instabiele wisselstroom. Deze instelling kan ertoe leiden dat een systeem wordt uitgeschakeld wanneer deze is aangesloten op een 'borstelloze, ze If-opstartende, externe spanningsgeregelde, synchrone wisselstroomgenerator' (synchrone AVR-generator). De meeste generatoren met een vermogen van 10 kVA of meer zijn synchrone AVR-generatoren. De uitschakeling wordt geïnitieerd wanneer de generator wordt gestopt en het toerental omlaag gaat terwijl de AVR tegelijkertijd 'probeert' de uitgangsspanning van de generator op 230 V te houden. De oplossing is om de ondergrens te verhogen tot 210 VAC (de uitgang van AVR-generatoren is over het algemeen zeer stabiel), of om het product los te koppelen van de generator wanneer een stopsignaal wordt gegeven (met behulp van een wisselstroomschakelaar die in serie is geïnstalleerd met de generator).

Omvormerspanning

Uitgangsspanning bij werking van de accu.

Aanpasbaarheid: 210 – 245 V

Losstaand/parallele werking/2- of 3-faseninstelling

Met behulp van meerdere apparaten is het mogelijk om:

- het totale omvormervermogen (meerdere apparaten parallel) te verhogen
- een split-fase systeem met een aparte autotransformator te creëren: zie het informatieblad en de handleiding VE-autotransformator
- een 3-fasensysteem te creëren.

De standaardproductinstellingen zijn voor één apparaat een stand-alone-werking.

AES (Automatic Economy Switch)

Als deze instelling 'ingeschakeld' is, wordt het stroomverbruik bij niet-belaste werking en bij lage belastingen met ca. 20% verminderd door de sinusoidale spanning iets te 'reduceren'. Alleen van toepassing bij een stand-alone-configuratie.

Zoekmodus

In plaats van de AES-modus kan er ook voor de **zoekmodus** worden gekozen. Als de zoekmodus op 'aan' staat, zal het stroomverbruik in nullast worden verlaagd met circa 70%. In deze modus wordt het product, bij gebruik in de omvormermodus, uitgeschakeld in geval er spraken is van geen belasting of zeer lage belasting, en gaat het elke twee seconden gedurende een korte periode aan. Als de uitgangsstroom een ingesteld niveau overschrijdt, blijft de omvormer werken. Wanneer dit niet het geval is, wordt de omvormer opnieuw uitgeschakeld.

De belastingsniveaus kunnen worden ingesteld met VEConfigure om de zoekmodus 'af te sluiten' en 'aan te laten'.

De standaardinstellingen zijn:

Actie	Drempel
Uitschakelen	40 Watt (lineaire belasting)
Inschakelen	100 Watt (lineaire belasting)

Grondrelais (zie bijlage B)

Met dit relais wordt de nulleider van de wisselstroomuitgang op het chassis geaard wanneer de veiligheidsrelais aan de achterzijde open zijn. Dit zorgt voor de juiste werking van aardlekstroomonderbrekers in de uitgang. Indien nodig kan een extern aardrelais worden aangesloten (voor een split-fasensysteem met een aparte autotransformator). Zie Bijlage A.

Acculaadalgoritme

De standaardinstelling is 'Viertraps adaptief met BatterySafe-modus'.

Dit is het aanbevolen laadalgoritme voor loodzuuraccu's. Zie de Hulp-bestanden in de softwareconfiguratieprogramma's voor andere functies.

Accutype

De standaardinstelling is het meest geschikt voor Victron Gel Deep Discharge, Gel Exide A200 en stationaire buisjesplaat -accu's (OPzS). Deze instelling kan ook worden gebruikt voor vele andere accu's: bijvoorbeeld de Victron AGM Deep Discharge en andere AGM-accu's, en vele soorten natte vlakke plaataccu's. Met VEConfigure kan het laad algoritme worden aangepast om elk type accu op te laden (Nikkel-cadmium-accu's, Lithium-ion accu's)

Absorptietijd

Bij de standaardinstelling 'Viertraps adaptief met BatterySafe-modus' is de absorptietijd afhankelijk van de bulktijd (aanpasbare laadcurve), zodat de accu optimaal wordt opgeladen.

9.2.1 Egalisatie

Tractie-accu's vereisen regelmatig extra opladen. In de egalisatiemodus zal het product gedurende één uur opladen met verhoogde spanning (4 V voor een 48V-accu). De laadstroom wordt dan beperkt tot 1/4 van de ingestelde waarde.

De egalisatiemodus levert een hogere laadspanning dan de meeste DC-apparaten aankunnen. Deze apparaten moeten worden losgekoppeld voordat er extra wordt opgeladen.

Automatisch egalisatie-opladen

Deze instelling is bedoeld voor natte buisjesplaat tractie- of OPzS-accu's. Tijdens de absorptie neemt de spanningsgrens toe tot 2,83 V/cel (68 V voor een 48V-accu) zodra de laadstroom is gedaald tot minder dan 10% van de ingestelde maximale stroom.

Zie 'buisjesplaat tractie-accu ladingscurve' in VEconfigure.

Opslagspanning, Herhaalde absorptietijd, absorptieherhalingsinterval

Zie Bijlage E.

Bulk-beveiliging

Wanneer deze instelling op 'aan' staat, is de bulkoplaadtijd beperkt tot 10 uur. Een langere oplaadtijd kan wijzen op een systeemfout (bv. een kortsluiting van de accu-cel).

AC-ingangsstroombeperking

Dit zijn de stroomlimietinstellingen waarmee PowerControl en PowerAssist inschakelen.

PowerAssist instelbereik: van 5,3A tot 32A.

Fabrieksinstelling: de maximale waarde (32A).

UPS-functie

Als deze instelling op 'aan' staat en de AC op de ingang uitvalt, schakelt het product praktisch zonder onderbreking over op de omvormerwerking.

De uitgangsspanning van sommige kleine generatorsets is instabiel en vervormt door het gebruik van deze instelling - het product zou daardoor voortdurend overschakelen op de omvormerwerking. Om deze reden kan de instelling worden uitgeschakeld. Het product reageert dan minder snel op wisselspanningsafwijkingen. De omschakeltijd naar de omvormerwerking duurt dus iets langer, maar de meeste apparatuur (de meeste computers, klokken of huishoudelijke apparaten) wordt daardoor niet nadelig beïnvloed.

Aanbeveling: Schakel de UPS-functie uit als het product niet kan worden gesynchroniseerd, of als de omvormer continu wordt ingeschakeld.

Dynamische stroombeperker

Bedoeld voor generatoren, waarbij de wisselspanning wordt opgewekt door middel van een statische omvormer (zogenaamde omvormer-generatoren). Bij deze generatoren wordt het toerental van de motor verminderd bij lage belasting: dit vermindert geluid, brandstofverbruik en vervuiling. Een nadeel is dat de uitgangsspanning ernstig zal dalen of zelfs volledig zal falen in het geval van een plotselinge belastingverhoging. Meer belasting kan pas worden geleverd nadat de motor op volle snelheid is.

Als deze instelling 'aan' is, zal het product beginnen met het leveren van extra vermogen bij een laag generator-uitgangsniveau en geleidelijk de generator in staat stellen meer te leveren, totdat de ingestelde stroomlimiet is bereikt.

Hierdoor kan de generatormotor op snelheid komen.

Deze instelling wordt ook vaak gebruikt voor 'klassieke' generatoren die langzaam reageren op plotselinge belastingvariaties.

WeakAC

Sterke vervorming van de ingangsspanning kan ertoe leiden dat de lader nauwelijks of helemaal niet werkt. Als WeakAC is ingesteld, accepteert de acculader ook een sterk vervormde spanning, ten koste van een grotere vervorming van de ingangsstroom.

Aanbeveling: Schakel WeakAC in als de acculader nauwelijks of helemaal niet oplaadt (wat vrij zeldzaam is!). Schakel ook de dynamische stroombeperker tegelijkertijd in en verlaag de maximale laadstroom om overbelasting van de generator indien nodig te voorkomen.

Opmerking: wanneer WeakAC ingeschakeld is, wordt de maximale laadstroom met ongeveer 20% verminderd.

BoostFactor Deze waarde past de PowerAssist-werking aan. Als u problemen ondervindt met PowerAssist (bijv. overbelasting), raadpleeg dan een specialist die door Victron Energy is getraind, voordat u aanpassingen toepast.

Programmeerbaar relais

Het product is uitgerust met meerdere programmeerbare relais. Deze relais kunnen worden geprogrammeerd voor allerlei andere toepassingen, bijvoorbeeld als startrelais voor een generator.

Hulp-AC-uitgang (AC-out-2)

Bedoeld voor niet-kritieke belastingen en is direct aangesloten op de AC-ingang. Met stroommeetcircuit om PowerAssist in te schakelen.

9.3 Omvormer/acculader

Zie de [MultiPlus-II-handleidingen](#) voor meer informatie over de configuratie van het omvormer/acculader-component van de EasySolar-II GX.

Voor het volledige functioneren van de omvormer/acculader programmering is een laptop of computer nodig met [VEConfigure](#). Beperkte configuratie is mogelijk met [VictronConnect](#)

9.4 SmartSolar MPPT 250/70-laadregelaar

De Zonnelader wordt geconfigureerd met gebruik van VictronConnect. De eenvoudigste methode voor het verbinden met de Zonnelader is via Bluetooth. Dit werkt voor Android, iOS en macOS. Het werkt niet voor Windows.

Mocht het gebruik van Windows vereist zijn, koppel de VE.Direct-kabel dan los van de Zonnelader en gebruik een [VE.Direct-usb interfacekabel](#) voor uw Windows-laptop. Eenmaal voltooid dient u de VE.Direct-kabel tussen het interne GX-apparaat en de Zonnelader opnieuw aan te sluiten.

Bekijk deze documenten voor de volledige documentatie met betrekking tot de bij de EasySolar-II GX inbegrepen MPPT.

- [SmartSolar MPPT 250/70 documentatie](#)
- [VictronConnect MPPT Zonneladers](#)
- [VictronConnect-handleiding](#)



10. Onderhoud

Het product vereist geen specifiek onderhoud. Het is voldoende om alle verbindingen eenmaal per jaar te controleren. Vermijd vocht en olie/roet/dampen en houd het apparaat schoon.

11. Foutmeldingen

Met de onderstaande procedures kunnen de meeste fouten snel worden geïdentificeerd. Als een fout niet kan worden opgelost, raadpleeg dan uw Victron Energy-leverancier.

11.1 Algemene foutindicaties

Probleem	Oorzaak	Oplossing
Geen uitgangsspanning op AC-out-2.	EasySolar-II GX in omvormermodus	
De eenheid schakelt niet over op generator- of stroomnetwerking.	De stroomonderbreker of zekering in de AC-in ingang staat open als gevolg van overbelasting.	Verwijder overbelasting of kortsluiting op AC-out-1 of AC-out-2 en herstel zekering/onderbreker.
Omvormerwerking start niet wanneer ingeschakeld.	De accuspanning is te hoog of te laag. Geen spanning op gelijkstroomaansluiting.	Zorg ervoor dat de accuspanning binnen het juiste bereik ligt.
'Lage accu'	De accuspanning is laag.	Laad de accu op of controleer de accu-aansluitingen.
'Laag opgeladen accu' (Uitschakelen)	De omvormer schakelt uit omdat de accuspanning te laag is.	Laad de accu op of controleer de accu-aansluitingen.
'Overbelasting'	De omvormerbelasting is hoger dan de nominale belasting.	Verlaag de belasting.
'Overbelasting' (Uitschakelen)	De omvormer wordt uitgeschakeld vanwege een te hoge belasting.	Verlaag de belasting.
'Te hoge temperatuur'	De omgevingstemperatuur is te hoog of de belasting is te hoog.	Installeer de converter in een koele en goed geventileerde omgeving, of verlaag de belasting.
'Lage Bat V overbelasting' (Uitschakelen)	Lage accuspanning en te hoge belasting.	Laad de acc's op, ontkoppel of verlaag de belasting of installeer accu's met een hogere capaciteit. Gebruik kortere en/of dikkere accukabels.
'Hoge DC-rimpel'	De rimpelspanning op de DC-aansluiting overschrijdt 1,5 Vrms.	Controleer de accukabels en accu-aansluitingen. Controleer of de accucapaciteit hoog genoeg is en verhoog het indien nodig.
'DC-rimpel uitgeschakeld'	De omvormer wordt uitgeschakeld door een te hoge rimpelspanning op de ingang.	Installeer accu's met een hogere capaciteit. Plaats kortere en/of dikkere accukabels en herstel de omvormer (zet het uit en weer aan).
De acculader werkt niet.	De wisselstroomingangsspanning of frequentie valt niet binnen het ingestelde bereik.	Zorg ervoor dat de wisselstroomingang tussen 185 VAC en 265 VAC ligt en dat de frequentie binnen het ingestelde bereik ligt (standaardinstelling 45-65 Hz).
	De stroomonderbreker of zekering in de AC-in ingang staat open als gevolg van overbelasting.	Verwijder overbelasting of kortsluiting op AC-out-1 of AC-out-2 en herstel zekering/onderbreker.
	De zekering van de accu is gesprongen.	Vervang de zekering van de accu.
	De vervorming of de AC-ingangsspanning is te groot (over het algemeen generatorvoeding).	Schakel de instellingen WeakAC en dynamische stroombegrenzer in.
De acculader werkt niet. 'Bulk-beveiliging' weergegeven.	EasySolar-II GX staat in de 'Bulk-beveiligingsmodus', dus de maximale bulklaadtijd van 10 uur is overschreden. Een dergelijke lange oplaadtijd kan wijzen op een systeemfout (bv. een kortsluiting in de accuel).	Controleer uw accu's. OPMERKING: U kunt de foutmodus opnieuw instellen door de EasySolar-II GX uit en weer in te schakelen. De standaard fabrieksinstelling van de 'Bulk-beveiligingsmodus' van de EasySolar-II GX is ingeschakeld. De modus 'Bulk-beveiliging' kan alleen met behulp van VEConfigure worden uitgeschakeld.
De accu is niet volledig opgeladen.	Laadstroom te is hoog, voortijdige absorptiefase.	Stel de laadstroom in op een niveau van tussen 0,1 en 0,2 keer de accucapaciteit.
	Slechte accu-aansluiting.	Controleer de accu-aansluitingen.
	De absorptiespanning is ingesteld op een incorrect niveau (te laag).	Stel de absorptiespanning in op het juiste niveau.
	De druppelspanning is ingesteld op een onjuist niveau (te laag).	Stel de druppelspanning in op het juiste niveau.

	De beschikbare oplaadtijd is te kort om de accu volledig op te laden.	Selecteer een langere laadtijd of hogere laadstroom.
	De absorptietijd is te kort. In het geval van adaptief opladen kan dit worden veroorzaakt door een extreem hoge laadstroom ten opzichte van de accucapaciteit, waardoor de bulktijd onvoldoende is.	Verminder de laadstroom of selecteer de 'vaste' laadkenmerken.
De accu is overladen.	De absorptiespanning is ingesteld op een onjuist niveau (te hoog).	Stel de absorptiespanning in op het juiste niveau.
	De druppelspanning is ingesteld op een onjuist niveau (te hoog).	Stel de druppelspanning in op het juiste niveau.
	Slechte accuconditie.	Vervang de accu.
	De accutemperatuur is te hoog (door slechte ventilatie, te hoge omgevingstemperatuur of te hoge laadstroom).	Verbeter de ventilatie, installeer accu's in een koelere omgeving, verminder de laadstroom, en sluit de temperatuursensor aan.
De laadstroom daalt naar 0 zodra de absorptiefase start.	Defecte accutemperatuursensor	Koppel de stekker van de temperatuursensor los in de EasySolar-II GX. Als het opladen na ongeveer 1 minuut correct functioneert, moet de temperatuursensor worden vervangen.
	De accu is oververhit (+50°C)	Installeer het product in een koelere omgeving.
		Een gereduceerde laadstroom
		Controleer of een van de accucellen een interne kortsluiting heeft

11.2 VE.Bus-foutcodes

Een VE.Bus-systeem kan verschillende foutcodes weergeven. Deze codes worden weergegeven op het GX-scherm aan de voorkant.

Om een VE.Bus-foutcode correct te interpretern, moet u de documentatie van de VE.Bus-foutcodes raadplegen - https://www.victronenergy.com/live/ve.bus:ve.bus_error_codes.

Code	Betekenis:	Oorzaak/oplossing:
1	Apparaat wordt uitgeschakeld omdat een van de andere fasen in het systeem is uitgeschakeld.	Controleer de falende fase.
3	Niet alle of meer dan de verwachte apparaten zijn gevonden in het systeem.	Het systeem is niet correct geconfigureerd. Configureer het systeem opnieuw. Als de fout aanhoudt, is er mogelijk een communicatiekabelfout. Controleer de kabels en zet alle apparatuur uit en weer aan.
4	Geen enkel ander apparaat gedetecteerd.	Controleer de communicatiekabels.
5	Overspanning op AC-out.	Controleer de AC-kabels.
10	Probleem systeemtijdsynchronisatie opgetreden.	Dit zou niet moeten voorkomen in correct geïnstalleerde apparatuur. Controleer de communicatiekabels.
14	Apparaat kan geen gegevens verzenden.	Controleer de communicatiekabels (er kan een kortsluiting zijn).
17	Een van de apparaten heeft de 'master'-status aangenomen, omdat de oorspronkelijke master heeft gefaald.	Controleer de defecte eenheid. Controleer de communicatiekabels.
18	Er is overspanning opgetreden.	Controleer AC-kabels.
22	Dit apparaat kan niet als 'slave' functioneren.	Dit apparaat is een verouderd en ongeschikt model. Het moet worden vervangen.
24	Beveiliging van het omschakelsysteem geïnitieerd.	Dit zou niet moeten voorkomen in correct geïnstalleerde apparatuur. Zet alle apparatuur uit en weer aan. Als het probleem zich opnieuw voordoet, controleer dan de installatie. Mogelijke oplossing: verhoog de ondergrens van de AC-ingangsspanning tot 210 VAC (fabrieksinstelling is 180 VAC)
25	Incompatibiliteit van firmware. De firmware van een van de aangesloten apparaten is niet voldoende geactualiseerd om in combinatie met dit apparaat te werken.	1) Zet alle apparatuur uit. 2) Zet het apparaat dat deze foutmelding retourneert aan. 3) Zet alle andere apparaten één voor één aan, totdat het foutbericht opnieuw optreedt. 4) Actualiseer de firmware bij in het laatste apparaat dat was aangezet.
26	Interne fout.	Dit zou niet moeten voorkomen. Zet alle apparatuur uit en weer aan. Neem contact op met Victron Energy als het probleem zich blijft voordoen.

12. Technische specificaties

EasySolar-II GX	OMVORMER/ACCULADER	
PowerControl & PowerAssist	Ja	
Omschakelaar	32 A	
Maximale AC-ingangsstroom	32 A	
Hulpuitgang	32 A	
	OMVORMER	
Ingangsspanningsbereik	38 – 66 V	
Uitgang	Uitgangsspanning: 230 VAC ± 2%	Frequentie: 50 Hz ± 0,1% (1)
Cont. uitgangsvermogen bij 25°C (3)	3000 VA/2400 W	
Cont. uitgangsvermogen bij 40°C/65°C	2200 W/1700 W	
Maximale schijnbare ingangsvermogen	2500 VA	
Piekvermogen	5500 W	
Maximale efficiëntie	95%	
Nullastvermogen	11 W	
Nullastvermogen in AES-modus	7 W	
Nullastvermogen in Zoekmodus	2 W	
	LADER	
AC-ingang	Ingangsspanningsbereik: 187-265 VAC	Ingangsfrequentie: 45 – 65 Hz
Laadspanning 'absorptie'	57,6 V	
Laadspanning 'druppel'	55,2 V	
Opslagmodus	52,8 V	
Maximale accu-laadstroom (4)	35 A	
Accutemperatuursensor	Ja	
Programmeerbaar relais (5)	Ja	
Beveiliging (2)	a - g	
VE.Bus-communicatiepoort	Voor parallele en driefasenwerking, monitoring op afstand en systeemintegratie	
Communicatiepoort voor algemene	Ja, 2x	
	SMARTSOLAR MPPT 250/70-Tr	
Model	SMARTSOLAR MPPT 250/70-Tr	
Maximale uitgangsstroom	70 A	
Maximaal PV-vermogen	4000 W	
Maximale PV open circuit-spanning	250 V	
Maximale efficiëntie	98%	
Eigen verbruik	20 mA	
Laadspanning 'absorptie' standaard	57,6 V	
Laadspanning 'druppelladen', standaard	55,2 V	
Beveiliging (2)	a-e	
	ALGEMEEN	
Interfaces	BMS-Can-poort (VE.Can niet ondersteund), usb, Ethernet, VE.Direct, wifi	
Op afstand bediende aan/uit-functie	Ja	
Bedrijfstemperatuurbereik	-40 tot + 65°C (ventilatorondersteunde koeling)	
Vochtigheid (niet-condenserend):	max. 95%	
	BEHUIZING	
Materiaal & Kleur	Staal, blauw RAL 5012	
Beveiligingscategorie	IP21	
Accu-aansluiting	M8 bouten	
PV-aansluiting	M6 bouten	
230V AC-connectie	Schroefaansluitklemmen 13 mm ² (6 AWG)	
Gewicht	26 kg	
Afmetingen (hxbxd)	506 x 275 x 147 mm	
	NORMEN	
Veiligheid	EN-IEC 60335-1, EN-IEC 60335-2-29	
Emissie / immuuniteit	EN 55014-1, EN 55014-2 EN-IEC 61000-3-2, EN-IEC 61000-3-3 IEC 61000-6-1, IEC 61000-6-2, IEC 61000-6-3	
Eilandbedrijf-beveiliging	Bekijk onze website	
1) Kan worden aangepast naar 60 Hz 2) Beveiligingsleutel: a) kortsluiting bij uitgang b) overbelasting c) accu spanning te hoog d) accu spanning te laag e) temperatuur te hoog f) 230 VAC op omvormeruitvoer g) ingangsspanning met een te hoge rimpel	3) Niet-lineair belasting, topfactor 3:1 4) Bij 25°C omgevingstemperatuur 5) Programmeerbaar relais dat kan worden ingesteld voor algemeen alarm, DC-onderspanning of start/stopfunctie van het aggregaat. AC-classificatie: 230 V / 4 A, DC-classificatie: 4 A tot 35 VDC en 1 A tot 60 VDC	

12. TECHNISCHE SPECIFICATIES - GX-apparaat

GX-apparaat	GEBRUIKERSINTERFACE
Schermb	Schermb van 2x16 karakters
Externe Console	Ja
Zoemer	Ja
VE.Direct-communicatiepoort	
VE.Direct-poorten (altijd geïsoleerd)	1
Aangewezen BMS-Can-poort (VE.Can niet)	2 parallele RJ45-contacten – geïsoleerd
VE.Bus	2 parallele RJ45-contacten – geïsoleerd
Producten die niet van Victron zijn	
Canbus-BMS-accu's	Veel accumerken. Zie handleiding voor details
Fronius PV-omvormers	Zie handleiding voor details
SMA PV-omvormers	Zie handleiding voor details
ABB PV-omvormers	Zie handleiding voor details
SolarEdge PV-omvormers	Zie handleiding voor details
COMMUNICATIE	
usb	1 Usb Host-poort - niet geïsoleerd
Ethernet	10/100 RJ45-bouten
wifi	ingebouwd
Bluetooth Smart	nee
Micro SDcard-sleuf	nee
Tweede CAN-bus-poort	nee
VE.Can-poort	nee
Ingebouwde RS485	nee
IO	
Programmeerbare relais ⁽⁷⁾	nvt
Ingangen resistief tankniveau	nee
Ingangen temperatuurdetectie	nee
Digitale ingangen	nee
PRESTATIE	
CPU	quad core
RAM	512 MB
Max.VE.Direct-apparaten ⁽¹⁾	25
CPU	quad core
OVERIGE	
Voedingsspanning	intern aangedreven, geen externe voeding
Montage	Ingebouwd
Bedrijfstemperatuur	-20 tot +50°C
Door accu gewaarborgde klok	Ja

EN

NL

FR

DE

ES

SE

IT

Bijlage

1. Introduction

Le Victron EasySolar-II GX intègre les composants suivants :

- Un puissant convertisseur/chargeur MultiPlus-II
- Un contrôleur de charge solaire SmartSolar MPPT
- Un appareil GX avec écran de 2x 16 caractères.

Ces éléments sont livrés pré-branchés et pré-configurés, le tout à l'intérieur d'une seule unité. La plupart des installations s'en trouvent grandement simplifiées, et le gain de temps et d'argent est considérable.

Ce document explique comment tous les composants se doivent être disposés ensemble, comment installer le produit et quelle documentation utiliser pour sa configuration et d'autres détails concernant ses différentes parties.

Ce document présente les points suivants :

- Fonctions
- Comportement
- Caractéristiques
- Limitations
- Instructions d'installation
- Étapes de dépannages

Vous devez lire ce manuel pour comprendre comment utiliser votre produit de manière sûre et fiable.

Ce manuel s'applique au :

- EasySolar-II GX 48/3000/35-32

2. Documentation la plus récente

Vous pouvez accéder rapidement à la dernière version de ce manuel en ligne en vous rendant sur le lien suivant : <https://docs.victronenergy.com/easysolar-ii-gx.html>

3. Consignes de sécurité

Veillez d'abord lire la documentation fournie avec cet appareil avant de l'utiliser, afin de vous familiariser avec les symboles de sécurité. Cet appareil a été conçu et testé conformément aux normes internationales. Le produit ne doit être utilisé que pour l'application désignée.

ATTENTION : RISQUE DE DÉCHARGE ÉLECTRIQUE

L'appareil est utilisé conjointement avec une source d'énergie permanente (batterie). Même si l'appareil est hors tension, les bornes d'entrée et/ou de sortie peuvent présenter une tension électrique dangereuse. Toujours couper l'alimentation CA et débrancher la batterie avant d'effectuer une maintenance.

L'appareil ne contient aucun élément interne pouvant être réparé. Ne pas démonter le panneau avant et ne pas mettre l'appareil en marche tant que tous les panneaux ne sont pas mis en place. Toute maintenance doit être réalisée par du personnel qualifié.

Ne jamais utiliser l'appareil dans un endroit présentant un risque d'explosion de gaz ou de poussière. Consultez les caractéristiques fournies par le fabricant pour vous assurer que la batterie est adaptée à cet appareil. Les instructions de sécurité du fabricant de la batterie doivent toujours être respectées.

Cet appareil n'est pas prévu pour être utilisé par des personnes (dont les enfants) ayant un handicap physique, sensoriel ou mental, ou un manque d'expérience et de connaissances, sauf si elles se trouvent sous la supervision ou si elles ont reçu des instructions concernant l'utilisation de l'appareil d'une personne responsable de leur sécurité. Les enfants doivent être surveillés pour être sûr qu'ils ne jouent pas avec l'appareil.

ATTENTION : Ne soulevez pas d'objets lourds sans assistance

3.1. Transport et stockage

Lors du stockage ou du transport de l'appareil, s'assurer que l'alimentation secteur et les bornes de la batterie sont débranchées.

Nous déclinons toute responsabilité en ce qui concerne les dommages lors du transport, si l'appareil n'est pas transporté dans son emballage d'origine.

Stocker l'appareil dans un endroit sec ; la température de stockage doit être comprise entre -20 C et +60°C.

Se référer au manuel du fabricant de la batterie pour tout ce qui concerne le transport, le stockage, la charge, la recharge et l'élimination de la batterie.

Protéger les modules solaires contre la lumière incidente durant l'installation, par exemple en les recouvrant.

Ne jamais toucher les bouts de câbles non isolés.

N'utiliser que des outils isolés.

3.2 Mise à la terre

Configuration de mise à la terre de la batterie : le chargeur peut être configuré comme un système de masse négative ou positive.

Remarque : n'installez qu'une seule connexion de mise à la terre (de préférence à proximité de la batterie) pour éviter le dysfonctionnement du système.

- Mise à la terre du châssis : Un chemin de masse séparé pour la mise à la terre du châssis est autorisé car il est isolé de la borne positive et négative.
- NEC requiert l'utilisation d'un appareil externe de protection contre les défaillances de la mise à la terre (GFPD). Ces chargeurs MPPT ne disposent pas d'une protection interne contre les défaillances de mise à la terre. Le pôle négatif électrique du système devra être connecté à la masse à travers un GFPD et à un seul endroit (et juste un seul).
- Le chargeur ne doit pas être connecté à des champs PV mis à la terre. (Une connexion de masse uniquement)
- Le positif et le négatif du générateur photovoltaïque ne doivent pas être mis à la terre. Mettez à la terre le cadre des panneaux photovoltaïques pour réduire le possible impact de la foudre.

LORSQU'UNE DÉFAILLANCE DE LA MISE À LA TERRE EST INDIQUÉE, LES BORNES DE LA BATTERIE ET LES CIRCUITS CONNECTÉS RISQUENT DE NE PLUS ÊTRE À LA MASSE ET DEVENIR DANGEREUX.

4. Description du produit

La base du produit est un convertisseur sinusoïdal extrêmement puissant, un chargeur de batterie et un commutateur de transfert dans un boîtier compact. Il est adapté pour une utilisation dans la marine, l'automobile et les applications terrestres fixes.

4.1. Fonctionnalités applicables à toutes les applications

4.1.1 Écran LCD GX

Un écran d'affichage rétroéclairé de 2 x 16 caractères affiche les paramètres du système.

4.1.2 Connexions BMS-Can

La connexion BMS-Can permet de connecter des batteries BMS de CAN-bus de 500 kbps compatibles. Les produits VE.Can comme par exemple les chargeurs solaires Victron MPPT ou un Lynx Shunt VE.Can ne sont PAS pris en charge.

4.1.3 Ethernet et Wifi

Les connexions Ethernet et Wifi permettent la surveillance du système local et à distance, ainsi que la connexion au portail VRM gratuit de Victron pour des informations à long terme sur les performances du système.

4.1.4 Commutation automatique et sans interruption

Dans le cas d'une panne d'alimentation ou lorsque le générateur est arrêté, l'appareil bascule en mode convertisseur et reprend l'alimentation des appareils connectés. Ce transfert est si rapide que le fonctionnement des ordinateurs et des autres appareils électroniques n'est pas perturbé (Système d'alimentation sans Interruption ou fonction UPS). Cela fait de cet appareil un système d'alimentation de secours parfaitement adapté aux applications industrielles et de télécommunications.

4.1.5 Deux Sorties CA

En plus de la sortie sans interruption habituelle (AC-out-1), une sortie auxiliaire (AC-out-2) est disponible et elle déconnecte sa charge en cas de fonctionnement de la batterie. Exemple : une chaudière électrique ne pouvant fonctionner que si le générateur est en marche ou si une puissance de quai est disponible. Il existe plusieurs applications pour AC-out-2.

4.1.6 Capacité en triphasée

L'unité peut être connectée à d'autres et configurée pour une sortie triphasée. Jusqu'à 6 ensembles de trois peuvent être connectés en parallèle pour fournir une puissance d'onduleur de 45 kW / 54 kVA et une capacité de charge supérieure à 600 A.

4.1.7 PowerControl - utilisation maximale d'une alimentation CA limitée

Le produit peut fournir un énorme courant de charge. Cela implique une demande importante d'énergie en provenance du secteur CA ou du générateur. Par conséquent, une puissance maximale peut être définie. L'appareil prend alors en compte les autres utilisateurs et utilise uniquement « l'excédent » pour charger les batteries.

4.1.8 PowerAssist - Utilisation étendue du générateur ou du courant de quai

Cette caractéristique élève le principe de PowerControl à une dimension supplémentaire permettant au produit de compléter la capacité de la source alternative. Lorsque la puissance de pointe n'est souvent requise que pendant une période limitée, l'appareil s'assurera qu'une alimentation secteur ou un générateur CA insuffisant est immédiatement compensé par l'alimentation de la batterie. Et lorsque la demande diminuera, l'excédent de puissance sera utilisé pour recharger les batteries.

4.1.9 Programmable

Tous les réglages peuvent être modifiés grâce à un PC et un logiciel gratuit, disponible en téléchargement sur notre site web www.victronenergy.com Consultez ce manuel pour plus d'informations - <https://docs.victronenergy.com/veconfigure.html>

4.1.10 Relais programmable

Le produit est équipé d'un relais programmable. Ce relais peut être programmé pour tout type d'applications, comme par exemple en tant que [relais de démarrage d'un générateur](#).

4.1.11 Transformateur de courant externe (en option)

Option de transformateur de courant externe pour implémenter PowerControl et PowerAssist avec détection de courant externe.

4.1.12 Ports d'entrée/sortie analogique/numérique programmables (Aux in 1 et Aux in 2. Voir Annexe)

Le produit est équipé de deux ports d'entrée/sortie analogique/numérique. Ces ports peuvent être utilisés de différentes manières. Une application possible consiste à communiquer avec le BMS d'une batterie au lithium-ion

4.2 Caractéristiques des systèmes spécifiques au réseau et hors réseau combinés avec PV

4.2.1 Transformateur de courant externe (en option)

Lorsqu'il est utilisé dans une topologie parallèle au réseau, le transformateur de courant interne ne peut mesurer le courant allant ou venant du secteur. Dans ce cas, un transformateur de courant externe doit être utilisé. Voir l'annexe A. Contactez votre distributeur Victron pour plus d'informations sur ce type d'installation.

4.2.2 Décalage de fréquence

Lorsque les convertisseurs solaires sont connectés à la sortie CA du produit, l'énergie solaire en excès est utilisée pour recharger les batteries. Dès que la tension d'absorption est atteinte, le courant de charge se réduira et l'excédent sera renvoyé dans le secteur. Si le secteur n'est pas disponible, le produit augmentera légèrement la fréquence AC pour réduire la puissance de le convertisseur solaire.

4.2.3 Moniteur de batterie intégré

La solution idéale est que l'appareil fasse partie d'un système hybride (générateur diesel, convertisseurs/chargeurs, accumulateur, et énergie alternative). Le moniteur de batterie intégré peut être configuré pour démarrer ou arrêter le générateur :

- Démarrer à un niveau de décharge préconfiguré de %, et/ou
- Démarrer (avec un retard préconfiguré) à une tension de batterie préconfigurée, et/ou
- Démarrer (avec un retard préconfiguré) à un niveau de charge préconfiguré.
- Arrêter à une tension de batterie préconfigurée, ou
- Arrêter (avec un retard préconfiguré) après l'achèvement de la phase de charge Bulk, et/ou
- Arrêter (avec un retard préconfiguré) à un niveau de charge préconfiguré.

4.2.4 Fonctionnement autonome en cas de défaillance du réseau

Les maisons ou les bâtiments équipés de panneaux solaires, ou d'une microcentrale énergétique pour l'électricité et le chauffage, ou bien d'autres sources d'énergie durable, disposent ainsi d'une puissance électrique autonome qui peut être utilisée pour les équipements indispensables (pompes de chauffage central, réfrigérateurs, congélateurs, connexions Internet, etc.) lors d'une panne de courant. Cependant, un problème subsiste : ces sources d'énergie durable connectées au réseau sont coupées dès que celui-ci tombe en panne. L'utilisation d'un des produits et de batteries peut résoudre ce problème : **l'appareil peut remplacer le réseau pendant une panne de courant**. Lorsque les sources d'énergie durables produisent plus d'énergie que nécessaire, l'appareil utilisera le surplus pour charger les batteries; en cas de manque, l'appareil fournira une alimentation supplémentaire à partir de la batterie

4.3 Chargeur de batterie

4.3.1 Batteries au plomb

Algorithme de charge adaptative à 4 étapes : Bulk – absorption - Float – stockage

Le système de gestion de batterie adaptative contrôlé par microprocesseur peut être réglé pour divers types de batteries. La fonction « adaptative » adapte automatiquement le processus de charge à l'utilisation de la batterie.

La quantité correcte de charge : durée d'absorption variable

Dans le cas d'un léger déchargement de batterie, l'absorption est maintenue réduite afin d'empêcher une surcharge et une formation de gaz excessive. Après un déchargement important, le temps d'absorption est automatiquement élevé afin de charger complètement la batterie.

Prévention des détériorations dues au gazage : le mode BatterySafe

Si, pour recharger rapidement une batterie, un courant de charge élevé est associé à une tension d'absorption élevée, la détérioration due à un gazage excessif sera évitée en limitant automatiquement la progression de la tension, dès que la tension de gazage aura été atteinte.

Moins d'entretien et de vieillissement quand la batterie n'est pas utilisée : le Mode stockage

Le mode stockage se déclenche lorsque la batterie n'a pas été sollicitée pendant 24 heures. En mode stockage, la tension Float est réduite à 2,2V/cellule (13,2V pour une batterie de 12V) pour minimiser le gazage et la corrosion des plaques positives. Une fois par semaine, la tension est relevée au niveau d'absorption pour « égaliser » la batterie. Ce procédé empêche la stratification de l'électrolyte et la sulfatation, causes majeures du vieillissement prématuré des batteries.

Sonde de tension de batterie : la tension de charge correcte

La perte de tension due à la résistance des câbles peut être compensée en utilisant un dispositif de lecture de tension directement sur le bus CC ou sur les bornes de la batterie.

Tension de batterie et compensation de température

La sonde de température, qui est fournie avec le produit, sert à réduire la tension de charge quand la température de la batterie augmente. Ceci est particulièrement important pour les batteries sans entretien qui pourraient se dessécher suite à une surcharge.

4.3.2 Batteries au lithium-ion

Smart batteries LiFePO4 de Victron

Utilisez le BMS du VE.Bus

4.3.3 Autres batteries au lithium-ion

Veuillez consulter https://www.victronenergy.com/live/battery_compatibility:start

4.3.4 Plus d'informations sur les batteries et le chargement des batteries

Notre livre « Énergie sans limites » donne de plus amples informations sur les batteries et leur charge. Il est disponible gratuitement sur notre site: www.victronenergy.com/support-and-downloads/whitepapers
Pour davantage d'informations sur les caractéristiques de charge adaptative, veuillez vous référer à la section « Infos Techniques » sur notre site Web.

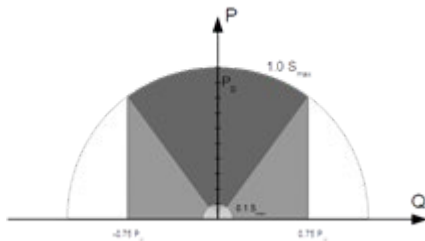
4.4 ESS - Systèmes de stockage d'énergie: réinjecter de l'énergie dans le réseau

Lorsque cet appareil est utilisé dans une configuration dans laquelle il réinjectera de l'énergie dans le réseau, il est nécessaire d'activer la conformité du code de réseau en sélectionnant le paramètre de pays de code de réseau approprié avec l'outil VEConfigure.

Une fois définie, un mot de passe sera nécessaire pour désactiver cette conformité au code de réseau ou pour modifier les paramètres concernant ce code. Contactez votre distributeur Victron si vous avez besoin de ce mot de passe.

Selon le code de réseau, il existe plusieurs modes de contrôle de la puissance réactive :

- Cos fixe φ
- Cos φ en fonction de P
- Q fixe
- Q en fonction de la tension d'entrée



Capacité de puissance réactive

Si le code de réseau local n'est pas pris en charge par le produit, un périphérique d'interface certifié externe doit être utilisé pour connecter le produit au réseau.

Le produit peut également être utilisé comme un convertisseur bidirectionnel fonctionnant parallèlement au réseau, intégré dans un système conçu par le client (PLC ou autre) qui prend en charge la boucle de contrôle et la mesure du réseau,

Note spéciale concernant NRS-097 (Afrique du Sud)

1. L'impédance maximale autorisée du réseau est de $0,28 \Omega + j 0,18 \Omega$
2. Le convertisseur remplit l'exigence de déséquilibre dans le cas de plusieurs unités monophasées uniquement lorsque le Color Control GX fait partie de l'installation.

Notes spéciales concernant AS 4777.2 (Australie/Nouvelle-Zélande)

1. La certification et l'approbation CEC pour une utilisation hors réseau n'implique PAS l'approbation pour les installations interactives au réseau. Une certification supplémentaire selon CEI 62109.2 et AS 4777.2.2015 est requise avant la mise en œuvre de systèmes interactifs au réseau. Veuillez consulter le site Web du Clean Energy Council pour les approbations actuelles.

2. DRM - Mode de réponse à la demande Lorsque le code de réseau AS4777.2 a été sélectionné dans VEConfigure, la fonctionnalité DRM 0 est disponible sur le port AUX1 (voir annexe A. Pour permettre la connexion au réseau, une résistance comprise entre 5kOhm et 16kOhm doit être présente entre les bornes de port AUX1 (marqué + et -). Cet appareil se déconnectera du réseau en cas de circuit ouvert ou de court-circuit entre les bornes du port AUX1. La tension maximale qui peut se trouver sur les bornes du port AUX1 est de 5 V. Sinon, si la fonction DRM 0 n'est pas requise, elle peut être désactivée avec VEConfigure.

5. Fonctionnement

Commutateur on/off/chargeur-uniquement

L'interrupteur est situé sur la face inférieure en bas à droite de cet appareil.

L'interrupteur a trois positions. La position centrale 0 signifie Désactivé (Off). La position I signifie Activée (On) et la position II signifie Chargeur uniquement .

Lorsqu'il est réglé sur « I / On » (basculé vers l'avant de l'unité), le produit se met en marche et le convertisseur est entièrement fonctionnel.

Si une tension CA est connectée à la borne « AC in », elle sera commutée via la borne « AC out », si elle est conforme aux spécifications. Le convertisseur s'éteint et le chargeur commence à se charger. « Bulk », « Absorption » ou « Float » s'afficheront, selon le mode du chargeur.

Si la tension de la borne « AC in » est rejetée, le convertisseur se met en marche (On).

Lorsque l'interrupteur est réglé sur « II / Chargeur uniquement », seul le chargeur de batterie du Multi fonctionne (si la tension secteur est présente). Dans ce mode, la tension d'entrée est également dirigée sur la borne « AC-out ».

REMARQUE : Lorsque seule la fonction chargeur est requise, assurez-vous que l'interrupteur est réglé sur « II / Chargeur uniquement ». Cela empêchera la mise en marche du convertisseur en cas de coupure de l'alimentation secteur, ce qui aurait pour conséquence de vider les batteries.

6. Interface LCD du GX

L'écran d'affichage présentera des informations utiles sur votre système.

6.1 Fonctionnement de Marche (On)/Arrêt (Off)

Lorsque le produit est éteint avec l'interrupteur physique de l'appareil ou avec les bornes On/Off à distance, la carte GX est également éteinte. Si vous changez de produit à distance, à l'aide d'un multi-contrôle numérique, la carte GX restera alimentée. De plus, lorsque vous éteignez le convertisseur/chargeur depuis les menus GX, la carte GX reste alimentée. Enfin, lorsque le convertisseur/chargeur s'éteint en raison d'une alarme, comme une batterie faible ou une surchauffe, la carte GX restera également alimentée et fonctionnelle.

6.2 Fonctionnement des boutons-poussoirs

Lorsque la carte GX est allumée, appuyez sur le bouton à côté de l'écran pour activer le rétroéclairage. Le rétroéclairage s'éteint au bout de 5 minutes.

Une fois le rétroéclairage activé, appuyez à nouveau sur le bouton pour parcourir les options d'affichage disponibles. Certaines options s'affichent automatiquement et d'autres ont besoin d'une pression sur un bouton pour s'afficher.

6.3 Informations affichées

- État de l'énergie solaire, de la Tension et de la Charge (étant connecté)
- Codes de motif ESS/DVCC (étant actifs)
- Rendement quotidien solaire
- État de charge du convertisseur/chargeur (par exemple Bulk, ESS)
- État de Charge, Puissance et Tension de la batterie
- Adresse IP réseau et type de connexion (étant connecté).
- Puissance d'entrée et de sortie CA

Dans un système à plusieurs phases, des informations supplémentaires sur l'entrée et la sortie CA seront disponibles, par exemple :

- Tension et Alimentation d'entrée CA de phase 1.
- Tension et Alimentation de sortie CA de phase 1.
- Tension et Alimentation d'entrée CA de phase 2.
- Tension et Alimentation de sortie CA de phase 2.
- Tension et Alimentation d'entrée CA de phase 3.
- Tension et Alimentation de sortie CA de phase 3.

6.4 Affichage du code d'erreur

S'il y a une erreur avec le système, le code d'erreur sera affiché à l'écran. L'écran affichera les numéros de code d'erreur VE.Bus et les codes d'erreur MPPT (étant connecté).

Les informations de base sur les codes d'erreur VE.Bus se trouvent dans la section Indications d'erreur.

Pour plus de détails sur les codes d'erreur, veuillez consulter :

[VE.Bus Error Codes](#)

[MPPT Error Codes](#)

L'erreur s'affiche jusqu'à ce qu'elle soit effacée.

7. Connexion du panneau photovoltaïque (PV)

7.1 Dimensionnement du panneau

Nous vous recommandons d'utiliser la [calculatrice de dimensionnement MPPT disponible sur notre site Web](#).

- Le contrôleur ne fonctionnera que si la tension PV dépasse la tension de la batterie (Vbat).
- La tension PV doit dépasser Vbat +5 V pour que le contrôleur se mette en marche. Ensuite, la tension PV minimale est Vbat +1 V
- La Tension maximale en circuit ouvert du panneau photovoltaïque est de 250 V.
- Le courant de court-circuit maximum du panneau photovoltaïque est de 35 V.

Par exemple :

- Nombre minimal de cellules en série : 144 cellules (4 panneaux de 12 V ou 2 panneaux de 24 V en série).
- Maximum : 360 cellules (panneau de 10x 12 V ou 5x 24 en série).

Remarque : à basse température, la tension en circuit ouvert d'un réseau de 360 cellules peut dépasser 250 V, selon les conditions locales et les spécifications des cellules. Dans ce cas, le nombre de cellules en série doit être réduit.

Le composant MPPT de l'EasySolar-II GX est préprogrammé à 48 V pour répondre aux exigences du convertisseur/chargeur inclus.

7.2 Connexion

1. Connectez la batterie.
2. Connectez le générateur solaire aux goujons solaires M6. Remarque : s'il est connecté avec une polarité inversée, le contrôleur chauffera mais ne chargera pas la batterie.

Notez que le fusible de 100 A ne peut pas être remplacé par l'utilisateur final. Une fois brûlée, l'unité doit être retournée à un agent de service pour être réparée. Il ne brûle qu'après la défaillance des autres composants de l'appareil.

8. Installation

Ce produit contient des tensions potentiellement dangereuses. Il ne doit être installé que sous la supervision d'un installateur qualifié ayant la formation appropriée et soumis aux exigences locales. Veuillez contacter Victron Energy pour plus d'informations ou la formation nécessaire

8.1 Emplacement

Le produit doit être installé dans un endroit sec et bien ventilé, aussi près que possible des batteries. Conserver un espace libre d'au moins 10 cm autour de l'appareil pour son refroidissement.

ATTENTION : Une température ambiante trop élevée aura les conséquences suivantes :

- Réduction de la longévité.
- Courant de charge réduit.
- Puissance de crête réduite ou arrêt total du convertisseur. Ne jamais placer l'appareil directement au-dessus des batteries.

Ce produit convient peut être monté au mur. Pour le montage, un crochet et deux orifices sont disponibles à l'arrière du boîtier (voir l'annexe G). L'appareil peut être monté horizontalement ou verticalement. Pour un refroidissement optimal, le montage vertical est préférable.

ATTENTION : L'intérieur de l'appareil doit rester accessible après l'installation.

Conservez une distance minimale entre l'appareil et les batteries afin de réduire les pertes de tension dans les câbles. Pour des raisons de sécurité, cet appareil doit être installé dans un environnement résistant à la chaleur. Évitez la présence de produits tels que des produits chimiques, des composants synthétiques, des rideaux ou d'autres textiles, à proximité de l'appareil.

8.2 Raccordement des câbles de batterie

Pour bénéficier de la puissance maximale de l'appareil, il est nécessaire d'utiliser des batteries de capacité suffisante et des câbles de section suffisante. Voir tableau.

	48/3000/35
Capacité de batterie recommandée (Ah)	100-400
Fusible CC recommandé	125 A
Section recommandée (mm ²) par borne de raccordement + et -	
0 – 5 m	35 mm ²
5 – 10 m	70 mm ²

Remarque : la résistance interne est un facteur important si vous utilisez des batteries de faible capacité. Veuillez consulter votre fournisseur ou les chapitres correspondants dans notre livre « Énergie Sans Limites », téléchargeable sur notre site web.

8.3 Procédure de connexion de la batterie

Procédez comme suit pour raccorder les câbles de batterie :

ATTENTION : Utilisez une clé à pipe isolante afin d'éviter de court-circuiter la batterie.

Moment de force maximal : 14 Nm Évitez de court-circuiter les câbles de batterie.

ATTENTION : Des soins spécifiques et une attention particulière doivent être prises lors des connexions de la batterie. La polarité correcte doit être confirmée avec un multimètre avant la connexion. La connexion d'une batterie avec une polarité incorrecte détruira l'appareil et n'est pas couverte par la garantie.

- Desserrez les deux vis au bas du boîtier et retirez le panneau de service.
- Connectez les câbles de la batterie. D'abord le câble - puis le +. N'oubliez pas qu'il peut y avoir une étincelle lors de brancher la batterie.
- Serrer les écrous aux couples prescrits pour une résistance de contact minimale.

8.4 Raccordement du câblage CA

AVERTISSEMENT

Il s'agit d'un produit de classe de sécurité I (fourni avec une borne de terre pour des raisons de sécurité). Ses bornes d'entrée et / ou de sortie CA et/ou son point de mise à la terre à l'intérieur du produit doivent être pourvus d'un point de mise à la terre sans interruption pour des raisons de sécurité. voir l'annexe A.

Sur une installation fixe, une mise à la terre sans coupure peut être sécurisée au moyen du câble de terre de l'entrée CA. Autrement, le boîtier doit être mis à la masse.

Ce produit est fourni avec un relais de mise à la terre (relais H, voir l'annexe B) qui **connecte automatiquement la sortie neutre au châssis si aucune alimentation CA externe n'est disponible**. Lorsqu'une source externe CA est fournie, le relais de terre H s'ouvre avant que le relais de sécurité d'entrée ne se ferme. Cela permet le fonctionnement correct d'un disjoncteur de fuite à la terre connecté sur la sortie.

Pour les installations mobiles, (par exemple avec une prise de courant de quai), le fait d'interrompre la connexion de quai va déconnecter simultanément la connexion de mise à la terre. Dans ce cas, le boîtier de l'appareil doit être raccordé au châssis (du véhicule), ou à la plaque de terre ou à la coque (du bateau). Dans le cas de bateaux, une connexion directe

à la terre n'est pas recommandée en raison des risques de corrosion galvaniques. Dans ce cas, la solution est l'utilisation d'un transformateur d'isolement. **Couple : 2 Nm**

Les borniers sont disponibles sur la carte du circuit imprimé. Voir Annexe A.

Ne pas inverser le fil du neutre et celui de la phase en branchant l'alimentation CA.

Le convertisseur incorpore un transformateur d'isolation de fréquence du secteur. Il permet d'éviter d'avoir du courant CC sur un port CA. Un disjoncteur différentiel de type A peut donc être utilisé.

- **AC-in** Le câble d'entrée AC peut être connecté au bornier « AC – in ». De gauche à droite : « N" (neutre), "PE" (terre) et "L" (phase) **L'entrée CA doit être protégée par un fusible ou un disjoncteur magnétique évalué à 32 A ou moins, et la section des câbles doit être dimensionnée en conséquence.** Si la valeur nominale de la puissance d'entrée CA est inférieure, le fusible ou le disjoncteur magnétique doit être calibré en conséquence.
- **AC-out-1** Le câble de sortie AC peut être connecté directement au bornier « AC-out ». De gauche à droite : "N" (neutre), "PE" (terre) et "L" (phase) Grâce à sa fonction PowerAssist, le Multi peut ajouter jusqu'à 3 kVA (soit $3000/230 = 13$ A) à la sortie pendant les périodes de pic de puissance. Avec un courant d'entrée maximal de 32A, cela signifie que la sortie peut alimenter jusqu'à $32 + 13 = 45$ A. Un disjoncteur de fuite à la terre et un fusible ou un coupe-circuit destiné à supporter la charge attendue, doivent être inclus en série avec la sortie, et la section du câble doit être dimensionnée en conséquence.
- **AC-out-2** Une seconde sortie est disponible pour déconnecter sa charge en cas de fonctionnement de la batterie. Sur ces bornes, l'équipement connecté ne peut fonctionner que si la tension CA est disponible sur AC-in-1, par exemple, une chaudière électrique ou un climatiseur. La charge sur AC-out-2 est déconnectée immédiatement lorsque le convertisseur/chargeur passe en mode batterie. Une fois que la puissance CA est disponible en AC-in-1, la charge en AC-out-2 se reconnectera après un laps de temps d'environ 2 minutes. Ceci permettra de stabiliser un générateur.

8.5 Raccordements en option

Un certain nombre de connexions optionnelles sont possibles :

8.5.1 Commande à distance

L'appareil peut être contrôlé à distance de deux façons.

- Avec un interrupteur externe (borne de connexion M, voir Annexe A). Fonctionne uniquement si l'interrupteur de l'appareil est réglé sur « Marche (On) ».
- Avec un panneau Digital Multi Control (connecté à l'une des deux prises RJ45 L, voir Annexe A). Fonctionne uniquement si l'interrupteur de l'appareil est réglé sur « Marche (On) »

Le panneau Digital Multi Control possède un bouton rotatif avec lequel le courant maximum de l'entrée CA peut être réglé : voir PowerControl et PowerAssist.

8.5.2 Relais programmable

Le produit est équipé d'un relais programmable.

Ce relai peut être programmé pour tout type d'applications, comme par exemple en tant que relais de démarrage d'un générateur.

8.5.3 Ports programmables d'entrée/sortie analogique/numérique

Le produit est équipé de deux ports d'entrée/sortie analogique/numérique.

Ces ports peuvent être utilisés de différentes manières. Une application possible consiste à communiquer avec le BMS d'une batterie au lithium-Ion.

8.5.4 Détection de tension (borne de connexion J, voir Annexe A)

Pour compenser des pertes possibles dans les câbles au cours du processus de charge, une sonde à deux fils peut être raccordée directement à la batterie ou aux points de distribution positifs ou négatifs afin de pouvoir mesurer la tension. Utilisez des câbles avec une section de $0,75$ mm².

Pendant la charge de la batterie, le convertisseur/chargeur compensera la chute de tension sur les câbles CC jusqu'à un maximum de 1 Volt (soit 1 V sur la connexion positive et 1 V sur la connexion négative). S'il y a un risque que les chutes de tension soient plus importantes que 1 V, le courant de charge sera limité de telle manière que la chute de tension restera limitée à 1 V.

8.5.5 Capteur de température (borne de connexion J, voir Annexe A)

Pour une charge compensée en température, le capteur de température (fourni avec le convertisseur/chargeur) peut être connecté. La sonde est isolée et doit être fixée à la borne négative de la batterie.

8.5.6 Connexion en parallèle

Il est nécessaire d'utiliser des unités identiques pour les systèmes triphasés et parallèles. Dans ce cas, comme un seul appareil GX est autorisé par système, si vous souhaitez mettre en parallèle et/ou triphasé avec ce produit, vous devez trouver le même modèle MultiPlus-II à coupler.

Pour vous aider à trouver des unités identiques, envisagez plutôt d'utiliser MultiPlus-II pour les systèmes parallèles et triphasés, et un appareil GX externe.

Jusqu'à six unités peuvent être raccordées en parallèle. Lors de la connexion de ce produit avec MultiPlus-II dans un système parallèle, les conditions suivantes doivent être remplies :

AVERTISSEMENT

- Il est essentiel que la borne négative de la batterie entre les unités soit toujours connectée. Un fusible ou un disjoncteur n'est pas autorisé sur le négatif.
- Toutes les unités doivent être connectées à la même batterie.
- Un maximum de six unités peut être connecté en parallèle.
- Les appareils doivent être identiques (à l'exception de la partie GX) et avoir le même firmware.
- Les câbles de raccordement CC entre les appareils doivent être de longueur égale et de section identique.
- Si un point de distribution CC positif et négatif est utilisé, la section de la connexion entre les batteries et le point de distribution CC doit au moins être égale à la somme des sections transversales requises des connexions entre le point de distribution et les unités.
- Connectez toujours les câbles négatifs de la batterie avant de placer les câbles UTP.
- Placez les unités les unes à côté des autres, mais laissez au moins 10 cm à des fins de ventilation sous, au-dessus et à côté des unités.
- Les câbles UTP doivent être branchés directement entre les appareils (et le tableau de commande). Les boîtiers de connexion/séparation ne sont pas autorisés.
- Un seul moyen de commande à distance (tableau ou interrupteur) peut être raccordé au **système**. Cela veut dire un seul GX.

8.5.7 Fonctionnement en triphasé

Le produit peut également être utilisé en configuration étoile (Y) triphasée. Pour ce faire, une connexion est établie entre les appareils par l'intermédiaire de câbles standard RJ-45 UTP (comme pour le fonctionnement en parallèle). Le **système** aura besoin de réglage supplémentaire.

Conditions préalables : voir la section Détection de tension

1. Remarque : le produit n'est pas adapté à une configuration delta (Δ) triphasée.
2. Lorsque le code de réseau AS4777.2 a été sélectionné dans VEConfigure, seules 2 unités en parallèle par phase sont autorisées dans un système triphasé.

Pour plus de détails sur la configuration parallèle et triphasée, discutez toujours d'abord avec votre distributeur Victron et consultez ce manuel spécifique https://www.victronenergy.com/live/ve.bus:manual_parallel_and_three_phase_systems

8.5.8 Connexion au portail VRM

La connexion du produit à VRM nécessite une connexion Internet. Cela peut être fait via le wifi, ou de préférence un câble Ethernet câblé vers un routeur connecté sur Internet.

L'ID du site VRM est situé sur un autocollant à l'intérieur de la zone de connexion des câbles de l'appareil.

Pour plus d'informations sur la configuration de VRM, reportez-vous au Manuel [VRM Getting Started Manual](#)

9. Configuration

Cette section est principalement destinée aux applications autonomes

Pour les systèmes de stockage d'énergie connectés au réseau (ESS), veuillez consulter

<https://www.victronenergy.com/live/ess:start>

- Les paramètres ne peuvent être modifiés que par un installateur qualifié et qualifié, et soumis aux exigences locales. Veuillez contacter Victron pour plus d'informations ou la formation nécessaire.
- Lisez attentivement les instructions avant toute modification.
- Pendant la configuration du chargeur, l'entrée CA doit être débranchée.

9.1 Configuration standard : prêt à l'emploi

À la livraison, le produit est réglé sur les valeurs d'usine standard. En général, ces réglages sont adaptés au fonctionnement d'un seul appareil.

AVERTISSEMENT

il est possible que la tension de charge des batteries par défaut ne soit pas adaptée à vos batteries ! Consultez la documentation du fabricant ou le fournisseur de vos batteries !

Réglages d'usine standard

Paramètres	Valeur
Fréquence du convertisseur	50 Hz
Plage de fréquence d'entrée	45 – 65 Hz
Plage de tension d'alimentation	180 - 265 VCA
Tension du convertisseur	230 VCA
Indépendant / Parallèle / Triphasé	Autonome
AES (Automatic Economy Switch)	off
Relais de terre	on
Chargeur on / off	on
Courbe de charge de la batterie	adaptative en quatre étapes avec mode BatterySafe
Courant de charge	100% du courant de charge maximal
Type de batterie	Victron Gel Deep Discharge (adapté également au type Victron AGM Deep Discharge)
Charge d'égalisation automatique	off
Tension d'absorption	57,6V
Durée d'absorption	jusqu'à 8 heures (en fonction de la durée bulk)
Tension Float	55,2V
Tension de veille	52,8V (non réglable)
Durée d'absorption répétée	1 heure
Intervalle de répétition d'absorption	7 jours
Protection Bulk	on
Limite de courant d'entrée CA	32A (= limite de courant réglable pour les fonctions PowerControl et PowerAssist)
Fonction UPS	on
Limiteur de courant dynamique	off
WeakAC	off
BoostFactor	2
Relais programmable	Fonction d'alarme
PowerAssist	on

9.2 Explication des réglages

Les réglages non explicites sont brièvement décrits ci-dessous. Pour plus d'informations, reportez-vous aux fichiers d'aide des programmes de configuration logicielle.

Fréquence du convertisseur

La fréquence de sortie si aucune tension CA n'est présente sur l'entrée.

Réglage : 50 Hz ; 60 Hz

Plage de fréquence d'entrée

Plage de fréquences d'entrée acceptée. L'appareil se synchronise dans cette plage avec la fréquence d'entrée CA. La fréquence de sortie est alors égale à la fréquence d'entrée.

Réglage : 45 – 65 Hz; 45 – 55 Hz; 55 – 65 Hz

Plage de tension d'alimentation

Plage de tension acceptée. L'appareil se synchronise dans cette plage avec l'entrée CA. La tension de sortie est alors égale à la tension d'entrée.

Réglage :

Limite inférieure : 180 – 230 V

Limite supérieure : 230 – 270 V

Remarque : la configuration de la limite inférieure standard de 180 V est prévue pour une connexion à une alimentation principale faible, ou à un générateur avec une sortie CA instable. La configuration pourrait impliquer l'arrêt du système connecté à un générateur CA synchrone, avec régulation de tension extérieure, à oscillations libres, sans balai (générateur AVR synchrone). La plupart des générateurs configurés à 10 kVA ou plus sont des générateurs AVR synchrones. L'arrêt commence quand le générateur est stoppé et baisse de régime pendant que l'AVR essaie simultanément de maintenir la tension de sortie du générateur à 230 V.

La solution consiste à augmenter le réglage de la limite inférieure à 210VAC (la sortie des générateurs AVR est généralement très stable), ou à déconnecter le produit du générateur lorsqu'un signal d'arrêt du générateur est donné (à l'aide d'un contacteur CA installé en série avec le Générateur).

Tension du convertisseur

Tension de sortie en fonctionnement sur batterie.

Réglage : 210 – 245 V

Fonctionnement autonome / parallèle / réglage 2-3 phases

En utilisant plusieurs appareils, il est possible de :

- augmenter la puissance totale du convertisseur (plusieurs appareils en parallèle).
- créer un système en phase divisée avec un autotransformateur séparé : voir la fiche technique et le manuel relatif à l'autotransformateur.
- créer un système triphasé.

Les paramètres standard du produit concernent un seul appareil en fonctionnement autonome.

AES (Automatic Economy Switch)

Si ce réglage est défini sur « on » et si aucune charge n'est disponible ou avec des charges faibles, la consommation électrique sera réduite d'environ 20 % en « rétrécissant » légèrement la tension sinusoïdale. Applicable uniquement à une configuration indépendante.

Mode Recherche

Au lieu du mode AES, le **mode Recherche** peut également être choisi. Si le mode Recherche est en position « On », la consommation de puissance, si aucune charge n'est disponible, se réduit d'environ 70%. Dans ce mode, lorsque l'appareil fonctionne en mode convertisseur, il s'éteint en cas d'absence de charge ou de charge très faible, et s'allume toutes les deux secondes pendant une courte période. Si le courant de charge dépasse le niveau défini, le convertisseur continue à fonctionner. Dans le cas contraire, le convertisseur s'arrête à nouveau.

Les niveaux de charge du mode Recherche « shut down » (déconnecté) et « remain on » (rester allumé) peuvent être configurés avec VEConfigure.

Les paramètres par défaut sont :

Action	Seuil
Fermer	40 Watt (charge linéaire)
Allumer	100 Watt (charge linéaire)

Relais de terre (voir l'annexe B)

Avec ce relais, le conducteur neutre de la sortie CA est mis à la terre au châssis, lorsque le relais de réalimentation/sécurité est ouvert. Cela permet le fonctionnement correct des disjoncteurs de fuite à la terre sur la sortie. Si cela est nécessaire, un relai de terre externe peut être connecté (pour un système à phase séparée avec un autotransformateur séparé) Voir l'Annexe A.

Algorithme de charge de batterie

La charge standard est « adaptative en quatre étapes avec le mode BatterySafe ».

Il s'agit de l'algorithme de charge recommandé pour les batteries au plomb. Consultez les fichiers d'aide du logiciel de configuration pour en savoir plus sur les autres fonctionnalités.

Type de batterie

La configuration standard est la plus adaptée pour des batteries Victron à électrolyte gélifié et à décharge poussée, les batteries Exide A200 à électrolyte gélifié et les batteries fixes à plaques tubulaires (OPzS). Cette configuration peut également être utilisée pour de nombreuses autres batteries, telles que les batteries Victron AGM à décharge poussée et d'autres batteries AGM, et de nombreux types de batteries ouvertes à plaques planes et à électrolyte liquide. Avec VEConfigure, la courbe de charge peut être ajustée pour charger tout type de batterie (batteries au nickel-cadmium, batteries au Lithium-Ion).

Durée d'absorption

Dans le cas de configuration standard de « Charge adaptative en quatre étapes avec le Mode BatterySafe, la durée d'absorption dépendra de la durée Bulk (courbe de charge adaptative), ce qui permet de charger la batterie de manière optimale.

9.2.1 Égalisation

Les batteries de traction nécessitent une charge normale supplémentaire. En mode égalisation, le produit se charge avec une tension accrue pendant une heure (4V pour une batterie 48V). Le courant de charge est alors limité à 1/4 de la valeur définie.

Le mode d'égalisation fournit une tension de charge plus élevée que celle que peut supporter la plupart des appareils consommateurs de CC. Ces derniers doivent être débranchés avant de commencer un cycle d'égalisation.

Charge d'égalisation automatique

Cette configuration est destinée aux batteries de traction à électrolyte liquide avec plaques tubulaires ou OPzS. Pendant l'absorption, la limite de tension augmente à 2,83 V/ cellule (68V pour les batteries de 48V) une fois que le courant de charge est réduit à moins de 10 % du courant maximal configuré.

Voir la « courbe de charge des batteries de traction à plaque tubulaire » dans VEConfigure.

Tension de stockage, temps d'absorption répété, intervalle de répétition d'absorption

Voir l'Annexe E.

Protection Bulk

Lorsque ce paramètre est défini sur « on », la durée de la charge Bulk est limitée à 10 heures. Un temps de charge supérieure peut indiquer une erreur système (par exemple le court-circuit d'une cellule de batterie).

Limite de courant d'entrée CA

Il s'agit de la configuration de la limite de courant qui déclenche l'activation des fonctions PowerControl et PowerAssist.

Plage de configuration du PowerAssist : de 5,3 à 32A.

Configuration d'usine : la valeur maximale (32A).

Fonction UPS

Si ce paramètre est sur « On » et que AC sur l'entrée échoue, le produit passe pratiquement en mode Convertisseur sans interruption.

La tension de sortie de certains petits générateurs est trop instable et déformée pour utiliser ce paramètre - le produit basculerait continuellement en mode Convertisseur. Pour cette raison, ce paramètre peut être désactivé. Le produit répondra alors moins rapidement aux écarts de tension d'entrée CA. Le temps de basculement en mode convertisseur est donc légèrement plus long, mais cela n'a aucun impact négatif pour la plupart des équipements (ordinateurs, horloges ou appareils ménagers).

Recommandation : Cet appareil répondra alors moins rapidement aux écarts de tension d'entrée CA.

Limiteur de courant dynamique

Conçue pour les générateurs, la tension CA est générée au moyen d'un convertisseur statique (appelé générateur « convertisseur »). Sur ces générateurs, les tr/min du moteur sont modérés si la charge est faible : cela réduit le bruit, la consommation de carburant et la pollution. L'inconvénient est que la tension de sortie chutera gravement, ou même sera totalement coupée, dans le cas d'une augmentation brusque de la charge. Une charge supérieure peut être fournie uniquement après que le moteur a accéléré sa vitesse.

Si ce paramètre est défini sur « on », l'appareil commencera à délivrer plus de puissance à un faible niveau de sortie du générateur et il permettra progressivement à ce dernier de fournir davantage d'alimentation, jusqu'à ce que la limite de courant définie soit atteinte. Cela permet au moteur du générateur d'accélérer sa vitesse.

Ce paramètre est également souvent utilisé pour les générateurs « classiques » qui répondent lentement aux variations brusques de charge.

Entrée CA faible (WeakAC)

Une forte déformation de la tension d'entrée peut entraîner un moins bon fonctionnement ou l'arrêt total du fonctionnement du chargeur. Si la fonction WeakAC est activée, le chargeur acceptera également une tension fortement déformée, au prix d'une déformation plus importante du courant d'entrée.

Recommandation : activez WeakAC si le chargeur charge mal ou pas du tout (ce qui est plutôt rare !). De même, activez simultanément le limiteur de courant dynamique et réduisez le courant de charge maximal pour empêcher la surcharge du générateurs si nécessaire.

Remarque : quand la fonction WeakAC est allumée, le courant de charge maximal est réduit d'environ 20%.

BoostFactor Cette valeur ajuste le comportement de PowerAssist. Si vous rencontrez des problèmes avec PowerAssist (par exemple une surcharge), veuillez consulter un spécialiste formé par Victron Energy avant de tenter de le modifier.

Relais programmable

L'appareil est équipé de 3 relais programmables. Ces relais peuvent être programmés pour tout type d'applications, comme par exemple en tant que relais de démarrage d'un générateur.

Sortie CA auxiliaire (AC-out-2)

Prévues pour des charges n'étant pas cruciales et directement connectées à l'entrée CA. Avec circuit de mesure de courant pour activer PowerAssist.

9.3 Convertisseur/chargeur

Pour plus d'informations sur la configuration du composant convertisseur/chargeur de l'EasySolar-II GX, veuillez consulter les manuels [MultiPlus-II manuals](#)

La fonctionnalité de programmation complète du convertisseur/chargeur nécessite l'utilisation d'un ordinateur portable avec [VEConfigure](#). Une configuration limitée est aussi possible avec [VictronConnect](#)

9.4 Contrôleur de charge SmartSolar MPPT 250/70

Le chargeur solaire est configuré à l'aide de VictronConnect. La méthode la plus simple pour se connecter à la partie chargeur solaire est par Bluetooth. Cela fonctionne avec Android, iOS et macOS. Ne fonctionne pas avec Windows.

Si vous devez utiliser Windows, débranchez le câble VE.Direct du Chargeur solaire et utilisez un [câble d'interface USB VE.Direct](#) pour votre ordinateur portable Windows. Une fois terminé, reconnectez le câble VE.Direct qui relie le dispositif GX interne au chargeur solaire.

Pour la documentation complète du MPPT inclus dans l'EasySolar-II GX, veuillez vous référer aux documents suivants :

- [SmartSolar MPPT 250/70 documentation](#)
- [VictronConnect MPPT Solar Chargers](#)
- [VictronConnect manual](#)

10. Maintenance

Le produit n'a pas besoin d'entretien particulier. Il suffit de vérifier les raccordements une fois par an. Évitez l'humidité et l'huile/suie/vapeur, et conservez l'appareil propre.

11. Indications d'erreur

La procédure ci-dessous permet d'identifier rapidement la plupart des erreurs. Si une erreur ne peut pas être résolue, veuillez en référer à votre fournisseur Victron Energy.

11.1 Indication d'erreur générale

Problème	Cause possible	Solution possible
Pas de tension de sortie sur AC-out-2.	EasySolar-II GX en mode convertisseur	
L'unité ne passera pas en mode générateur ou secteur.	Le disjoncteur ou le fusible sur l'entrée AC-in est ouvert suite à une surcharge.	Supprimer la surcharge ou le court-circuit sur AC-out-1 ou AC-out-2 et remplacer le fusible/disjoncteur.
Le convertisseur ne démarre pas à la mise en marche.	La tension de batterie est trop haute ou trop basse. Aucune tension sur la connexion CC.	S'assurer que la tension de batterie est dans la plage correcte.
« Batterie faible »	La tension de batterie est faible.	Chargez la batterie ou vérifiez les raccordements de batterie.
« Batterie faible » (Arrêt)	Le convertisseur s'est arrêté parce que la tension de batterie est trop faible.	Chargez la batterie ou vérifiez les raccordements de batterie.
« Surcharge »	La charge du convertisseur est plus élevée que la charge nominale.	Réduisez la charge.
« Surcharge » (Arrêt)	Le convertisseur s'est arrêté parce que la charge est trop élevée.	Réduisez la charge.
« Surchauffe »	La température ambiante est élevée ou la charge est trop élevée.	Installer le convertisseur dans un environnement frais et bien ventilé ou réduire la charge.
« Surcharge batterie faible V » (Arrêt)	La tension de batterie est faible et la charge est trop élevée.	Charger les batteries, débrancher ou réduire la charge, ou installer des batteries d'une capacité supérieure. Installer des câbles de batterie plus courts et/ou plus épais.
« Ondulation CC élevée »	La tension d'ondulation sur la connexion CC dépasse 1,5 V rms.	Vérifier les raccordements de batterie et les câbles de batterie. Contrôler si la capacité de batterie est suffisamment élevée et l'augmenter si nécessaire.
« Arrêt d'ondulation CC »	Le convertisseur s'est arrêté parce que la tension d'ondulation est trop élevée sur l'entrée.	Installer des batteries avec une capacité plus grande. Installer des câbles de batterie plus courts et/ou plus épais, puis réinitialiser le convertisseur (arrêter et redémarrer).
Le chargeur ne fonctionne pas.	La tension ou la fréquence de l'entrée CA n'est pas dans la plage définie.	S'assurer que l'entrée CA est comprise entre 185 V CA et 265 V CA, et que la fréquence est dans la plage définie (45-65 Hz par défaut).
	Le disjoncteur ou le fusible sur l'entrée AC-in est ouvert suite à une surcharge.	Supprimer la surcharge ou le court-circuit sur AC-out-1 ou AC-out-2 et remplacer le fusible/disjoncteur.
	Le fusible de la batterie a grillé.	Remplacer le fusible de la batterie.
	La déformation ou la tension de l'entrée CA est trop grande (généralement alimentation générateurs).	Activer les paramètres WeakAC et limiteur de courant dynamique.
Le chargeur ne fonctionne pas. « Protection Bulk » affiché.	EasySolar-II GX est en mode « Protection Bulk » ainsi, le temps de charge en vrac (bulk) maximum de 10 heures est dépassé. Un temps de charge si long peut indiquer une erreur système (par exemple le court-circuit d'une cellule de batterie).	Vérifiez vos batteries. REMARQUE : Vous pouvez réinitialiser le mode d'erreur en éteignant puis en rallumant le EasySolar-II GX. Dans la configuration d'usine standard du EasySolar-II GX, le mode de « Protection Bulk » est activé. Le mode « Protection Bulk » ne peut être éteint qu'à l'aide du VEConfigure.
La batterie n'est pas complètement chargée.	Le courant de charge est trop élevé, provoquant une phase d'absorption prématurée.	Régler le courant de charge sur une valeur entre 0,1 et 0,2 fois la capacité de la batterie.
	Connexion de la batterie défectueuse.	Vérifier les branchements de la batterie.
	La tension d'absorption a été définie sur une valeur incorrecte (trop faible).	Régler la tension d'absorption sur une valeur correcte.

	La tension Float a été définie sur une valeur incorrecte (trop faible).	Régler la tension Float sur une valeur correcte.
	Le temps de charge disponible est trop court pour charger entièrement la batterie.	Sélectionner un temps de charge plus long ou un courant de charge plus élevé.
	La durée d'absorption est trop courte. Pour une charge adaptative, cela peut être provoqué par un courant de charge très élevé par rapport à la capacité de la batterie et, par conséquent, la durée en vrac (Bulk) est insuffisante.	Réduire le courant de charge ou sélectionner la caractéristique de charge fixe.
La batterie est surchargée.	La tension d'absorption est définie sur une valeur incorrecte (trop élevée).	Régler la tension d'absorption sur une valeur correcte.
	La tension Float est définie sur une valeur incorrecte (trop élevée).	Régler la tension Float sur une valeur correcte.
	Condition de la batterie défaillante.	Remplacez la batterie.
	La température de la batterie est trop élevée (à cause d'une ventilation insuffisante, d'une température ambiante trop élevée ou d'un courant de charge trop important).	Améliorer la ventilation, installer les batteries dans un environnement plus frais, réduire le courant de charge et raccorder le capteur de température.
Le courant de charge chute à 0 dès que la phase d'absorption démarre.	Sonde de température de la batterie défectueuse	Débranchez la fiche du capteur de température de l'EasySolar-II GX. Si la charge fonctionne correctement après environ 1 minute, c'est que la sonde de température doit être remplacée.
	La batterie est en surchauffe (+50°C)	Installer la batterie dans un environnement plus frais.
		Réduire le courant de charge.
		Vérifier si l'une des cellules de la batterie ne présente pas un court-circuit interne.

11.2 Code d'erreur du VE.Bus

Un système VE.Bus peut afficher différents codes d'erreur. Ces codes sont affichés sur l'écran d'affichage avant du GX. Pour interpréter correctement un code d'erreur VE.Bus, vous devez vous référer à la documentation des codes d'erreur VE.Bus - https://www.victronenergy.com/live/ve.bus:ve.bus_error_codes.

Code	Signification :	Cause/Solution :
1	L'appareil s'est arrêté parce que l'une des autres phases du système s'est arrêtée.	Vérifier la phase défaillante.
3	Tous les appareils prévus n'ont pas été trouvés dans le système ou trop d'appareils ont été trouvés.	Le système n'est pas correctement configuré. Reconfigurer le système. Si l'erreur persiste, possible erreur de câble de communication. Vérifier les câbles, arrêter tous les appareils et les redémarrer.
4	Pas d'autre appareil détecté.	Vérifier les câbles de communication.
5	Surtension sur AC-out.	Vérifier les câbles CA.
10	La synchronisation du temps système a rencontré un problème.	Cela ne doit pas se produire avec un appareil correctement installé. Vérifier les câbles de communication.
14	L'appareil ne peut pas transmettre de données.	Vérifier les câbles de communication (il peut exister un court-circuit).
17	L'un des appareils a pris le rôle de « maître » parce que le maître d'origine est en panne.	Vérifier l'appareil défaillant. Vérifier les câbles de communication.
18	Une surtension s'est produite.	Vérifier les câbles CA.
22	Cet appareil ne peut pas fonctionner comme « esclave ».	Cet appareil est un modèle inadapté et obsolète. Il doit être remplacé.
24	La protection du système de transfert s'est enclenchée.	Cela ne doit pas se produire avec un appareil correctement installé. Arrêter tous les appareils, puis les redémarrer. Si le problème persiste, vérifier l'installation. Solution possible: augmenter la limite inférieure de la tension d'entrée CA à 210 VCA (le réglage d'usine est de 180 VCA)
25	Incompatibilité du micrologiciel (firmware). Le micrologiciel de l'un des appareils connectés n'est pas suffisamment à jour pour fonctionner conjointement avec cet appareil.	1) Arrêter tous les appareils. 2) Mettre en marche l'appareil source de ce message d'erreur. 3) Mettre en marche tous les autres appareils un par un jusqu'à ce que le message d'erreur se produise à nouveau. 4) Mettre à jour le micrologiciel du dernier appareil mis en marche.
26	Erreur interne.	Ne doit pas se produire. Arrêter tous les appareils, puis les redémarrer. Contacter Victron Energy si le problème persiste.

12. Spécifications techniques

EasySolar-II GX	CONVERTISSEUR/CHARGEUR
PowerControl et PowerAssist	oui
Commutateur de transfert	32 A
Courant d'entrée CA maximal	32 A
Sortie auxiliaire	32 A
CONVERTISSEUR	
Plage de tension d'alimentation	38 – 66 V
Sortie	Tension de sortie : 230 VCA ± 2% Fréquence : 50 Hz ± 0,1% (1)
Puissance de sortie continue à 25 °C (3)	3000 VA / 2400 W
Puissance de sortie continue à 40 °C / 65 °C	2200 W / 1700 W
Puissance de renvoi maximale présumée	2500 VA
Puissance de crête	5500 W
Efficacité maximale	95 %
Consommation à vide	11 W
Consommation à vide en mode AES	7 W
Puissance de charge zéro en mode Recherche	2 W
CHARGEUR	
Entrée CA	Plage de tension d'alimentation : 187-265 VCA Fréquence d'entrée : 45 – 65 Hz
Tension de charge « d'absorption »	57,6 V
Tension de charge « Float »	55,2 V
Mode stockage	52,8 V
Courant de charge maximal de la batterie (4)	35 A
Capteur de température de la batterie	Oui
Relais programmable (5)	Oui
Protection (2)	a - g
Port de communication VE.Bus	Pour un fonctionnement en parallèle ou triphasé, suivi à distance et intégration du système
Port com. universel	Oui, 2x
SMARTSOLAR MPPT 250/70-Tr	
Modèle	SmartSolar MPPT 250/70-Tr
Intensité de sortie maximale	70 A
Puissance PV maximale	4000 W
Tension PV maximale de circuit ouvert	250 V
Efficacité maximale	98 %
Autoconsommation	20 mA
Tension d'absorption « absorption », par	57,6 V
Tension de charge « float », configuration par défaut	55,2 V
Protection (2)	a-e
GÉNÉRAL	
Interfaces	Port BMS-Can (VE.Can non pris en charge), USB, Ethernet, VE.Direct, Wi-Fi
Interrupteur on/off à distance	Oui
Plage de température d'exploitation	De - 40 à + 65 °C (refroidissement par ventilateur)
Humidité (sans condensation) :	95 % max.
BOÎTIER	
Matériau et couleur	Acier, bleu RAL 5012
Degré de protection	IP21
Raccordement de la batterie	Écrous M8
Connexion PV	Boulons M6
Connexion CA 230 V	Vis bornes 13 mm ² (6 AWG)
Poids	26 kg
Dimensions (h x l x p)	506 x 275 x 147 mm
NORMES	
Sécurité	EN-IEC 60335-1, EN-IEC 60335-2-29
Émission/Immunité	EN 55014-1, EN 55014-2 EN-IEC 61000-3-2, EN-IEC 61000-3-3 IEC 61000-6-1, IEC 61000-6-2, IEC 61000-6-3
Système anti-îlotage	Voir notre site internet.
1) Peut être réglé sur 60 Hz 2) Touche de protection : a) court-circuit en sortie b) surcharge c) tension de batterie trop élevée d) tension de batterie trop faible e) température trop élevée f) 230 VCA sur sortie du convertisseur g) ondulation de la tension d'entrée trop élevée	3) Charge non linéaire, facteur de crête 3:1 4) À une température ambiante de 25 °C 5) Relais programmable pouvant être configuré comme alerte générale, alerte de sous-tension CC ou fonction de démarrage/arrêt du générateur. Valeur nominale CA : 230 V / 4 A, Rendement CC : 4 A jusqu'à 35 V CC, 1 A jusqu'à 60 V CC

12. CARACTÉRISTIQUES TECHNIQUES - Appareil GX

Appareil GX	INTERFACE D'UTILISATEUR
Affichage	Écran Écran 2x16 caractères
Console à distance	oui
Buzzer	oui
	Port de communication Victron
Ports VE.Direct (toujours isolés)	1
Port BMS-Can dédié (VE.Can non pris en charge)	2 connecteurs RJ45 en parallèle – isolés
VE.Bus	2 connecteurs RJ45 en parallèle – isolés
	Produits non Victron
Batteries Canbus-BMS	De nombreuses marques de batteries. Voir ici pour plus de détails
Convertisseurs PV Fronius	Voir ici pour plus de détails
Convertisseurs PV SMA	Voir ici pour plus de détails
Convertisseurs PV ABB	Voir ici pour plus de détails
Convertisseurs PV SolarEdge	Voir ici pour plus de détails
	COMMUNICATIONS
USB	1 port USB Host – non isolé
Ethernet	Connecteur RJ45 10/100
WiFi	Intégré
Bluetooth Smart	non
Fente pour carte Micro SD	non
Deuxième port de bus CAN	non
Port VE.Can	non
RS485 intégré	non
	IO
Relais programmable ⁽⁷⁾	n/a
Entrées niveau réservoir résistif	non
Entrées de détection de température	non
Entrées numériques	non
	PEFORMANCE
CPU	quad core
RAM	512 Mo
Max. Appareils VE.Direct ⁽¹⁾	25
CPU	quad core
	AUTRE
Tension d'alimentation	alimenté en interne, pas d'alimentation externe
Montage	Intégré
Température d'exploitation	-20 à +50 °C
Horloge avec batterie de secours	oui

EN

NL

FR

DE

ES

SE

IT

Annexe

1. Einführung

Das Victron EasySolar-II GX integriert die folgenden Elemente:

- Ein leistungsstarker MultiPlus-II-Wechselrichter/Ladegerät
- Ein SmartSolar MPPT Solarladeregler
- Ein GX-Gerät mit einer 2x 16-stelligen Anzeige

Diese Elemente sind vorverkabelt und zusammen in einer einzigen Einheit vorkonfiguriert. Dies vereinfacht die meisten Installationen erheblich und spart Zeit und Geld.

Dieses Dokument erklärt, wie alle Komponenten zusammenpassen, wie das Produkt installiert wird und welche Dokumentation für die Konfiguration und andere Details der einzelnen Teile verwendet werden muss.

Dieses Dokument beschreibt:

- Eigenschaften
- Verhalten
- Technische Daten
- Einschränkungen
- Installationshinweise
- Schritte der Fehlerbehebung

Machen Sie sich unbedingt mit dieser Betriebsanleitung vertraut, um Ihr Produkt sicher und zuverlässig einsetzen können.

Diese Betriebsanleitung bezieht sich auf das Produkt:

- EasySolar-II GX 48/3000/35-32

2. Aktuellste Dokumentation

Sie können die neueste Version dieses Handbuchs schnell online abrufen, indem Sie den folgenden Link besuchen:

<https://docs.victronenergy.com/easysolar-ii-gx.html>

DE

NL

FR

DE

ES

SE

IT

Anhang

3. Sicherheitshinweise

Lesen Sie zuerst die mit diesem Produkt gelieferte Dokumentation, und machen Sie sich mit den Sicherheitskennzeichnungen und Sicherheitshinweisen vertraut, bevor Sie das Produkt verwenden. Dieses Produkt wurde in Übereinstimmung mit entsprechenden internationalen Normen und Standards entwickelt und erprobt. Das Produkt ist nur für die vorgesehene Anwendung zu verwenden.

WARNHINWEIS: GEFAHR DURCH STROMSCHLAG

Das Gerät wird in Verbindung mit einer ständigen Spannungsquelle (Batterie) benutzt. Auch bei ausgeschaltetem Produkt können an den Eingangs- und Ausgangsklemmen gefährliche elektrische Spannungen auftreten. Schalten Sie stets die Wechselstromversorgung aus und trennen Sie die Batterie ab, bevor Sie Wartungsarbeiten durchführen.

Das Gerät enthält keine vom Anwender wartbaren Komponenten. Entfernen Sie deshalb nie die Frontplatte und betreiben Sie es nie ohne, dass sämtliche Platten angebracht sind. Alle Wartungsarbeiten müssen von ausgebildeten Fachkräften durchgeführt werden.

Benutzen Sie das Gerät nie in gasgefährdeten oder staubbelasteten Räumen (Explosionsgefahr). Überprüfen Sie sich anhand der vom Batteriehersteller angegebenen technischen Daten, dass die Batterie für die Verwendung mit diesem Produkt geeignet ist. Beachten Sie stets die Sicherheitshinweise des Batterieherstellers.

Dieses Produkt ist nicht für die Verwendung durch Personen (einschließlich Kinder) mit eingeschränkten körperlichen, sensorischen oder geistigen Fähigkeiten oder mangelnder Erfahrung und Kenntnis bestimmt, es sei denn, sie werden von einer für ihre Sicherheit verantwortlichen Person beaufsichtigt oder wurden entsprechend unterwiesen. Kinder sind zu beaufsichtigen, um sicherzustellen, dass sie nicht mit dem Produkt spielen.

WARNHINWEIS: Heben Sie ohne Hilfe keine schweren Gegenstände

3.1 Transport und Lagerung

Achten Sie bei Lagerung oder dem Transport des Produkts darauf, dass die Netz- und Batterieleitungen abgetrennt sind. Die Gewährleistung für Transportschäden erlischt, bei Transport des Gerätes in einer anderen als der Originalverpackung.

Die Lagerung des Produktes muss in trockener Umgebung bei Temperaturen zwischen -20° und $+60^{\circ}$ °C erfolgen. Informationen zu Transport, Lagerung, Laden, Wiederaufladen und Entsorgung der Batterie finden Sie in der Betriebsanleitung des Batterieherstellers.

Schützen Sie die Solarmodule während der Installation vor Lichteinstrahlung, z. B. indem Sie sie abdecken.

Berühren Sie niemals nicht isolierte Kabelenden.

Verwenden Sie nur isolierte Werkzeuge.

3.2 Erdung

Batterieerdung: Dieses Gerät kann in einem Plus- oder Minuspolarisierungssystem installiert werden.

Hinweis: verwenden Sie nur eine einzige Erdungsverbindung (vorzugsweise in Nähe der Batterie), um eine Fehlfunktion des Systems zu verhindern.

- Gehäuseerdung: Ein separater Erdungspfad für die Gehäuseerdung ist zulässig, da dieser von Plus- und Minus-Anschluss isoliert ist.
- Der USA National Electrical Code (NEC) verlangt die Verwendung einer externen Erdschlussschutzeinrichtung (GFPD). Diese MPPT Ladegeräte verfügen nicht über einen internen Erdschlussschutz. Der elektrische Minuspol des Systems sollte über einen GFPD an einem (und nur an einem) Ort mit der Erde verbunden werden.
- Das Ladegerät darf nicht mit geerdeten PV-Anlagen verbunden werden. (nur ein Erdungsanschluss)
- Das Plus und Minus der PV-Anlage sollte nicht geerdet werden. Erden Sie den Rahmen der PV-Module, um die Auswirkungen von Blitzschlag zu reduzieren.

****WIRD EIN ERDUNGSFEHLER ANGEZEIGT; SIND DIE BATTERIEANSCHLÜSSE UND ANGESCHLOSSENEN STROMKREISE MÖGLICHERWEISE NICHT GEERDET UND GEFÄHRLICH.**

4. Produktbeschreibung

Basis des Produkts sind ein extrem leistungsstarker Sinuswechselrichter, ein Batterieladegerät und ein Transferschalter in einem kompakten Gehäuse. Das Produkt eignet sich für den Einsatz auf Schiffen, Kraftwagen, sowie für stationäre, landgestützte Anwendungen.

4.1. Merkmale, die für alle Anwendungen gelten

4.1.1 GX LCD-Anzeige

Eine hintergrundbeleuchtete Anzeige mit 2x 16 Zeichen zeigt die Systemparameter an.

4.1.2 BMS-Can Anschlüsse

Eine BMS-Can-Verbindung ermöglicht den Anschluss von kompatiblen 500 kbps CAN-Bus-BMS-Batterien. VE.Can-Produkte wie z.B. Victron MPPT Solarladegeräte oder ein Lynx Shunt VE.Can werden NICHT unterstützt.

4.1.3 Ethernet und WLAN

Ethernet- und WLAN-Verbindungen ermöglichen eine lokale und Fernsystemüberwachung sowie eine Verbindung zu Victrons kostenlosem VRM-Portal für langfristige Systemleistungsdaten.

4.1.4 Automatisches und unterbrechungsfreies Umschalten

Bei einem Netzausfall oder bei der Abschaltung des Generators schaltet das Produkt automatisch auf Wechselrichterbetrieb um und übernimmt die Versorgung der angeschlossenen Geräte. Dies geschieht so schnell, dass selbst Computer oder anderes elektronisches Gerät praktisch unterbrechungsfrei weiterarbeiten (Uninterruptible Power Supply oder UPS-Funktionalität). Dadurch eignet sich das Produkt hervorragend als Notstromversorgung in Industrie- und Telekommunikationsanwendungen.

4.1.5 Zwei AC-Ausgänge

Neben dem üblichen unterbrechungsfreien Ausgang (AC-out-1) steht ein Hilfsausgang (AC-out-2) zur Verfügung, der seine Last im Falle eines Batteriebetriebs abschaltet. Beispiel: ein Elektroboiler, der nur betrieben werden darf, wenn das Aggregat läuft oder Landstrom zur Verfügung steht. Es gibt mehrere Anwendungen für AC-Out-2.

4.1.6 Dreiphasenfähigkeit

Das Gerät kann mit anderen verbunden und für einen dreiphasigen Ausgang konfiguriert werden. Bis zu 6 Dreiergruppen können parallel geschaltet werden, um 45 kW / 54 kVA Wechselrichterleistung und mehr als 600A Ladekapazität bereitzustellen.

4.1.7 PowerControl - maximale Nutzung der begrenzten AC-Leistung

Das Produkt liefert sehr großen Ladestrom. Dies bedeutet für die Wechselstromversorgung bzw. den Generator eine starke Belastung. Aus diesem Grund kann ein Maximalstrom eingestellt werden. Das Produkt berücksichtigt dann andere Stromverbraucher und verwendet nur noch „überschüssigen“ Strom zum Laden.

4.1.8 PowerAssist - Erweiterte Nutzung von Generator- oder Landstrom

Diese Funktion bringt das Prinzip von PowerControl in eine weitere Dimension, um die Kapazität der alternativen Quelle zu ergänzen. Da Spitzenleistung oft nur für einen begrenzten Zeitraum benötigt wird, sorgt das Produkt dafür, dass unzureichende Netz- oder Generatorleistung sofort durch Strom aus der Batterie ausgeglichen wird. Wird die Last reduziert, d. h. werden Verbraucher ausgeschaltet, kann die dann wieder ausreichend vorhandene Energie zum Laden der Batterien genutzt werden.

4.1.9 Programmierbar

Alle Einstellungen können mit einem PC und kostenloser Software geändert werden, die von unserer Website www.victronenergy.com heruntergeladen werden kann. Siehe dieses Handbuch für weitere Informationen - <https://docs.victronenergy.com/veconfigure.html>

4.1.10 Programmierbares Relais

Das Gerät verfügt über ein programmierbares Relais. Das Relais kann für verschiedene Anwendungen umprogrammiert werden, z.B. als [Starterrelais für einen Generator](#).

4.1.11 Externer Stromwandler (optional)

Ein optionaler externer Stromwandler zur Implementierung von PowerControl und PowerAssist mit externer Strommessung.

4.1.12 Programmierbare analoge/digitale Ein-/Ausgangsports (Aux in 1 und Aux in 2, siehe Anhang)

Das Gerät verfügt über 2 analoge/digitale Eingangs-/Ausgangs-Ports.

Diese Ports lassen sich für verschiedene Zwecke nutzen. Eine Anwendung ist die Kommunikation mit dem BMS einer Lithium-Ionen-Batterie.

4.2 Verfügt über spezifische netzgebundene und netzferne Systeme in Kombination mit PV

4.2.1 Externer Stromwandler (optional)

In einer netz-parallelen Topologie kann der interne Stromwandler den Strom, der vom Netzanschluss kommt oder dort eingespeist wird nicht messen. In diesem Fall ist ein externer Stromwandler zu verwenden. Siehe Anhang A. Wenden Sie sich an Ihren Victron-Händler, um weitere Informationen zu dieser Einbauart zu erhalten.

4.2.2 Frequenzverschiebung

Wenn Solarwechselrichter an den Wechselstrom-Ausgang des Produkts angeschlossen werden, wird überschüssige Sonnenenergie zum Aufladen der Batterien verwendet. Nachdem die Konstanzspannung erreicht wurde, wird der Ladestrom reduziert und überschüssige Energie wird zurück in das Stromnetz eingespeist. Wenn das Stromnetz nicht verfügbar ist, erhöht das Produkt die Wechselstromfrequenz leicht, um die Leistung des Solarwechselrichters zu reduzieren.

4.2.3 Eingebauter Batterie-Monitor

Die ideale Lösung, wenn das Produkt Teil eines Hybridsystems ist (Dieselgenerator, Wechselrichter/Ladegeräte, Speicherbatterie und alternative Energie). Der eingebaute Batterie-Monitor kann so eingestellt werden, dass er den Generator ein- und ausschaltet.

- Einschalten bei einem vorgegebenen Prozentsatz des Entladungsgrades, bzw.
- Einschalten (mit einer vorgegebenen Verzögerung) bei einer vorgegebenen Batteriespannung, bzw.
- Einschalten (mit einer vorgegebenen Verzögerung) bei einer vorgegebenen Belastungsstufe.
- Anhalten bei einer vorgegebenen Batteriespannung, oder
- Anhalten (mit einer vorgegebenen Verzögerung) nachdem die Konstantstromphase abgeschlossen wurde, bzw.
- Anhalten (mit einer vorgegebenen Verzögerung) bei einer vorgegebenen Belastungsstufe.

4.2.4 Autonomer Betrieb bei Ausfall des Stromnetzes

Häuser und auch größere Gebäude mit Solar-Modulen oder kleinen kombinierten Kraft-Wärme Anlagen erzeugen oft genügend Energie, um während eines Stromausfalls zusätzlich wichtige Geräte zu versorgen (Heizungs-Umlauf-Pumpen, Kühlschrank, Tiefkühltruhe, Internet PC etc.). Leider fallen diese netzgekoppelten Energiequellen bei einem Netzausfall ebenfalls aus. Dieses Produkt löst das Problem zusammen mit seinen Batterien: **Das Produkt kann das Netz bei einem Stromausfall ersetzen.** Wenn die nachhaltigen Energiequellen mehr Strom produzieren, als benötigt wird, nutzt das Produkt den Überschuss zum Laden der Batterien; im Falle eines Ausfalls liefert das Produkt zusätzlichen Batteriestrom.

4.3 Batterieladegerät

4.3.1 Blei-Säure-Batterien

Adaptive 4-stufiger Ladealgorithmus: "Bulk" (Konstantstromphase) - "Absorption" (Konstantspannungsphase) - "Float" (Ladeerhaltungsspannungsphase)- "Storage" (Lagermodus)

Das durch Mikroprozessoren gesteuerte Batterieladungssystem kann den unterschiedlichen Batteriebauarten angepasst werden. Der Ladeprozess wird über eine adaptive Steuerung der Batterienutzung angepasst.

Die richtige Lademenge: variable Konstantspannungsphase

Bei nur geringen Entladungen wird die Konstantspannungszeit reduziert, um eventueller Überladung und damit verbundener stärkerer Gasentwicklung vorzubeugen. Andererseits wird nach einer Tiefentladung die Konstantspannungsphase automatisch so verlängert, dass wieder eine Vollladung erreicht wird.

Verhinderung von Schäden durch übermäßige Gasung: Der BatterySafe-Modus

Um die Ladezeit zu verkürzen, wird ein möglichst hoher Ladestrom in Verbindung mit einer hohen Konstantspannung angestrebt. Damit aber eine übermäßige Gasentwicklung gegen Ende der Konstantstromphase vermieden wird, wird die Geschwindigkeit des Spannungsanstiegs begrenzt, sobald die Gasungsspannung erreicht wird.

Weniger Wartung und Alterung im Ruhezustand der Batterie: der Lagerungs-Modus

Der Lagermodus wird immer dann aktiviert, wenn innerhalb von 24 Stunden keine Entladung erfolgt ist. Im Lager-Modus wird die Ladungserhaltungsspannung dann auf 2,2 V/Zelle (13,2 V für eine 12 V-Batterie) gesenkt, um Gasentwicklung und Korrosion an den positiven Platten zu minimieren. Einmal pro Woche wird die Spannung wieder auf Konstantspannung angehoben, um die Batterie auszugleichen. Dadurch wird eine Art Ausgleichsladen erzielt, die die Elektrolytschichtung und die Sulfatierung - die beiden Hauptgründe für vorzeitigen Batterieausfall - verhindert.

Batteriespannungsfühler: die richtige Ladespannung

Ein Spannungsverlust aufgrund des Kabelwiderstands lässt sich durch die Verwendung der Spannungssensor-Vorrichtung kompensieren. Damit wird die Spannung direkt am DC Bus oder an den Batterieanschlüssen gemessen.

Batteriespannung und Temperaturkompensation

Der Temperaturmessgeber (mit dem Produkt mitgeliefert) dient zur Reduzierung der Ladespannung bei Anstieg der Batterietemperatur. Dies ist besonders bei wartungsfreien Batterien von Bedeutung, da mit diesem Sensor eine Austrocknung durch Überladung verhindert wird.

4.3.2 Lithium-Ionen-Batterien

Victron LiFePO4 Intelligente Batterien

Verwenden Sie das VE.Bus BMS.

4.3.3 Andere Lithium-Ionen-Batterien

Siehe https://www.victronenergy.com/live/battery_compatibility:start

4.3.4 Mehr zu Batterien und dem Laden von Batterien

Unser Buch "Energy Unlimited - Energie Unbegrenzt" bietet weitere Informationen zu Batterien und Batterieladung und ist kostenlos auf unserer Website verfügbar: www.victronenergy.com/support-and-downloads/whitepapers
 Weitere Informationen zum adaptiven Laden finden Sie auch in den Allgemeinen Technischen Informationen auf unserer Website.

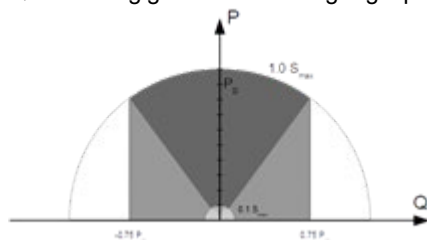
4.4 ESS – Energiespeichersysteme: Rückspeisung von Energie in das Netz

Wenn das Produkt in einer Konfiguration verwendet wird, in der es Energie in das Stromnetz zurückspeist, ist es erforderlich, die Einhaltung des Netzcodes zu ermöglichen, indem mit dem Tool VEConfigure die entsprechende Ländereinstellung für den Netzcode ausgewählt wird.

Nachdem die entsprechenden Anschlussbedingungen festgelegt wurden, können diese bzw. einzelne ihrer Parameter nur noch mithilfe eines Kennwortes deaktiviert oder verändert werden. Wenden Sie sich an Ihren Victron-Händler, wenn Sie dieses Kennwort benötigen.

Abhängig vom Netzcode gibt es mehrere Blindleistungsregelungen:

- Fester $\cos \varphi$
- $\cos \varphi$ in Abhängigkeit von P
- Festes Q
- Q in Abhängigkeit von der Eingangsspannung



Blindleistungsfähigkeit

Wenn der lokale Netzcode vom Produkt nicht unterstützt wird, sollte eine externe zertifizierte Schnittstellenvorrichtung verwendet werden, um das Produkt an das Stromnetz anzuschließen.

Das Produkt kann auch als zweiseitiger, netzunabhängiger Wechselrichter verwendet werden, der in ein kundenspezifisches System (SPS oder andere) integriert ist, das den Regelkreis und die Netzmessung übernimmt.

Besonderer Hinweis zu NRS-097 (Südafrika)

1. Die maximal zulässige Impedanz des Netzwerks beträgt $0,28\Omega + j0,18\Omega$
2. Der Wechselrichter erfüllt die Asymmetrieanforderung bei mehreren einphasigen Geräten nur, wenn der Color Control GX Teil der Installation ist.

Besondere Hinweise zu AS 4777.2 (Australien/Neuseeland)

1. Die Zertifizierung und CEC-Zulassung für die netzunabhängige Nutzung bedeutet KEINE Genehmigung für netzinteraktive Anlagen. Zusätzliche Zertifizierungen nach IEC 62109.2 und AS 4777.2.2015 sind erforderlich, um netzinteraktive Systeme implementiert zu können. Aktuelle Genehmigungen finden Sie auf der Website des Clean Energy Council.
2. DRM - Demand Response Mode Wenn der AS4777.2 Netzcode in VEConfigure ausgewählt wurde, ist die DRM 0-Funktionalität auf Port AUX1 verfügbar (siehe Anhang A). Um den Netzanschluss zu ermöglichen, muss

zwischen den Klemmen des Ports AUX1 (markiert mit + und -) ein Widerstand zwischen 5kOhm und 16kOhm vorhanden sein. Das Produkt trennt sich vom Netz, wenn ein offener Stromkreis vorliegt oder sich ein Kurzschluss zwischen den Anschlüssen von Port AUX1 ereignet. Die Höchstspannung, die zwischen den Anschlüssen von Port AUX1 anliegen darf ist 5 V. Alternativ kann diese Funktionalität mit VEConfigure deaktiviert werden, wenn DRM 0 nicht benötigt wird.

5. Betrieb

Schalter On/Off/Charger Only

Der Schalter befindet sich auf der Unterseite rechts unten am Produkt.

Der Schalter hat drei Stellungen. Die Mittelstellung 0 ist Aus. Die I-Stellung ist On und die II-Stellung ist „Charger Only“. Wenn auf 'I / On' (nach hinten geneigt) geschaltet wird, ist das Produkt in Betrieb und der Wechselrichter ist voll funktionsfähig.

Wenn eine Wechselspannung an die Klemme „AC In“ angeschlossen ist, wird sie auf die Klemme „AC Out“ durchgeschaltet, sofern sie innerhalb der Spezifikationen liegt. Der Wechselrichter schaltet sich aus und das Ladegerät beginnt mit dem Laden. 'Konstantstrom', 'Konstantspannung' und 'Ladungserhaltung' werden je nach Lademodus angezeigt.

Wird die Spannung an der Klemme „AC-In“ abgewiesen, schaltet sich der Wechselrichter ein.

Wenn der Schalter auf 'II / Charger Only' geschaltet ist, arbeitet nur das Ladegerät des Multifunktionsgeräts (insofern Netzspannung anliegt). In diesem Modus wird ebenfalls Eingangsspannung auf die Klemme "AC Out" durchgeschaltet.

HINWEIS: Vergewissern Sie sich, dass der Schalter auf 'II / Charger Only' geschaltet ist, wenn nur die Ladefunktion benötigt wird. Dies verhindert, dass sich der Wechselrichter bei Ausfall der Netzspannung einschaltet und die Batterien entlädt.

6. GX LCD-Schnittstelle

Auf der Anzeige werden nützliche Informationen über Ihr System angezeigt.

6.1 Ein/Aus-Verhalten

Wenn das Produkt mit dem physischen Schalter am Gerät oder mit den Fern-Ein/Aus-Klemmen ausgeschaltet wird, wird auch die GX-Karte deaktiviert. Wenn Sie das Produkt mit einer digitalen Multi-Steuerung fernbedient umschalten, bleibt die GX-Karte aktiviert. Auch wenn Sie den Wechselrichter/Ladegerät über die GX-Menüs ausschalten, bleibt die GX-Karte aktiviert.

Auch wenn sich der Wechselrichter/Ladegerät aufgrund eines Alarms, wie einem niedrigen Batterieladezustand oder Übertemperatur, abschaltet, bleibt die GX-Karte aktiviert und funktionsfähig.

6.2 Verhalten der Drucktasten

Bei aktivierter GX-Karte wird durch Drücken der Taste neben der Anzeige die Hintergrundbeleuchtung eingeschaltet. Die Hintergrundbeleuchtung schaltet sich nach 5 Minuten von selbst aus.

Bei eingeschalteter Hintergrundbeleuchtung wird durch erneutes Drücken der Taste durch die verfügbaren Anzeigeeoptionen geblättert. Manche Optionen werden automatisch angezeigt, andere erfordern einen Tastendruck.

6.3 Angezeigte Informationen

- Solarstrom, Spannung und Ladezustand (falls angeschlossen)
- ESS/DVCC Begründungscodes (falls aktiv)
- Solare Tageserträge
- Wechselrichter/Ladegerät Ladezustand (z.B. Konstantstrom, ESS)
- Ladezustand der Batterie, Strom und Spannung
- Netzwerk-IP-Adresse und Verbindungstyp (falls verbunden).
- AC-Eingang und -Ausgang Leistung Wechselstrom-Eingang und -Ausgang Strom

In einem System mit mehr als einer Phase stehen zusätzliche Wechselstrom-Eingangs- und Ausgangsinformationen zur Verfügung, z.B.

- Phase 1 AC-Eingangsspannung und -leistung.
- Phase 1 AC-Ausgangsspannung und -leistung.
- Phase 2 AC-Eingangsspannung und -leistung.
- Phase 2 AC-Ausgangsspannung und -leistung.
- Phase 3 AC-Eingangsspannung und -leistung.
- Phase 3 AC-Ausgangsspannung und -leistung.

6.4 Fehlercode-Anzeige

Wenn ein Fehler im System vorliegt, wird der Fehlercode auf der Anzeige angegeben. Auf der Anzeige werden die VE.Bus-Fehlercodes und die MPPT-Fehlercodes (falls angeschlossen) angezeigt.

Grundlegende Informationen zu den VE.Bus-Fehlercodes finden Sie im Abschnitt Fehleranzeigen.

Weitere Informationen zu den Fehlercodes finden Sie unter:

[VE.Bus-Fehlercodes](#)

[MPPT-Fehlercodes](#)

Fehler werden angezeigt, bis sie behoben sind.

7. Anschluss des PV-Arrays

7.1 Dimensionierung des Arrays

Wir empfehlen die Verwendung des [MPPT Größenrechners](#), der auf unserer Website verfügbar ist.

- Der Solarladeregler funktioniert nur, wenn die PV-Spannung die Batteriespannung (Vbat) überschreitet.
- Die PV-Spannung muss mindestens die Höhe von Vbat + 5 V erreichen damit der Regler den Betrieb aufnimmt. Danach liegt der Mindestwert der PV-Spannung bei Vbat + 1 V.
- Die maximale Leerlaufspannung des PV-Arrays beträgt 250V.
- Der maximale Kurzschlussstrom des PV-Arrays beträgt 35A.

Zum Beispiel:

- Mindestanzahl der in Reihe geschalteten Zellen: 144 Zellen (4x 12 V Paneele oder 2x 24 V Paneele in Reihe).
- Maximum: 360 Zellen (10x 12V oder 5x 24 Paneele in Reihe).

Anmerkung: Bei niedrigen Temperaturen kann die Leerlaufspannung eines 360-Zellen-Arrays je nach örtlichen Bedingungen und Zellspezifikationen 250V überschreiten. In diesem Fall muss die Anzahl der Zellen in Reihe reduziert werden.

Die MPPT-Komponente des EasySolar-II GX ist auf 48V vorprogrammiert, um den Anforderungen des mitgelieferten Wechselrichters/Laders gerecht zu werden.

7.2 Verbindung

1. Schließen Sie die Batterie an.
2. Verbinden Sie die Solaranlage mit den M6-Solarschrauben. Hinweis: Wenn der Controller mit umgekehrter Polarität angeschlossen wird, erwärmt er sich, lädt aber die Batterie nicht auf.

Beachten Sie, dass die 100-A-Sicherung nicht vom Endverbraucher ausgetauscht werden kann. Beim Durchbrennen muss das Gerät zur Reparatur an eine Servicestelle zurückgeschickt werden. Es brennt erst dann durch, wenn andere Komponenten im Gerät ausgefallen sind.

8. Installation

Dieses Produkt enthält gefährliche Spannungen. Der Einbau darf nur unter der Aufsicht eines geeigneten qualifizierten Installateurs mit entsprechender Ausbildung und unter Beachtung der vor Ort geltenden Vorschriften erfolgen. Für weitere Informationen oder notwendige Schulungen wenden Sie sich bitte an Victron Energy.

8.1 Einbauort

Das Produkt muss in einem trockenen und gut belüfteten Bereich, so nah wie möglich an den Batterien installiert werden. Um das Produkt herum ist zum Kühlen ein Freiraum von mindestens 10 cm vorzusehen.

WARNHINWEIS: Übermäßig hohe Umgebungstemperatur führt zu:

- Verkürzter Lebensdauer.
- Geringerem Ladestrom.
- Reduzierter Spitzenkapazität oder Abschaltung des Gerätes. Das Gerät darf auf keinen Fall direkt über den Batterien eingebaut werden.

Dieses Produkt ist für die Wandmontage geeignet. Ein entsprechender Haken und zwei Löcher sind hierfür an der Rückwand vorhanden (siehe Anhang G). Das Gerät kann sowohl vertikal als auch horizontal befestigt werden. Vertikalmontage wird aus Kühlungsgründen bevorzugt.

WARNHINWEIS: Nach dem Einbau muss das Gerät innen zugänglich bleiben.

Um den Spannungsverlust über die Kabel möglichst gering zu halten, sollte der Abstand zwischen dem Gerät und der Batterie möglichst kurz sein.

Aus Sicherheitsgründen sollte das Gerät vor übermäßiger Hitze geschützt werden. Stellen Sie sicher, dass keine brennbaren Chemikalien, Plastikteile, Vorhänge oder andere Textilien in unmittelbarer Nähe sind.

8.2 Anschluss der Batteriekabel

Zur vollen Leistungs-Nutzung des Gerätes müssen Batterien ausreichender Kapazität sowie Batteriekabel mit entsprechendem Querschnitt eingebaut werden. Siehe Tabelle.

	48/3000/35
Empfohlene Batteriekapazität (Ah)	100-400
Empfohlene DC-Sicherung	125 A
Empfohlene Klemmenquerschnitte (mm ²) für + und - Anschluss	
0 – 5 m	35 mm ²
5 – 10 m	70 mm ²

Anmerkung: Innerer Widerstand ist der wesentliche Faktor bei der Nutzung von Batterien mit geringer Kapazität. Bitte wenden Sie sich an Ihren Lieferanten oder schlagen Sie die entsprechenden Abschnitte unseres Buches „Energy Unlimited“ nach, das Sie von unserer Website herunterladen können.

8.3 Vorgehensweise zum Anschluss der Batterie

Bezüglich der Kabelanschlüsse gehen Sie bitte wie folgt vor:

WARNHINWEIS: Verwenden Sie zur Vermeidung von Batteriekurzschlüssen einen Drehmomentschlüssel mit isoliertem Steckschlüssel.

Maximales Drehmoment: 14 Nm Vermeiden Sie ein Kurzschließen der Batteriekabel.

WARNHINWEIS: Beim Anschluss von Batterien ist besondere Sorgfalt und Aufmerksamkeit geboten. Die korrekte Polarität muss vor dem Anschluss mit einem Multimeter überprüft werden. Der Anschluss einer Batterie mit falscher Polarität zerstört das Gerät und ist nicht von der Garantie abgedeckt.

- Lösen Sie die beiden Schrauben an der Unterseite des Gehäuses und entfernen Sie das Bedienfeld.
- Schließen Sie die Batteriekabel an. Schließen Sie zuerst das - Kabel, dann das + Kabel an. Beachten Sie, dass es bei den Batterieanschlüssen zu Funkenbildung kommen kann.
- Ziehen Sie die Muttern mit den vorgeschriebenen Drehmomenten an, um den Kontaktwiderstand zu minimieren.

8.4 Anschluss der Wechselstromkabel

WARNUNG

Dies ist ein Produkt der Schutzklasse I (und wird aus Sicherheitsgründen mit einer Erdungsklemme geliefert). **Die AC-Eingangsbzw. Ausgangsklemmen bzw. der Erdungspunkt auf der Innenseite des Produkts müssen aus Sicherheitsgründen mit einem unterbrechungsfreien Erdungspunkt versehen sein**, siehe Anhang A.

Bei einer festen Installation kann eine unterbrechungsfreie Erdung über die Erdungsleitung des AC-Eingangs sichergestellt werden. Andernfalls muss das Gehäuse geerdet werden.

Dieses Produkt ist mit einem Erdungsrelais (Relais H, siehe Anhang B) ausgestattet, das den Neutralleiterausgang **automatisch mit dem Gehäuse verbindet, wenn keine externe AC-Versorgung gegeben ist**. Ist eine externe Wechselstromversorgung vorhanden, öffnet das Erdungsrelais H, bevor das Rückstromschutzrelais schließt. Das gewährleistet ein sicheres Arbeiten des in den Wechselstromausgangskreis zu schaltenden Fehlerstrom-(FI)-Schalters.

In einer ortsveränderlichen Installation (Netzanschluss über ein Landanschlusskabel) geht die Erdung verloren, wenn das Landanschlusskabel nicht eingesteckt ist. Hier muss das Gehäuse mit dem Fahrzeugchassis oder dem Bootsrumppf leitend verbunden werden. Im Falle eines Bootes wird der direkte Anschluss an eine Erdung an Land aufgrund potentieller galvanischer Korrosion nicht empfohlen. Mit einem Trenntransformator kann das vermieden werden. **Drehmoment: 2 Nm**

Die Anschlüsse befinden sich auf der Leiterplatte, Siehe Anhang A.

Vertauschen Sie beim Anschluss des Wechselstroms nicht den Nullleiter und die Phase.

Der Umrichter ist mit einem Netzfrequenz-Trenntransformator ausgestattet. Dadurch wird die Möglichkeit eines Gleichstroms an jedem AC-Anschluss ausgeschlossen. Daher können RCD's vom Typ A verwendet werden.

- **AC-in** Das AC-Eingangskabel kann an die Klemmenleiste "AC-in" angeschlossen werden. Von links nach rechts: "N" (neutral), "PE" (Erde) und "L" (Phase) **Der AC-Eingang muss durch eine Sicherung oder einen magnetischen Trennschalter mit einer Nennleistung von 32A oder weniger geschützt und der Kabelquerschnitt entsprechend dimensioniert sein**. Wenn die Eingangswechselstromversorgung kleiner bemessen ist, so muss die Sicherung bzw. der Schutzschalter auch entsprechend kleiner bemessen sein.
- **AC-out-1** Das AC-Ausgangskabel kann direkt an die Klemmenleiste "AC-out" angeschlossen werden. Von links nach rechts: "N" (neutral), "PE" (Erde) und "L" (Phase) Mit seiner PowerAssist-Funktion kann der Multi in Zeiten des Spitzenleistungsbedarfs bis zu 3 kVA (d.h. $3000 / 230 = 13 \text{ A}$) an die Leistung addieren. Zusammen mit einem maximalen Eingangsstrom von 32 A bedeutet dies, dass der Ausgang bis zu $32 + 13 = 45 \text{ A}$ liefern kann. Ein Fehlerstromschutzschalter und eine Sicherung oder ein Trennschalter zur Aufnahme der erwarteten Last müssen in Reihe mit dem Ausgang geschaltet und der Kabelquerschnitt entsprechend dimensioniert werden.
- **AC-out-2** Ein zweiter Ausgang ist verfügbar, der seine Last im Falle eines Batteriebetriebs abschaltet. An diese Klemmen werden Geräte angeschlossen, die nur dann funktionieren dürfen, wenn am AC-In-1 eine Wechselspannung anliegt, z.B. ein elektrischer Boiler oder eine Klimaanlage. Die Last am AC-Out-2 wird sofort abgeschaltet, wenn der Wechselrichter/Ladegerät in den Batterie-Modus wechselt. Wenn die Wechselspannung an AC-In-1 verfügbar wird, wird die Last an AC-Out-2 mit einer Verzögerung von ca. 2 Minuten wieder angeschlossen. Dies ermöglicht es einem Aggregat, sich zu stabilisieren.

8.5 Weitere Anschlussmöglichkeiten

Es gibt eine Anzahl weiterer Anschlussmöglichkeiten:

8.5.1 Fernbedienung

Die Fernbedienung des Gerätes ist auf zweifache Weise möglich:

- Mit einem externen Schalter (Anschlussklemme M, siehe Anhang A). Funktioniert nur, wenn der Schalter am Gerät auf "on" steht.

- Mit einem digitalen Multi-Bedienfeld (angeschlossen an eine der beiden RJ45-Buchsen L, siehe Anhang A). Funktioniert nur, wenn der Schalter am Gerät auf "on" steht.

Das Digital Multi Bedienfeld ist mit einem Drehknopf ausgestattet, der den maximalen Strom des Wechselstrom-Eingangs einstellt: siehe PowerControl und PowerAssist.

8.5.2 Programmierbares Relais

Das Gerät verfügt über ein programmierbares Relais.

Das Relais kann für zahlreiche andere Funktionen wie z. B. als Generator-Startrelais unprogrammiert werden.

8.5.3 Programmierbare analoge/digitale Eingangs-/Ausgangs-Ports

Das Gerät verfügt über 2 analoge/digitale Eingangs-/Ausgangs-Ports.

Diese Ports lassen sich für verschiedene Zwecke nutzen. Eine Anwendung ist die Kommunikation mit dem BMS einer Lithium-Ionen-Batterie.

8.5.4 Spannungsfühler (Anschlussklemme J, siehe Anhang A)

Zur Kompensation möglicher Kabelverluste während des Ladens können zwei entsprechende Messfühlerverbindungen zur Spannungsmessung direkt an den Batteriepolen angeschlossen werden. Verwenden Sie Draht mit einem Querschnitt von 0,75 mm².

Während des Ladevorgangs kompensiert der Wechselrichter/Ladegerät den Spannungsabfall über die Gleichstrom-Kabel bis zu einem Maximum von 1 V (d.h. 1 V über dem positiven Anschluss und 1V über dem negativen Anschluss). Falls der Spannungsabfall größer als 1V zu werden droht, wird der Ladestrom soweit zurückgenommen, dass ein Abfall von mehr als 1V vermieden wird.

8.5.5 Temperatursensor (Anschlussklemme H, Anhang A)

Für temperaturkompensiertes Aufladen kann der Temperaturmessgeber (im Lieferumfang des Wechselrichters/Ladegeräts enthalten) angeschlossen werden. Der Temperaturmesser ist isoliert und muss an den Minuspol der Batterie angeschlossen werden.

8.5.6 Parallel-Anschlüsse

Es ist erforderlich, identische Einheiten für dreiphasige und parallele Systeme zu verwenden. In diesem Fall, da nur ein GX-Gerät pro System erlaubt ist, müssen Sie, wenn Sie mit diesem Produkt parallel bzw. dreiphasig arbeiten möchten, das gleiche Modell MultiPlus-II zur Kopplung finden.

Um das Auffinden identischer Einheiten zu erleichtern, sollten Sie stattdessen MultiPlus-II für parallele und dreiphasige Systeme und ein externes GX-Gerät verwenden.

Bis zu sechs Geräte können parallel geschaltet werden. Wenn Sie dieses Produkt mit MultiPlus-II in einem parallelen System verbinden, müssen die folgenden Anforderungen erfüllt sein:

WARNUNG

- Es ist ausschlaggebend, dass der negative Batteriepol zwischen den Geräten stets angeschlossen ist. Eine Sicherung oder ein Trennschalter ist im negativen Abschnitt nicht zulässig.
- Alle Geräte müssen an die gleiche Batterie angeschlossen sein.
- Es können maximal 6 Geräte parallel betrieben werden.
- Die Geräte müssen identisch sein (abgesehen vom GX-Teil) und die gleiche Firmware verwenden.
- Die Gleichstrom-Anschlusskabel zu den Geräten müssen gleich lang und von gleichem Querschnitt sein.
- Falls ein positiver und ein negativer DC-Verteilungspunkt verwendet wird, muss der Querschnitt der Verbindung zwischen den Batterien und dem DC-Verteilungspunkt mindestens gleich der Summe der erforderlichen Querschnitte der Verbindungen zwischen dem Verteilungspunkt und den Geräten sein.
- Verbinden Sie stets zuerst die negativen Batteriekabel, bevor Sie die UTP-Kabel verlegen.
- Die Einheiten sollten nahe beieinander aber mit ca. 10 cm Lüftungsabstand unten, oben und seitlich angeordnet werden.
- UTP Kabel müssen zwischen den Einheiten (und u.U. dem Fernbedienungspaneel) direkt angeschlossen werden. Verbindungs- oder Splitter-Dosen sind nicht zulässig.
- Es darf nur eine Fernbedienung (Paneel oder Schalter) im **System** vorhanden sein. Das bedeutet: nur ein GX.

8.5.7 Dreiphasenbetrieb

Das Produkt kann auch in einer 3-phasigen Y-Konfiguration verwendet werden. Hierzu werden die Einheiten mit Standard RJ45 UTP Kabeln verbunden (wie im Parallelbetrieb). Das **System** muss nachträglich konfiguriert werden. Voraussetzungen: siehe Abschnitt Spannungsmesser

1. Hinweis: Das Produkt ist nicht für die 3-phasige Delta-Konfiguration (Δ) geeignet.
2. Wenn der Netzcode AS4777.2 in VEConfigure ausgewählt wurde, sind in einem dreiphasigen System nur 2 parallele Einheiten pro Phase zulässig.

Ausführliche Informationen zur parallelen und dreiphasigen Konfiguration erhalten Sie immer zuerst bei Ihrem Victron-Vertriebspartner und bitte beachten Sie dieses spezifische Handbuch:

https://www.victronenergy.com/live/ve.bus:manual_parallel_and_three_phase_systems

8.5.8 Verbindung zum VRM-Portal

Die Verbindung des Produkts mit dem VRM erfordert eine Internetverbindung. Dies kann über WLAN oder vorzugsweise über ein fest verdrahtetes Ethernet-Kabel zu einem ans Internet angeschlossenen Router erfolgen.

Die VRM-Standortnummer befindet sich auf einem Aufkleber im Bereich der Kabelverbindungen des Gerätes.

Weitere Informationen zum Einrichten von VRM finden Sie im [VRM Erste Schritte Handbuch](#)

9. Konfiguration

Dieser Abschnitt ist hauptsächlich für eigenständige Anwendungen gedacht.

Für netzgebundene Energiespeichersysteme (ESS) siehe <https://www.victronenergy.com/live/ess:start>

- Die Einstellungen dürfen nur von einem geeigneten qualifizierten Installateur mit entsprechender Ausbildung und unter Beachtung der vor Ort geltenden Vorschriften erfolgen. Für weitere Informationen oder notwendige Schulungen wenden Sie sich bitte an Victron.
- Lesen Sie vor Einstellungsänderungen sorgfältig die Anweisungen.
- Während der Einstellarbeiten am Ladegerät muss der Wechselstromeingang unterbrochen sein.

9.1 Standardeinstellung: betriebsbereit

Bei der Lieferung wird das Produkt auf die werkseitigen Standardwerte eingestellt. Im Allgemeinen sind diese Einstellungen für den Einzelgerätebetrieb geeignet.

WARNUNG

Möglicherweise stimmt die Standard-Ladespannung nicht mit der Ihrer Batterien überein! Lesen Sie deshalb sorgfältig die Batteriedokumentation und fragen Sie diesbezüglich Ihren Lieferanten.

Standard-Werkseinstellungen

Einstellung	Wert
Wechselrichter-Frequenz	50 Hz
Eingangsfrequenzbereich	45 – 65 Hz
Eingangsspannungsbereich	180 – 265 VAC
Wechselrichter-Spannung	230 VAC
Einzel / Parallel / 3-Phasen	Einzel
AES (Automatic Economy Switch)	aus
Erdungsrelais	ein
Ladegerät ein/aus	ein
Batterieladepkurve	vierstufig adaptiv mit BatterySafe Modus
Ladestrom	100% des maximalen Ladestroms
Batterietyp	Victron Gel Tiefentladung (auch geeignet für Victron AGM Tiefentladung)
Automatische Ausgleichladung	aus
Absorptionsspannung	57,6V
Absorptionszeit	bis 8 Std (abhängig von der Konstantstromzeit)
Float voltage (Erhaltungsspannung)	55,2V
Lagerungs-Spannung	52,8V (nicht einstellbar)
Wiederholte Absorptionszeit	1 Std
Wiederholungsintervall der Absorption	7 Tage
Konstantstrom-Sicherung	ein
Begrenzung des Stroms am Wechselstromeingang	32A (= einstellbare Strombegrenzung für PowerControl und PowerAssist-Funktionen)
UPS Funktion	ein
Dynamische Strombegrenzung	aus
Schwache Wechselstromquelle: "WeakAC"	aus
BoostFactor	2
Programmierbares Relais	Alarmeinrichtung
PowerAssist	ein

9.2 Erläuterungen zu den Einstellungen

Nicht selbsterklärende Einstellungen werden nachstehend kurz erklärt. Weitere Informationen finden Sie in den Konfigurationsprogrammen.

Wechselrichter-Frequenz

Ausgangsfrequenz, wenn kein Wechselstrom am Eingang anliegt.

Einstellbar: 50 Hz; 60 Hz

Eingangsfrequenzbereich

Eingangsfrequenzbereich akzeptiert. Das Produkt synchronisiert sich in diesem Bereich mit der AC-Eingangsfrequenz. Die Ausgangsfrequenz entspricht dann der Eingangsfrequenz.

Einstellbar: 45 – 65 Hz; 45 – 55 Hz; 55 – 65 Hz.

Eingangsspannungsbereich

Spannungsbereich akzeptiert. Das Produkt synchronisiert sich in diesem Bereich mit dem AC-Eingang. Die Ausgangsspannung entspricht dann der Eingangsspannung.

Einstellbar:

Untergrenze: 180 – 230V

Obergrenze: 230 – 270V

Hinweis: Die standardmäßige Untergrenze von 180V ist für den Anschluss an eine schwache Netzversorgung oder an einen Generator mit instabiler AC-Leistung vorgesehen. Diese Einstellung kann zu einer Systemabschaltung führen, wenn ein „bürstenloser, eigenerregter, Wechselstromsynchrongenerator mit externer Spannungsregelung“ (synchroner AVR-Generator) angeschlossen wird. Die meisten Generatoren, die mit 10 kVA oder mehr bemessen sind, sind synchrone AVR-Generatoren. Das Abschalten wird eingeleitet, wenn der Generator angehalten und die Drehzahl herabgesetzt wird während die automatische Spannungsregelung (AVR) gleichzeitig versucht, die Ausgangsspannung des Generators auf 230 V zu halten.

Die Lösung besteht darin, die untere Grenzwerteinstellung auf 210VAC zu erhöhen (die Leistung der AVR-Generatoren ist im Allgemeinen sehr stabil) oder das Produkt vom Generator zu trennen, wenn ein Generatorstoppsignal gegeben ist (mit Hilfe eines in Reihe mit dem Generator installierten Wechselstromschützes).

Wechselrichter-Spannung

Ausgangsspannung im Batteriebetrieb.

Einstellbar: 210 – 245V

Einzelbetrieb / Parallelbetrieb / 2 oder 3-Phasenbetrieb

Mit mehreren Einzelgeräten kann:

- die Gesamtwechselrichter-Leistung erhöht werden (mehrere Gräte in Parallelschaltung)
- Erstellen eines Split-Phasen-Systems mit einem separaten Autotransformator: siehe Datenblatt VE Autotransformator und Handbuch.
- Erstellen eines 3-Phasen-Systems.

Die Standardprodukteinstellungen beziehen sich auf ein Einzel-Gerät im Standalone-Betrieb.

AES (Automatic Economy Switch)

Bei Nutzung dieser Einstellung (AES „ein“) ist der Stromverbrauch bei Nulllast und geringer Belastung um ca. 20 % niedriger. Dies wird durch eine leichte „Abflachung“ der Sinusspannung erreicht. Diese Einstellung ist nur im Einzelgerät-Betrieb möglich.

Such-Modus

Anstelle des AES-Modus kann auch der **Suchmodus** gewählt werden. Steht der Such-Modus auf '„ein“', reduziert sich der Stromverbrauch bei Nulllastbetrieb um etwa 70 %. In diesem Modus wird das Produkt im Wechselrichterbetrieb bei Leerlauf oder sehr geringer Last abgeschaltet und schaltet sich alle zwei Sekunden für kurze Zeit ein. Überschreitet der Ausgangsstrom einen eingestellten Grenzwert, nimmt der Wechselrichter den Betrieb wieder auf. Ist dies nicht der Fall, schaltet sich der Wechselrichter wieder ab.

Die Last-Schwellwerte für „shut down“ (abschalten) und „remain on“ (eingeschaltet bleiben) lassen sich für den Such-Modus mit VEConfigure einstellen.

Die Voreinstellungen sind:

Maßnahme	Schwelle
Herunterfahren	40 Watt (lineare Last)
Einschalten	100 Watt (lineare Last)

Erdungsrelais (siehe Anhang B)

Mit Relais wird der Nulleiter des Wechselstromausgangs am Fahrwerk geerdet, wenn die Rückleitungs-Sicherheitsrelais geöffnet sind. Hierdurch wird die korrekte Funktion der Erdschlusssicherungen am Ausgang gewährleistet. Sofern erforderlich kann ein externes Erdungsrelais angeschlossen werden (bei Spaltphasensystemen mit einem separaten Spartransformator). Siehe Anhang A.

Batterieladealgorithmus

Die Standardeinstellung ist die „4-stufige adaptive Ladung im BatterySafe-Modus“.

Dies ist der für Blei-Säure-Batterien empfohlene Ladealgorithmus. Siehe Hilfe-Dateien der Konfigurationssoftware für andere Funktionen.

Batterietyp

Die Standardeinstellungen sind bestens geeignet für die Victron Gel Deep Discharge, Gel Exide A200 und stationären Röhrenplatten-Batterien (OPzS). Diese Einstellungen können auch für viele andere Batterien wie z.B. die Victron AGM Deep Discharge und zahlreiche Flüssigelektrolyt-Plattenbatterien verwendet werden.

Mit VEConfigure lässt sich der Ladealgorithmus an jeden Batterietyp anpassen (Nickel-Kadmium-Batterien, Lithium-Ionen-Batterien).

Absorptionszeit

Für die Grundeinstellung "4-stufige adaptive Ladung mit BatterySafe-Modus" hängt die Konstantspannungsdauer von der Konstantstromdauer ab (adaptive Ladekurve), damit die Batterie optimal geladen wird.

9.2.1 Ausgleichsladung

Traktions-Batterien müssen regelmäßig nachgeladen werden. Im Ausgleichsmodus lädt das Produkt eine Stunde lang mit erhöhter Spannung (4V für eine 48V-Batterie). Der Ladestrom ist dann auf 1/4 des eingestellten Wertes begrenzt.

Während einer Ausgleichsladung wird eine höhere Ladespannung abgegeben als die meisten Gleichstromverbraucher vertragen können. Sie müssen daher erst abgeschaltet werden, bevor mit der Ausgleichsladung begonnen wird.

Automatische Ausgleichsladung

Diese Option ist für Flüssigelektrolyt-Röhrenplatten-Traktions-Batterien oder OPzS-Batterien ausgelegt. Während der Konstantspannungsphase erhöht sich die Spannungsbegrenzung auf 2,83 V/Zelle (68V bei einer 48V Batterie), nachdem sich der Ladestrom auf weniger als 10 % des eingestellten Maximalwertes verringert hat.

Siehe auch „Röhrenplatten-Traktions-Batterie-Ladekurve“ bei VEConfigure.

Speicherspannung, Wiederholungsabsorptionszeit, Absorption Wiederholungsintervall

Siehe Anhang E.

Konstantstrom-Sicherung

Bei dieser Einstellung (Schalterstellung 'ein') wird die Konstantstromdauer auf max. 10 Stunden begrenzt. Eine längere Ladezeit kann auf einen Systemfehler hinweisen (z. B. Kurzschluss der Batteriezelle).

Begrenzung des Stroms am Wechselstromeingang

Hier handelt es sich um die Strombegrenzungseinstellungen für die PowerControl und PowerAssist in Betrieb genommen werden.

PowerAssist Einstellungsbereich: von 5,3A bis 32A.

Fabrikeinstellung: der Maximalwert (32A).

UPS Funktion

Wenn diese Einstellung auf "Ein" steht und der Wechselstrom am Eingang ausfällt, schaltet das Produkt praktisch ohne Unterbrechung auf Wechselrichterbetrieb um.

Die Ausgangsspannung einiger kleiner Generatoren ist für diese Einstellung zu instabil und verzerrt - das Produkt würde ständig auf Wechselrichterbetrieb umschalten. Deshalb kann diese Funktionalität ausgeschaltet werden. Das Produkt reagiert dann weniger schnell auf Abweichungen der Eingangsspannung. Die Umschaltzeit auf Wechselrichterbetrieb verlängert sich demnach etwas. Dies hat jedoch auf die meisten Apparate (die meisten Computer, Uhren oder Haushaltsgeräte) keine nachteiligen Auswirkungen.

Empfehlung: Schalten Sie die UPS-Funktion aus, wenn das Produkt nicht synchronisiert werden kann, oder schalten Sie kontinuierlich in den Wechselrichterbetrieb zurück.

Dynamische Strombegrenzung

Ausgelegt für Generatoren, wobei die Wechselstromspannung durch einen statischen Wechselrichter erzeugt wird (so genannte „Wechselrichter-Generatoren“). Bei dieser Art von Generator wird die Drehzahl des Motors verringert, wenn die Last gering ist: Dadurch werden Geräuschpegel, Treibstoffverbrauch und Verschmutzungsgrad verringert. Nachteilig ist dabei jedoch, dass bei plötzlichem Lastanstieg die Ausgangsspannung stark absinkt oder der Generator ganz ausfällt. Zusätzliche Leistung kann erst bei Erreichen der höheren Drehzahl bereitgestellt werden.

Wenn diese Einstellung auf "Ein" steht, beginnt die Vorrichtung, zusätzliche Leistung bei einem niedrigen Generatorausgangspegel zu liefern und ermöglicht es dem Generator allmählich, mehr zu liefern, bis die eingestellte Stromgrenze erreicht ist. So kann der Generator problemlos die erforderliche Drehzahl erreichen.

Auch bei „klassischen“ Generatoren wird dieses Verfahren genutzt, um plötzliche Lastschwankungen besser abfangen zu können.

WeakAC

Starke Verzerrungen der Eingangsspannung können zu Störungen oder sogar zum Ausfall des Ladegerätes führen. Mit der Einstellung „WeakAC“ akzeptiert das Ladegerät auch stärker verzerrte Spannung auf Kosten einer größeren Stromverzerrung.

Empfehlung: Schalten Sie die Funktion WeakAC ein, wenn das Ladegerät kaum oder gar nicht lädt (was sehr selten vorkommt). Schalten Sie außerdem gleichzeitig die dynamische Strombegrenzung ein und verringern Sie ggf. den maximalen Ladestrom, um eine Überlastung des Generators zu vermeiden.

Hinweis: Ist die Einstellung „WeakAC“ eingeschaltet, wird der maximale Ladestrom um ca. 20% verringert.

BoostFactor Dieser Wert passt das PowerAssist-Verhalten an. Wenn Sie Probleme mit PowerAssist haben (z. B. Überlastung), wenden Sie sich bitte an einen von Victron Energy geschulten Spezialisten, bevor Sie versuchen, Änderungen vorzunehmen.

Programmierbares Relais

Das Gerät ist mit mehreren programmierbaren Relais ausgestattet. Diese Relais können für zahlreiche andere Funktionen wie z. B. als Generator-Startrelais umprogrammiert werden.

AC-Hilfsausgang (AC-out-2)

Für unbedenkliche Lasten ausgelegt und direkt an den AC-Eingang angeschlossen. Mit Strom-Messung für die Funktion PowerAssist.

9.3 Wechselrichter/Ladegerät

Weitere Informationen zur Konfiguration der Wechselrichter-/Ladekomponente des EasySolar-II GX finden Sie in den [MultiPlus-II-Handbüchern](#)

Die volle Programmierfunktionalität des Wechselrichters / Ladegeräts erfordert den Einsatz eines Laptops mit [VEConfigure](#). Eingeschränkte Konfiguration ist mit [VictronConnect](#) möglich

9.4 SmartSolar MPPT 250/70 Laderegler

Das Solarladegerät wird über VictronConnect konfiguriert. Die einfachste Methode, sich mit dem Solarladegerät zu verbinden, ist über Bluetooth. Dies funktioniert für Android, iOS und macOS. Es funktioniert nicht für Windows.

Wenn Sie Windows verwenden möchten, trennen Sie das VE.Direct-Kabel vom Solarladegerät und verwenden Sie ein [VE.Direct USB-Schnittstellenkabel](#) für Ihren Windows-Laptop. Schließen Sie nach Fertigstellung das VE.Direct-Kabel wieder an, das zwischen dem internen GX-Gerät und dem Solarladegerät verläuft.

Die vollständige Dokumentation für das im EasySolar-II GX enthaltene MPPT finden Sie in diesen Dokumenten:

- [SmartSolar MPPT 250/70 Dokumentation](#)
- [VictronConnect MPPT Solar-Ladegeräte](#)
- [VictronConnect Handbuch](#)

10. Wartung

Das Produkt bedarf keiner besonderen Wartung. Es reicht aus, wenn die Anschlüsse einmal jährlich kontrolliert werden. Vermeiden Sie Feuchtigkeit und Öl/Ruß/Dämpfe und halten Sie das Gerät sauber.

11. Fehleranzeigen

Mit den folgenden Verfahren können die meisten Fehler schnell identifiziert werden. Falls Sie einen Fehler nicht beheben können, wenden Sie sich bitte an Ihren Victron Energy Händler.

11.1 Allgemeine Fehleranzeigen

Problem	Grund	Lösung
Keine Ausgangsspannung an AC-out-2.	EasySolar-II GX im Wechselrichtermodus	
Das Gerät schaltet nicht auf Generator- oder Netzbetrieb um.	Der Leistungsschalter oder die Sicherung im AC-Eingang ist aufgrund einer Überlastung geöffnet.	Beheben Sie die Überlastung oder den Kurzschluss an AC-out-1 oder AC-out-2 und aktivieren Sie die Sicherung/den Schutzschalter wieder.
Der Wechselrichter arbeitet nach dem Einschalten nicht.	Die Batteriespannung ist deutlich zu hoch oder zu niedrig. Am Gleichstromanschluss liegt keine Spannung an.	Stellen Sie sicher, dass die korrekte Batteriespannung anliegt.
'Schwache Batterie'	Die Batterie-Spannung ist niedrig.	Laden Sie die Batterie und prüfen Sie die Anschlüsse.
'Schwache Batterie' (Herunterfahren)	Das Gerät schaltet wegen zu niedriger Batteriespannung ab.	Laden Sie die Batterie und prüfen Sie die Anschlüsse.
'Überlastung'	Die anliegende Last ist größer als die Nennleistung.	Lastreduzierung
'Überlastung' (Herunterfahren)	Das Gerät schaltet wegen erheblicher Überlastung ab.	Lastreduzierung
'Übertemperatur'	Die Umgebungstemperatur ist hoch, oder die Belastung ist zu hoch.	Installieren Sie den Wechselrichter in einer kühlen und gut belüfteten Umgebung oder reduzieren Sie die Last.
'Schwache Bat V Überlastung' (Herunterfahren)	Niedrige Batteriespannung und zu hohe Belastung	Aufladen der Batterie; Abklemmen oder Reduktion der Belastung. Einbau größerer Batterien. Kürzere oder dickere Kabel.
'DC-Brummspannung hoch'	Brummspannung am DC-Anschluss übersteigt 1,5 Vrms.	Überprüfen Sie Batteriekabel und Anschlüsse. Überprüfen Sie die Batteriekapazität und erhöhen Sie diese u.U.
'DC-Brummspannung Herunterfahren'	Durch eine zu hohe Brummspannung am Eingang wird der Wechselrichter abgeschaltet.	Vergrößern Sie die Batteriekapazität. Verwenden Sie dickere bez. kürzere Kabel. Führen Sie durch Aus/Ein-Schalten einen Reset des Wechselrichters durch.
Das Ladegerät arbeitet nicht.	Netzspannung und/oder Netzfrequenz liegen außerhalb der Sollwerte.	Stellen Sie sicher, dass der AC-Eingang zwischen 185VAC und 265VAC liegt und dass die Frequenz innerhalb des eingestellten Bereichs liegt (Standardeinstellung 45-65 Hz).
	Der Leistungsschalter oder die Sicherung im AC-Eingang ist aufgrund einer Überlastung geöffnet.	Beheben Sie die Überlastung oder den Kurzschluss an AC-out-1 oder AC-out-2 und aktivieren Sie die Sicherung/den Schutzschalter wieder.
	Die Batterie-Sicherung ist kaputt.	Tauschen Sie die Batterie-Sicherung aus.
	Die Verformung der Eingangsspannung ist zu groß (Generator Einspeisung).	Wählen Sie die Einstellungen "WeakAC" und schalten Sie die Dynamische Strombegrenzung ein.
Das Ladegerät arbeitet nicht. Konstantstrom-Schutz gezeigt	EasySolar-II GX befindet sich im Modus Konstantstromschutz; die maximale Konstantstromladezeit von 10 Std. wurde überschritten. Eine solch lange Ladezeit kann auf einen Systemfehler hindeuten (z. B. Kurzschluss der Batteriezele).	Batterien überprüfen. HINWEIS: Sie können den Fehlermodus zurücksetzen, indem Sie das EasySolar-II GX aus- und wieder einschalten. Die werkseitige Standardeinstellung des EasySolar-II GX ist Konstantstromschutz eingeschaltet. Der Konstantstrom-Schutz-Modus lässt sich nur mithilfe von VEConfigure ausschalten.
Die Batterieladung bleibt unvollständig.	Der Ladestrom ist zu hoch, so dass die Konstantspannungsphase zu früh erreicht wird.	Stellen Sie den Ladestrom auf Werte zwischen dem 0,1- und 0,2-fachen der Batteriekapazität.
	Die Batterieanschlüsse sind nicht in Ordnung.	Überprüfen Sie die Batterieanschlüsse.
	Der Konstantspannungswert ist nicht korrekt (zu niedrig) eingestellt.	Stellen Sie die Konstantspannung auf einen korrekten Wert ein.
	Der Erhaltungsspannungswert ist nicht korrekt (zu niedrig) eingestellt.	Stellen Sie die Erhaltungsspannung auf einen korrekten Wert ein.
	Die verfügbare Ladezeit reicht für eine Vollladung nicht aus.	Erhöhen Sie die Zeitspanne und den Ladestrom.

	Die Konstantspannungszeit ist zu kurz. Bei 'angepasstem' Laden kann ein bezüglich der Batteriekapazität zu hoher Ladestrom der Grund sein. Damit wird dann auch die Konstantstromphase zu kurz.	Reduzieren Sie den Ladestrom oder wählen Sie die "festen" Ladecharakteristiken.
Die Batterie wird überladen.	Die Spannung der Konstantspannungsphase ist falsch eingestellt (zu hoch).	Stellen Sie die Konstantspannung auf einen korrekten Wert ein.
	Die Erhaltungsspannung ist falsch (zu hoch) eingestellt.	Stellen Sie die Erhaltungsspannung auf einen korrekten Wert ein.
	Die Batterie ist defekt.	Wechseln Sie die Batterie aus.
	Die Batterie wird zu warm (wegen schlechter Lüftung, zu hoher Umgebungstemperatur oder zu hohem Ladestrom).	Verbessern Sie die Belüftung, installieren Sie die Batterien in einer kühleren Umgebung, reduzieren Sie den Ladestrom und schließen Sie den Temperatursensor an.
Der Ladestrom sinkt auf 0, sobald die Absorptionsphase beginnt.	Defekter Batterietemperatursensor	Trennen Sie den Stecker des Temperatursensors am EasySolar-II GX. Wenn das Laden nach ca. 1 Minute korrekt funktioniert, sollte der Temperatursensor ausgetauscht werden.
	Die Batterie ist überhitzt (+50°C).	Installieren Sie die Batterie in einer kühleren Umgebung
		Reduzieren Sie den Ladestrom.
		Überprüfen Sie die Batterie auf inneren Kurzschluss.

11.2 VE.Bus-Fehlercodes

In einem VE.Bus System können verschiedene Fehlermeldungen angezeigt werden. Diese Codes werden auf der vorderen GX-Anzeige angegeben.

Um einen VE.Bus-Fehlercode korrekt zu interpretieren, ist die Dokumentation zu den VE.Bus-Fehlercodes zu beachten.

Siehe: https://www.victronenergy.com/live/ve.bus:ve.bus_error_codes.

Code	Bedeutung:	Ursache / Lösung:
1	Das Gerät ist ausgeschaltet, weil eine der anderen Phasen im System ausgeschaltet ist.	Kontrollieren Sie die fehlerhafte Phase.
3	Nicht alle oder mehr als die erwarteten Geräte wurden im System gefunden.	Das System ist schlecht konfiguriert; Führen Sie eine Neukonfiguration durch. Neukonfiguration des Systems. Wenn der Fehler weiterhin besteht, sind die Kommunikationskabel möglicherweise fehlerhaft oder nicht richtig angeschlossen. Kontrollieren Sie die Verkabelung und schalten Sie das System aus und wieder an.
4	Es wurde kein Einzelgerät gefunden.	Überprüfen Sie die Kommunikationsverkabelung.
5	Überspannung am Wechselstrom-Ausgang.	Kontrollieren Sie die Wechselstrom-Verkabelung.
10	Es besteht ein Zeitsynchronisationsproblem.	Bei korrekter Installation darf das nicht vorkommen. Überprüfen Sie die Kommunikationsverkabelung.
14	Das Gerät kann keine Daten übermitteln.	Überprüfen Sie die Kommunikationsleitung. (Möglicherweise liegt ein Kurzschluss vor.)
17	Eines der Geräte hat den Status "Master"-Status angenommen, weil der ursprüngliche Master ausgefallen ist.	Überprüfen Sie das ausgefallene Gerät. Überprüfen Sie die Kommunikationsverkabelung.
18	Es ist eine Überspannung vorhanden.	Überprüfen Sie die Wechselstromverkabelung.
22	Dieses Gerät kann nicht als "Slave" fungieren.	Bei dem Gerät handelt es sich um ein älteres und unpassendes Modell. Tauschen Sie das Gerät aus.
24	Die System-Sicherheits-Umschaltung ist aktiviert.	Bei korrekter Installation darf das nicht vorkommen. Schalten Sie alle Geräte aus und dann wieder an. Falls das Problem weiterhin besteht, ist die Gesamtinstallation gründlich zu überprüfen. Mögliche Lösung: Untere Grenze der AC-Eingangsspannung auf 210 VAC erhöhen (Werkseinstellung ist 180 VAC)
25	Firmware Inkompatibilität. Ein angeschlossenes Gerät hat veraltete Firmware, die ein Zusammenwirken mit diesem Gerät nicht ermöglicht.	1) Schalten Sie alle Geräte aus. 2) Schalten Sie das Gerät, das die Fehlermeldung gab, wieder an. 3) Schalten Sie dann nacheinander die anderen Geräte ein, bis die Fehlermeldung erneut auftritt. 4) Sorgen Sie für ein Update der Firmware in dem Gerät, das zuletzt eingeschaltet wurde.
26	Interner Fehler	Dieser Fehler tritt normalerweise nicht auf. Schalten Sie alle Geräte aus und dann wieder an. Falls das Problem weiterhin besteht, nehmen Sie Kontakt mit Victron Energy auf.

12. Technische Daten

EasySolar-II GX	WECHSELRICHTER/LADEGERÄT	
PowerControl & PowerAssist	ja	
Transferschalter	32A	
Maximaler AC-Eingangstrom	32A	
Zusatzausgang	32A	
WECHSELRICHTER		
Eingangsspannungsbereich	38 – 66V	
Ausgang	Ausgangsspannung: 230 VAC ± 2 % Frequenz: 50 Hz ± 0,1 % (1)	
Kont. Ausgangsleistung bei 25°C (3)	3000 W / 2400 W	
Kont. Ausgangsleistung bei 40°C / 65°C	2200 W / 1700 W	
Maximale offenkundige Einspeiseleistung	2500 VA	
Spitzenleistung	5500 W	
Max. Wirkungsgrad	95%	
Null-Last-Leistung	11W	
Null-Last Leistung im AES-Modus	7 W	
Null-Last Leistung im Such-Modus	2 W	
LADEGERÄT		
Wechselstrom-Eingang	Eingangsspannungsbereich: 187-265 VAC Eingangsfrequenz: 45 – 65 Hz	
Ladespannung „Absorption“	57,6 V	
Ladespannung (Erhaltungsspannung)	55,2V	
Lagermodus	52,8V	
Maximaler Batterieladestrom (4)	35A	
Batterie-Temperatursensor	Ja	
Programmierbares Relais (5)	Ja	
Schutz (2)	a - g	
VE.Bus-Schnittstelle	Bei Parallelschaltungen und Drei-Phasen-Betrieb, Fernüberwachung und Systemintegration	
COM-Port für allgemeine Nutzung	Ja, 2x	
SMARTSOLAR MPPT 250/70-Tr		
Modell	SMARTSOLAR MPPT 250/70-Tr	
Maximaler Ausgangsstrom	70A	
Maximale PV-Leistung	4000 W	
Maximale PV-Leerspannung	250V	
Max. Wirkungsgrad	98%	
Eigenverbrauch	20mA	
Ladespannung „Absorption“, Standard	57,6 V	
„Erhaltungs“-Ladespannung,	55,2V	
Schutz (2)	a - e	
ALLGEMEINES		
Schnittstellen	BMS-Can-Anschluss (VE.Can nicht unterstützt), USB, Ethernet, VE.Direct, WLAN	
Fern-Ein/Aus	Ja	
Betriebstemperaturbereich	-40 bis +65°C (lüfterunterstützte Kühlung)	
Feuchte (nicht kondensierend)	max. 95 %	
GEHÄUSE		
Material & Farbe	Stahl, blau RAL 5012	
Schutzklasse	IP21	
Batterieanschluss	M8 Bolzen	
PV-Anschluss	M6 Bolzen	
230 V Wechselstromanschluss	Schraubklemmen 13 mm ² (6 AWG)	
Gewicht	26kg	
Abmessungen (HxBxT)	506 x 275 x 147 mm	
NORMEN		
Sicherheit	EN-IEC 60335-1, EN-IEC 60335-2-29	
Emissionen / Immunität	EN 55014-1, EN 55014-2 EN-IEC 61000-3-2, EN-IEC 61000-3-3 IEC 61000-6-1, IEC 61000-6-2, IEC 61000-6-3	
Inselbildungsverhinderung	Bitte beachten Sie hierzu unsere Website:	
1) Lässt sich an 60 Hz anpassen. 2) Schutzschlüssel: a) Ausgangskurzschluss b) Überlast c) Batteriespannung zu hoch d) Batteriespannung zu niedrig e) Temperatur zu hoch f) 230 VAC am Wechselrichteranschluss g) Zu hohe Brummspannung am Eingang	3) Nichtlineare Last, Spitzenfaktor 3:1 4) Bei 25°C Umgebungstemperatur 5) Programmierbares Relais für Sammelalarm, Gleichstrom unter Spannung und Start/Stopp-Funktion des Generators. Wechselstrom-Nennleistung: 230 V / 4 A, DC-Nennleistung: 4 A bis zu 35 VDC und 1 A bis zu 60 VDC	

DE

NL

FR

DE

ES

SE

IT

Anhang

12. TECHNISCHE DATEN - GX-Gerät

GX-Gerät	BENUTZEROBERFLÄCHE
Display	2x16-stellige Anzeige
Remote-Konsole	ja
Akustischer Alarm	ja
Victron-Kommunikationsanschlüsse	
VE.Direkte Anschlüsse (immer isoliert)	1
Dedizierter BMS-Can-Port (VE.Can nicht unterstützt)	2 parallel geschaltete RJ45 Buchsen – isoliert
VE.Bus	2 parallel geschaltete RJ45 Buchsen – isoliert
Nicht Victron-Produkte	
Canbus-BMS-Batterien	Viele Batteriemarken. Siehe hier für Details
Fronius PV-Wechselrichter	Siehe hier für Details
SMA PV-Wechselrichter	Siehe hier für Details
ABB PV-Wechselrichter	Siehe hier für Details
SolarEdge PV-Wechselrichter	Siehe hier für Details
KOMMUNIKATION	
USB	1 USB-Host-Anschluss - nicht isoliert
Ethernet	10/100 RJ45-Buchse
WLAN	eingebaut
Bluetooth Smart	nein
Micro SD-Kartensteckplatz	nein
Zweiter CAN-Bus-Anschluss	nein
VE.Can-Port	nein
Eingebauter RS485	nein
IO	
Programmierbares Relais ⁽⁷⁾	N/v
Resistive Tankpegeleingänge	nein
Temperatursensoreingänge	nein
Digitale Eingänge	nein
LEISTUNG	
CPU	Quad-Core
RAM	512 MB
Max. VE.Direct Geräte ⁽¹⁾	25
CPU	Quad-Core
SONSTIGE	
Versorgungsspannung	intern versorgt, keine externe Versorgung
Montage	Eingebaut
Betriebstemperatur	-20 bis +50°C
Batteriegepufferte Uhr	ja

1. Introducción

El EasySolar-II GX de Victron integra los siguientes elementos:

1. Un potente inversor/cargador MultiPlus-II
2. Un controlador de carga solar SmartSolar MPPT
3. Un dispositivo GX con una pantalla de 2 x 16 caracteres.

Estos elementos vienen precableados y preconfigurados dentro de una sola unidad. Esto simplifica considerablemente la mayoría de las instalaciones, ahorrando tiempo y dinero.

Este documento explica cómo encajan entre sí todos los componentes, cómo instalar el producto y qué documentación usar para su configuración y demás detalles de cada una de sus partes.

Este documento explica:

1. Características
2. Comportamiento
3. Especificaciones
4. Limitaciones
5. Instrucciones de instalación
6. Pasos para la resolución de problemas

Deberá leerlo para comprender cómo utilizar su producto de forma segura y fiable.

Este manual se aplica a:

1. EasySolar-II GX 48/3000/35-32

2. Documentación más reciente

Podrá acceder rápidamente a la versión más reciente de este manual en Internet visitando el enlace siguiente:

<https://docs.victronenergy.com/easysolar-ii-gx.html>

3. Instrucciones de seguridad

Lea en primer lugar la documentación que acompaña al producto para familiarizarse con las indicaciones de seguridad y las instrucciones antes de utilizarlo. Este producto se ha diseñado y comprobado de acuerdo con los estándares internacionales. El producto debe utilizarse exclusivamente para la aplicación prevista.

ADVERTENCIA: PELIGRO DE DESCARGA ELÉCTRICA

El producto se usa junto con una fuente de alimentación permanente (batería). Aunque el producto esté apagado, puede producirse una tensión eléctrica peligrosa en los terminales de entrada y salida. Apague siempre la alimentación CA y desconecte la batería antes de realizar tareas de mantenimiento.

El producto no contiene piezas en su interior que puedan ser manipuladas por el usuario. No retire el panel frontal ni ponga el producto en funcionamiento si no están colocados todos los paneles. Las operaciones de mantenimiento deben ser realizadas por personal cualificado.

No utilice nunca el equipo en lugares donde puedan producirse explosiones de gas o polvo. Consulte las especificaciones suministradas por el fabricante de la batería para asegurarse de que puede utilizarse con este producto. Las instrucciones de seguridad del fabricante de la batería deben tenerse siempre en cuenta.

Este producto no está pensado para que lo usen personas (incluidos niños) con capacidades físicas, sensoriales o mentales limitadas, o que no tengan experiencia ni conocimientos, a menos que estén siendo supervisados o hayan sido instruidos en la utilización de este producto por una persona responsable de su seguridad. Se debe vigilar a los niños para asegurarse de que no juegan con el producto.

ADVERTENCIA: No levante objetos pesados sin ayuda

3.1 Transporte y almacenamiento

Para transportar o almacenar el producto, asegúrese de que los cables de alimentación principal y de la batería estén desconectados.

No se aceptará ninguna responsabilidad por los daños producidos durante el transporte si el equipo no lleva su embalaje original.

Guarde el producto en un entorno seco, la temperatura de almacenamiento debe oscilar entre -20°C y 60°C .

Consulte el manual del fabricante de la batería para obtener información sobre el transporte, almacenamiento, recarga y eliminación de la batería.

Proteja los módulos solares de la luz durante la instalación, es decir, tápelos.

No toque nunca terminales de cable no aislados.

Utilice exclusivamente herramientas aisladas.

3.2 Puesta a tierra

Puesta a tierra de la batería: el dispositivo puede instalarse en un sistema con puesta a tierra positiva o negativa.

Nota: ponga a tierra una sola conexión a tierra (preferentemente cerca de la batería) para evitar fallos de funcionamiento del sistema.

- Puesta a tierra del chasis: Se permite una puesta a tierra separada para el chasis, ya que está aislado de los terminales positivo y negativo.
- El NEC (USA National Electrical Code) requiere el uso de un dispositivo externo de protección contra fallos de puesta a tierra (GFPD). Estos cargadores MPPT no disponen de protección interna contra fallos de puesta a tierra. El negativo eléctrico del sistema deberá conectarse a tierra a través de un GFPD y en un solo punto (y sólo uno).
- El cargador no debe estar conectado a paneles FV puestos a tierra. (una conexión de puesta a tierra solamente)
- El positivo y el negativo de los paneles FV no deberán tener puesta a tierra. Ponga el marco de los paneles FV a tierra para reducir el impacto de los rayos.

****CUANDO SE INDICA UN FALLO DE CONEXIÓN A TIERRA, PUEDE QUE LOS TERMINALES DE LA BATERÍA Y LOS CIRCUITOS CONECTADOS NO ESTÉN CONECTADOS A TIERRA Y SEAN PELIGROSOS**

4. Descripción del producto

La base de este producto es un inversor sinusoidal extremadamente potente, un cargador de batería y un conmutador automático en una carcasa compacta. Es adecuado para su uso en aplicaciones marítimas, automovilísticas o estacionarias en tierra firme.

4.1. Características comunes a todas las aplicaciones

4.1.1 Pantalla LCD del GX

Una pantalla retroiluminada de 2x16 caracteres muestra los parámetros del sistema.

4.1.2 Conexiones BMS-Can

La conexión BMS-Can permite conectar baterías compatibles con CAN-bus de 500 kbps. Los productos VE.Can, como los cargadores solares MPPT o un Lynx Shunt VE.Can de Victron no son compatibles.

4.1.3 Ethernet y wifi

Las conexiones de Ethernet y wifi permiten la monitorización local y en remoto del sistema, así como la conexión al portal gratuito VRM de Victron para obtener información del rendimiento del sistema durante largos periodos de tiempo.

4.1.4 Conmutación automática e ininterrumpida

En caso de fallo de la alimentación o de parada del grupo generador, el producto se pondrá en modo inversor y se encargará de alimentar los dispositivos conectados. Esta operación es tan rápida que el funcionamiento de ordenadores y otros dispositivos eléctricos no se ve interrumpido (sistema de alimentación ininterrumpida o SAI). El producto resulta pues muy adecuado como sistema de alimentación de emergencia en aplicaciones industriales y de telecomunicaciones.

4.1.5 Dos salidas CA

Además de la salida ininterrumpida habitual (AC-out-1), hay una segunda salida (AC-out-2) que desconecta su carga en caso de funcionamiento con batería. Ejemplo: hay una caldera eléctrica que sólo funciona con el grupo generador en marcha o con corriente de pantalan. El AC-out-2 puede utilizarse de varias maneras.

4.1.6 Funcionamiento trifásico

Esta unidad puede conectarse a otras unidades y configurarse para una salida trifásica. Pueden conectarse en paralelo hasta seis grupos de tres unidades cada uno para proporcionar una potencia de inversión de 45 kW / 54 kVA y una capacidad de carga de más de 600 A.

4.1.7 PowerControl – máximo uso de una potencia de CA limitada

El producto puede proporcionar una enorme corriente de carga. Esto supone una fuerte carga de la red de CA o del generador. Por lo tanto, se puede establecer una corriente máxima. El producto tiene en cuenta a otros usuarios de corriente y sólo usa la corriente "excedente" para cargar.

4.1.8 PowerAssist – Ampliación del uso de la corriente del generador o de la red

Esta función lleva el principio de PowerControl a otra dimensión, permitiendo que el producto complemente la capacidad de la fuente alternativa. Cuando se requiera un pico de potencia durante un corto espacio de tiempo, como pasa a menudo, el producto compensará inmediatamente la posible falta de potencia de la corriente de la red o del generador con potencia de la batería. Cuando se reduce la carga, la potencia sobrante se utiliza para recargar la batería.

4.1.9 Programable

Todos los valores se pueden cambiar con un ordenador y el software gratuito que se puede descargar desde nuestro sitio web www.victronenergy.com. Para más información, consulte el este manual - <https://docs.victronenergy.com/veconfigure.html>

4.1.10 Relé programable

El producto dispone de un relé programable. El relé puede programarse para distintas aplicaciones, por ejemplo como [relé de arranque para un generador](#).

4.1.11 Transformador de corriente externo (opcional)

Transformador de corriente externo opcional para implementar PowerControl y PowerAssist con sensor de corriente externo.

4.1.12 Puertos de entrada/salida analógicos/digitales programables (Aux en 1 y Aux en 2, véase el apéndice)

El producto dispone de dos puertos de entrada/salida analógicos/digitales. Estos puertos pueden usarse para distintos fines. Una aplicación sería la de comunicarse con el BMS de una batería de iones de litio.

4.2 Sistemas específicos conectados y no conectados a la red combinados con FV

4.2.1 Transformador de corriente externo (opcional)

Cuando se usa en una topología paralela a la red el transformador de corriente interno no puede medir la corriente que procede o se dirige a la red. En este caso es necesario usar un transformador de corriente externo. Véase el apéndice A. Póngase en contacto con su distribuidor Victron para más información sobre este tipo de instalación.

4.2.2 Cambio de frecuencia

Cuando hay inversores solares conectados a la salida del producto, el excedente de energía solar se utiliza para recargar las baterías. Una vez alcanzada la tensión de absorción, la corriente de carga se reduce y la energía sobrante se devuelve a la red. Si la red no está disponible, el producto aumentará ligeramente la frecuencia de CA para reducir la salida del inversor solar.

4.2.3 Monitor de baterías integrado

La solución ideal cuando el producto forma parte de un sistema híbrido (generador diésel, inversor/cargadores, batería acumuladora y energía alternativa). El monitor de baterías integrado puede configurarse para arrancar y detener el generador.

- Arrancar cuando se alcance un % de descarga predeterminado, y/o
- arrancar (con una demora preestablecida) cuando se alcance una tensión de la batería predeterminada, y/o
- arrancar (con una demora preestablecida) cuando se alcance un nivel de carga predeterminado.
- Detener cuando se alcance una tensión de la batería predeterminada, o
- detener (con un tiempo de demora preestablecido) una vez completada la fase de carga inicial, y/o
- detener (con una demora preestablecida) cuando se alcance un nivel de carga predeterminado.

4.2.4 Funcionamiento autónomo en caso de apagón

Las casas o edificios provistos de paneles solares o una micro central eléctrica u otras fuentes de energía sostenible tienen un suministro de energía autónoma potencial que puede utilizarse para alimentar equipos esenciales (bombas de calefacción central, refrigeradores, congeladores, conexiones de Internet, etc.) cuando hay fallos de alimentación. Sin embargo, el problema es que las fuentes de energía sostenible conectadas a la red se caen nada más fallar la red. Este problema puede solucionarse con este producto y baterías: **el producto puede sustituir a la red durante un apagón.** Cuando las fuentes de energía sostenible producen más potencia de la necesaria, el producto utilizará el excedente para cargar las baterías; en caso de potencia insuficiente, el producto suministrará alimentación adicional procedente de la batería.

4.3 Cargador de batería

4.3.1 Baterías de plomo y ácido

Algoritmo de carga adaptable de 4 etapas: carga inicial – absorción – flotación – almacenamiento

El sistema de gestión de baterías variable activado por microprocesador puede ajustarse a distintos tipos de baterías. La función variable adapta automáticamente el proceso de carga al uso de la batería.

La cantidad de carga correcta: tiempo de absorción variable

En caso de una ligera descarga de la batería, la absorción se reduce para evitar sobrecargas y una formación excesiva de gases. Después de una descarga profunda, el tiempo de absorción se amplía automáticamente para cargar la batería completamente.

Prevención de daños por un exceso de gaseado: el modo BatterySafe

Si, para cargar una batería rápidamente, se ha elegido una combinación de alta corriente de carga con una tensión de absorción alta, se evitará que se produzcan daños por exceso de gaseado limitando automáticamente el ritmo de incremento de tensión una vez se haya alcanzado la tensión de gaseado.

Menor envejecimiento y necesidad de mantenimiento cuando la batería no está en uso: el modo de almacenamiento

El modo de almacenamiento se activa cuando la batería no ha sufrido ninguna descarga en 24 horas. En el modo de almacenamiento, la tensión de flotación se reduce a 2,2 V/celda (13,2 V para baterías de 12 V) para reducir el gaseado y la corrosión de las placas positivas. Una vez a la semana, se vuelve a subir la tensión a nivel de absorción para "igualar" la batería. Esta función evita la estratificación del electrolito y la sulfatación, las causas principales de los fallos en las baterías.

Sonda de tensión de la batería: la tensión de carga adecuada

La pérdida de tensión debido a la resistencia del cable puede compensarse utilizando la sonda de tensión para medir la misma directamente en el bus CC o en los terminales de la batería.

Para compensación de la tensión y la temperatura de la batería

El sensor de temperatura (suministrado con el producto) sirve para reducir la tensión de carga cuando la temperatura de la batería sube. Esto es muy importante para las baterías sin mantenimiento que de otro modo se secarían por sobrecarga.

4.3.2 Baterías de ion de litio

Baterías inteligentes LiFePO4 de Victron

Use el BMS VE.Bus

4.3.3 Otras baterías de ion de litio

Véase https://www.victronenergy.com/live/battery_compatibility:start

4.3.4 Más información sobre baterías y carga de baterías

Nuestro libro 'Energía Sin Límites' recoge más información sobre baterías y carga de baterías, y se puede obtener de forma gratuita en nuestro sitio web: www.victronenergy.com/support-and-downloads/whitepapers

Para más información sobre carga adaptativa, consulte la Información técnica general de nuestro sitio web.

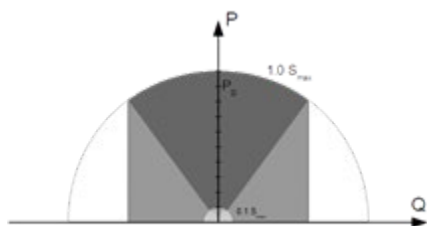
4.4 ESS – Sistemas de almacenamiento de energía: devolver energía a la red

Si el producto se usa con una configuración en la que revertirá energía a la red eléctrica, se debe habilitar el código de conformidad con la red seleccionando con la herramienta VEConfigure el código de conformidad correspondiente al país.

Una vez configurado, se necesitará una contraseña para deshabilitar el código de cumplimiento con la red o cambiar parámetros relativos a dicho código. Póngase en contacto con su distribuidor Victron si necesita esta contraseña.

Según el código de la red eléctrica hay varios modos de control de potencia reactiva disponibles:

- 1 Cos ϕ fijo
- 2 Cos ϕ como función de P
- 3 Q fijo
- 4 Q como función de tensión de entrada



Capacidad de potencia reactiva

Si el código de la red eléctrica local no es compatible con el producto, se deberá utilizar un dispositivo de interfaz externo certificado para conectar el producto a la red.

El producto también puede utilizarse como inversor bidireccional funcionando en paralelo a la red, integrado en un sistema personalizado (PLC u otro) que se ocupa del bucle de control y de la medición de la red.

Nota especial sobre NRS-097 (Sudáfrica)

1. La impedancia máxima permitida para el red es de $0,28 \Omega + j0,18 \Omega$
2. El inversor compensará el desequilibrio que se produciría en caso de múltiples unidades monofase sólo si el Color Control GX forma parte de la instalación.

Notas especiales sobre AS 4777.2 (Australia/Nueva Zelanda)

1. La certificación y la homologación CEC para un uso no conectado a la red NO implica que esté homologado para instalaciones que interactúen con la red. Se necesitarán además las certificaciones IEC 62109.2 y AS 4777.2.2015 antes de implementar sistemas conectados a la red. Consulte en la página web del Consejo de Energía Limpia las homologaciones actuales.
2. DRM – Demand Response Mode (modo de respuesta a la demanda) Si se ha seleccionado el código de red AS4777.2 en VEConfigure, la función DRM 0 está disponible en el puerto AUX1 (véase el Apéndice A). Para permitir la conexión a la red, debe haber una resistencia de entre 5 kOhm y 16 kOhm entre las terminales del puerto AUX1 (marcadas como + y -). El producto se desconectará de la red en caso de que haya un circuito abierto o un cortocircuito entre los bornes del puerto AUX1. La tensión máxima que puede haber entre los bornes del puerto AUX1 es de 5 V. Alternativamente, si no se necesita el DRM 0, esta función se puede deshabilitar con VEConfigure.

5. Funcionamiento

Conmutador On/Off/Charger Only (cargador sólo)

El conmutador está situado en la parte inferior derecha del reverso del producto.

El conmutador tiene tres posiciones. La posición intermedia 0 es Off (apagado). La posición I es On (encendido), y la posición II es Charger Only (cargador sólo).

Cuando se pone en la posición 'I / encendido' (hacia la parte trasera de la unidad), el producto se pone en funcionamiento y el inversor es totalmente funcional.

Si hay una tensión CA conectada al terminal "AC-in" (CA de entrada), esta pasará a través del terminal "AC-out", (CA de salida) si está dentro de las especificaciones. El inversor se apagará y el cargador empezará a cargar. "Bulk" (inicial), "Absorption" (absorción) o "Float" (carga de flotación) se encenderán, según el modo en que se encuentre el cargador. Si la tensión en el terminal "AC-in" se rechaza, el inversor se encenderá.

Cuando el conmutador se pone en "II / Charger only" (cargador sólo), sólo funcionará el cargador de batería del Multi (si hay tensión de la red). En este modo, la tensión de entrada también pasa a través del terminal de salida "AC-out".

NOTA: Cuando sólo necesite la función de carga, asegúrese de que el conmutador está en la posición "II / Charger only". Esto hará que no se active el inversor si se pierde la tensión de la red, evitando así que sus baterías se queden sin carga.

6. Interfaz LCD del GX

La pantalla mostrará información útil de su sistema.

6.1 Comportamiento On/Off (encendido/apagado)

Al poner el aparato se apaga, ya sea con el conmutador físico del dispositivo o mediante los terminales On/off remotos, la tarjeta GX también se apaga. Si apaga el producto de forma remota, utilizando el Digital Multi Control, entonces la tarjeta GX seguirá . Al apagar el inversor/cargador desde los menús del GX, la tarjeta GX también seguirá activa. Por último, cuando el inversor/cargador se apaga solo debido a una alarma, por batería baja o sobretensión, entonces la tarjeta GX también seguirá activa y funcional.

6.2 Comportamiento del pulsador

Si la tarjeta GX está encendida, al pulsar el botón situado al lado de la pantalla se activará la retroiluminación. La retroiluminación se apagará sola pasados 5 minutos.

Una vez activada la retroiluminación, si se pulsa el botón de nuevo se pasará por todas las opciones de pantalla disponibles. Algunas opciones se mostrarán automáticamente y otras requerirán que se pulse el botón.

6.3 Información mostrada

- Energía solar, tensión y estado de la carga (si hay carga conectada)
- Códigos de motivos ESS/DVCC (si están activados)
- Producción solar diaria
- Estado de carga del inversor/cargador (p. ej.: inicial, ESS)
- Estado de la carga, potencia y tensión de la batería
- Dirección IP de la red y tipo de conexión (si está conectado).
- Potencia de CA de entrada y salida

En un sistema con más de una fase, habrá más información de CA de entrada y salida disponible, p. ej.:

- Potencia y tensión de entrada CA de la fase 1.
- Potencia y tensión de salida CA de la fase 1.
- Potencia y tensión de entrada CA de la fase 2.
- Potencia y tensión de salida CA de la fase 2.
- Potencia y tensión de entrada CA de la fase 3.
- Potencia y tensión de salida CA de la fase 3.

6.4 Indicación de códigos de error

Si se produce un error en el sistema, el código de error se mostrará en la pantalla. La pantalla mostrará códigos de error tanto de VE.Bus como de MPPT (si está conectado).

La información básica sobre los códigos de error de VE.Bus se encuentra en la sección Indicaciones de error.

Para una información más detallada sobre los códigos de error, véase:

[Códigos de error de VE.Bus](#)

[Códigos de error de MPPT](#)

El error seguirá mostrándose hasta que se haya solucionado.

7. Conexión de los paneles FV

7.1 Dimensionamiento del sistema

Recomendamos utilizar la [calculadora de dimensionamiento de MPPT disponible en nuestra web](#).

- El controlador de carga solar funcionará solamente si la tensión FV supera la tensión de la batería (Vbat).
- La tensión FV debe exceder en 5 V la Vbat (tensión de la batería) para que arranque el controlador. Una vez arrancado, la tensión FV mínima será de Vbat + 1 V.
- La tensión máxima del circuito abierto de los paneles FV es de 250 V.
- La corriente máxima de cortocircuito de los paneles FV es de 35 A.

Por ejemplo:

- Cantidad mínima de celdas en serie: 144 (4 paneles de 12 V ó 2 paneles de 24 V en serie).
- Máxima: 360 celdas (10 paneles de 12 V ó 5 paneles de 24 V en serie).

Observación: a baja temperatura, la tensión de circuito abierto de un panel solar de 360 celdas podría exceder los 250 V, dependiendo de las condiciones locales y del tipo de celdas. En este caso, la cantidad de celdas en serie deberá reducirse.

El componente MPPT del EasySolar-II GX está preprogramado a 48 V para coincidir con los requisitos del inversor/cargador incluido.

7.2 Conexión

1. Conecte la batería.
2. Conecte el conjunto de placas solares a los pernos solares M6. Nota: si se conecta con la polaridad invertida, el controlador se calentará pero no cargará la batería.

Tenga en cuenta que el fusible de 100 Amp no lo puede reemplazar el usuario final. Si se funde, la unidad deberá llevarse al servicio técnico para su reparación. Sólo se fundirá tras el fallo de otros componentes del dispositivo.

8. Instalación

Este producto contiene tensiones potencialmente peligrosas. Sólo deberá instalarse bajo la supervisión de un instalador debidamente formado y cualificado, y según los requisitos normativos locales. Le rogamos que se ponga en contacto con Victron Energy para más información o para obtener la formación necesaria.

8.1 Ubicación

El producto debe instalarse en una zona seca y bien ventilada, tan cerca como sea posible de las baterías. Debe dejarse un espacio de al menos 10 cm. alrededor del producto para refrigeración.

ADVERTENCIA: Una temperatura ambiente demasiado alta tendrá como resultado:

- Una menor vida útil.
- Una menor corriente de carga.
- Una menor capacidad de pico, o que se apague el inversor. Nunca coloque el aparato directamente sobre las baterías.

Este producto puede montarse en la pared. Para su instalación, en la parte posterior de la carcasa hay dos agujeros y un gancho (véase el apéndice G). El dispositivo puede colocarse horizontal o verticalmente. Para que la ventilación sea óptima es mejor colocarlo verticalmente.

ADVERTENCIA: La parte interior del producto debe quedar accesible tras la instalación.

Intente que la distancia entre el producto y la batería sea la menor posible para minimizar la pérdida de tensión en los cables.

Por motivos de seguridad, este producto debe instalarse en un entorno resistente al calor. Debe evitarse la presencia de productos químicos, componentes sintéticos, cortinas u otros textiles, etc. en su proximidad.

8.2 Conexión de los cables de batería

Para utilizar toda la capacidad del producto, deben utilizarse baterías con capacidad suficiente y cables de batería de sección adecuada. Consulte la tabla.

	48/3000/35
Capacidad de batería recomendada (Ah)	100-400
Fusible CC recomendado	125 A
Sección recomendada (mm ²) para terminales + y -	
0 – 5 m	35 mm ²
5 – 10 m	70 mm ²

Observación: La resistencia interna es el factor determinante al trabajar con baterías de poca capacidad. Por favor, consulte a su proveedor o lea las secciones pertinentes de nuestro libro "Energía Sin Límites", que puede descargarse de nuestro sitio web.

8.3 Procedimiento de conexión de la batería

Conecte los cables de la batería de la manera siguiente:

ADVERTENCIA: Utilice una llave dinamométrica aislada para no cortocircuitar la batería.

Torsión máxima: 14 Nm Evite que los cables de la batería entren en contacto.

ADVERTENCIA: Deberá tener especial cuidado y atención al realizar las conexiones de la batería. Deberá confirmarse la polaridad correcta con un multímetro antes de realizar la conexión. Conectar la batería con la polaridad equivocada destruirá el dispositivo y esto no está cubierto por la garantía.

- Quite los dos tornillos del fondo de la carcasa y retire el panel de servicio.
- Conecte los cables de la batería: Primero el cable - y después el cable +. Tenga en cuenta que podrían producirse chispas al realizar las conexiones de la batería.
- Apriete las tuercas a la torsión indicada para que la resistencia de contacto sea mínima.

8.4 Conexión del cableado de CA

ADVERTENCIA

Este es un producto de clase de seguridad I (suministrado con terminal de puesta a tierra con fines de seguridad). **Los terminales de entrada y/o salida CA y/o el punto de puesta a tierra de la parte interior del producto deben disponer de una conexión a tierra permanente por motivos de seguridad.** Véase el apéndice A.

En una instalación fija, una puesta a tierra ininterrumpida puede asegurarse mediante el cable de puesta a tierra de la entrada de CA. En caso contrario, se deberá poner a tierra la carcasa.

El producto dispone de un relé de puesta a tierra (relé H, véase el apéndice B) que conecta automáticamente la salida del neutro a la carcasa si no hay alimentación CA externa disponible. Si hay alimentación CA externa, el relé de puesta a tierra H se abrirá antes de que el relé de seguridad de entrada se cierre. De esta forma se garantiza el funcionamiento correcto del disyuntor para las fugas a tierra que está conectado a la salida.

En una instalación móvil (por ejemplo con una toma de corriente de un pantalán), la interrupción de la conexión de la toma de puerto desconectará simultáneamente la conexión de puesta a tierra. En tal caso, la carcasa debe conectarse al chasis (del vehículo) o al casco o placa de toma de tierra (de la embarcación). En el caso de los barcos, no se recomienda la conexión directa a la toma de puerto debido a la posible corrosión galvánica. La solución es utilizar un transformador de aislamiento. **Torsión: 2 Nm**

Los bloques terminales se encuentran en el circuito impreso, véase el apéndice A.

No invertir el neutro y la fase al conectar la alimentación CA.

El inversor cuenta con un transformador que aísla la frecuencia de la red. Esto impide que haya corriente CC en un puerto CA. De este modo se pueden usar un diferencial (RCD) de tipo A.

- **AC-in** El cable de entrada de CA puede conectarse al bloque terminal "AC-in". De izquierda a derecha: "N" (neutro), "PE" (tierra) y "L" (fase) **La entrada CA debe protegerse por medio de un fusible o de un disyuntor magnético de 32 A o menos, y el cable debe tener una sección adecuada.** Si la alimentación CA tuviese una capacidad nominal menor, la capacidad del fusible o disyuntor magnético también deberá reducirse.
- **AC-out-1** El cable de salida de CA puede conectarse directamente al bloque terminal "AC-out". De izquierda a derecha: "N" (neutro), "PE" (tierra) y "L" (fase) Gracias a su función PowerAssist, el Multi puede añadir a la salida hasta 3 kVA (esto es, $3000 / 230 = 13$ A) en periodos de gran demanda de potencia. Junto con una corriente de entrada máxima de 32 A, significa que la salida puede suministrar hasta $32 + 13 = 45$ A. Debe incluirse un disyuntor para las fugas a tierra y un fusible o disyuntor capaz de soportar la carga esperada, en serie con la salida, y con una sección de cable adecuada.
- **AC-out-2** Hay una segunda salida que desconecta su carga en caso de funcionamiento con batería. En estos terminales, se conectan equipos que sólo pueden funcionar si hay tensión CA disponible en las entradas AC-in-1, por ejemplo, una caldera eléctrica o un aire acondicionado. La carga conectada a AC-out-2 se desconecta inmediatamente cuando el inversor/cargador cambia a funcionamiento con batería. Una vez que las entradas AC-in-1 disponen de CA, la carga en AC-out-2 se volverá a conectar, en un lapso de aproximadamente 2 minutos. Esto permite que se establezca el generador.

8.5 Conexiones opcionales

Existen varias conexiones opcionales distintas:

8.5.1 Control remoto

El producto puede manejarse de forma remota de dos maneras:

- Con un conmutador externo (terminal de conexión M, véase el apéndice A). Sólo funciona si el conmutador del dispositivo está en "on".
- Con un panel Digital Multi Control (conectado a una de las dos tomas RJ45 L, véase el apéndice A). Sólo funciona si el conmutador del dispositivo está en "on".

El panel Digital Multi Control tiene un selector giratorio con el que se puede fijar la corriente máxima de entrada CA: véase PowerControl y PowerAssist.

8.5.2 Relé programable

El producto dispone de un relé programable.

El relé puede programarse para cualquier otro tipo de aplicación, por ejemplo como relé de arranque para un generador.

8.5.3 Puertos programables analógicos/digitales de entrada/salida

El producto dispone de 2 puertos de entrada/salida analógicos/digitales.

Estos puertos pueden usarse para distintos fines. Una aplicación sería la de comunicarse con el BMS o con una batería de iones de litio.

8.5.4 Sonda de tensión (terminal de conexión J, véase el apéndice A)

Para compensar las posibles pérdidas por cable durante la carga, se pueden conectar dos sondas con las que se mide la tensión directamente en la batería o en los puntos de distribución positivos y negativos. Utilice cable con una sección de 0,75 mm².

Durante la carga de la batería, el inversor/cargador compensará la caída de tensión en los cables CC hasta un máximo de 1 voltio (es decir, 1 V en la conexión positiva y 1 V en la negativa). Si la caída de tensión puede ser superior a 1 V, la corriente de carga se limita de forma que la caída de tensión sigue siendo de 1 V.

8.5.5 Sensor de temperatura (terminal de conexión J, véase el apéndice A)

Para cargas compensadas por temperatura, puede conectarse el sensor de temperatura (que se suministra con el inversor/cargador). El sensor está aislado y debe colocarse en el terminal negativo de la batería.

8.5.6 Conexión en paralelo

En los sistemas trifásicos y paralelos es obligatorio usar unidades idénticas. En este caso, como sólo se permite un dispositivo GX por sistema, si quiere hacer un sistema en paralelo o trifásico con este producto, deberá encontrar el mismo modelo MultiPlus-II para emparejarlo.

Para que sea más fácil encontrar unidades idénticas, considere utilizar el MultiPlus-II para sistemas en paralelo o trifásicos, y un dispositivo GX externo.

Pueden conectarse hasta seis unidades en paralelo. Para conectar este producto con un MultiPlus-II en un sistema en paralelo, se deben cumplir los siguientes requisitos:

ADVERTENCIA

- Es esencial que el terminal negativo de la batería situado entre las unidades esté siempre conectado. No puede haber un fusible o disyuntor en el negativo.
- Todas las unidades deben conectarse a la misma batería.
- Un máximo de seis unidades conectadas en paralelo.
- Los dispositivos deben ser idénticos (excepto por el GX) y tener el mismo firmware.
- Los cables de conexión de CC a los dispositivos deben tener la misma longitud y sección.
- Si se utiliza un punto de distribución CC negativo y otro positivo, la sección de la conexión entre las baterías y el punto de distribución CC debe ser al menos igual a la suma de las secciones requeridas para las conexiones entre el punto de distribución y las unidades.
- Interconecte siempre los cables negativos de la batería antes de colocar los cables UTP.
- Coloque las unidades cerca entre sí, pero deje al menos 10cm para ventilación por debajo, por encima y por los lados de las unidades.
- Los cables UTP deben conectarse directamente desde una unidad a la otra (y al panel remoto). No se permiten cajas de conexión o distribución.
- Sólo puede conectarse al **sistema** un medio de control remoto (panel o conmutador). Esto significa un solo GX.

8.5.7 Funcionamiento trifásico

El producto también puede utilizarse en una configuración trifásica en "i" griega (Y). Para ello, se hace una conexión entre los dispositivos con cables UTP RJ45 estándar (igual que para el funcionamiento en paralelo). A continuación será necesario configurar el **sistema**.

Requisitos previos: véase la sección Sonda de tensión.

1. Nota: El producto no es adecuado para una configuración trifásica delta (Δ).
2. Cuando en VEConfigure se ha seleccionado el código de red AS4777.2, en un sistema trifásico sólo se permiten 2 unidades en paralelo por fase.

Para obtener información más detallada sobre configuración paralela y trifásica, hablelo en primer lugar con su distribuidor Victron y consulte este manual

específico: https://www.victronenergy.com/live/ve.bus:manual_parallel_and_three_phase_systems

8.5.8 Conexión al Portal VRM

Para conectar el producto a VRM se necesita una conexión a Internet. Esto puede hacerse por wifi o, preferiblemente, mediante conexión por cable ethernet a un router.

El ID del sitio VRM se encuentra en una etiqueta dentro de la zona de conexiones de cables del dispositivo.

Para más información sobre cómo configurar VRM, consulte el [Manual de introducción a VRM](#)

9. Configuración

Esta sección está pensada principalmente para aplicaciones autónomas.

Para sistemas de almacenamiento de energía (ESS) conectados a la red,

consulte <https://www.victronenergy.com/live/ess:start>

- Los ajustes sólo deberá cambiarlos un instalador debidamente formado y cualificado, y según los requisitos normativos locales. Le rogamos que se ponga en contacto con Victron para más información o para obtener la formación necesaria.
- Lea las instrucciones atentamente antes de implementar los cambios.
- Durante la configuración del cargador, debe retirarse la entrada CA.

9.1 Valores estándar: listo para usar

El producto se entrega con los valores estándar de fábrica. Por lo general, estos valores son adecuados para el funcionamiento de una sola unidad.

ADVERTENCIA

Puede que la tensión estándar de carga de la batería no sea adecuada para sus baterías. Consulte la documentación del fabricante o al proveedor de la batería.

Valores estándar de fábrica

Parámetro	Valor
Frecuencia del inversor	50 Hz
Rango de frecuencia de entrada	45 – 65 Hz
Rango de tensión de entrada	180 – 265 VCA
Tensión del inversor	230 VCA
Autónomo/paralelo/trifásico	autónomo
AES (conmutador de ahorro automático)	off
Relé de puesta a tierra	on
Cargador on/off	on
Curva de carga de la batería	variable de cuatro fases con modo BatterySafe
Corriente de carga	100% de la corriente de carga máxima
Tipo de batería	Victron Gel Deep Discharge (también adecuada para Victron AGM Deep Discharge)
Carga de equalización automática	off
Tensión de absorción	57,6 V
Tiempo de absorción	hasta 8 horas (dependiendo del tiempo inicial)
Tensión de flotación	55,2 V
Tensión de almacenamiento	52,8 V (no ajustable)
Tiempo de absorción repetida	1 hora
Intervalo de absorción repetida	7 días
Protección inicial	on
Límite de corriente CA de entrada	32 A (=límite de corriente ajustable para las funciones PowerControl y PowerAssist)
Función SAI	on
Limitador de corriente dinámico	off
WeakAC (CA débil)	off
BoostFactor	2
Relé programable	función alarma
PowerAssist	on

9.2 Explicación de los ajustes

A continuación se describen brevemente los ajustes que necesitan explicación. Para más información consulte la ayuda en pantalla de los programas de configuración de software.

Frecuencia del inversor

Frecuencia de salida si no hay CA en la entrada.

Ajustabilidad: 50 Hz; 60 Hz

Rango de frecuencia de entrada

Rango de frecuencia de entrada aceptado. El producto se sincroniza dentro de este rango con la frecuencia de entrada de CA. La frecuencia de salida es entonces igual a la frecuencia de entrada.

Ajustabilidad: 45 – 65 Hz; 45 – 55 Hz; 55 – 65 Hz

Rango de tensión de entrada

Rango de tensión aceptado. El producto se sincroniza dentro de este rango con la entrada de CA. La tensión de salida es entonces igual a la tensión de entrada.

Ajustabilidad:

Límite inferior: 180 – 230 V

Límite superior: 230 – 270 V

Nota: la configuración estándar del límite inferior de 180 V está pensada para su conexión a una red eléctrica con poca potencia, o a un generador con una salida CA inestable. Esta configuración podría provocar un apagón del sistema al conectarlo a un "generador CA síncrono sin escobillas, autoexcitado, regulado por tensión externa" (generador AVR síncrono). La mayoría de los generadores de 10 kVA o más son generadores AVR síncronos. El apagón se inicia cuando se detiene el generador y baja de revoluciones, mientras el AVR "intenta" simultáneamente mantener la tensión de salida del generador a 230 V.

La solución es incrementar el límite inferior a 210 VCA (la salida de los generadores AVR es generalmente muy estable), o desconectar el producto del generador cuando se oye la señal de parada del generador (con la ayuda de un contactor CA instalado en serie con el generador).

Tensión del inversor

Tensión de salida funcionando con batería.

Ajustabilidad: 210 – 245 V

Funcionamiento autónomo/paralelo/ajuste bi-trifásico

Con múltiples dispositivos se puede:

- aumentar la potencia total del inversor (varios dispositivos en paralelo)
- crear un sistema de fase dividida con un autotransformador por separado: véase la ficha técnica y el manual del autotransformador VE
- crear un sistema trifásico.

Los ajustes estándar del producto son para un solo dispositivo en funcionamiento autónomo.

AES (conmutador de ahorro automático)

Si este parámetro está activado, el consumo de energía en funcionamiento sin carga y con carga baja disminuye aproximadamente un 20%, "estrechando" ligeramente la tensión sinusoidal. Sólo aplicable para configuración autónoma.

Modo de búsqueda

También puede seleccionarse el **modo de búsqueda** en vez del modo AES. Si el modo de búsqueda está activado, el consumo en funcionamiento sin carga disminuye aproximadamente en un 70%. En este modo el producto, cuando funciona en modo inversor, se apaga si no hay carga o si hay muy poca, y se vuelve a encender cada dos segundos durante un breve periodo de tiempo. Si la corriente de salida excede un nivel preestablecido, el inversor seguirá funcionando. En caso contrario, el inversor volverá a apagarse.

Los niveles de carga "shut down" (apagar) y "remain on" (permanecer encendido) del modo de búsqueda pueden configurarse con VEConfigure.

Los ajustes por defecto son:

Acción	Límite
Apagar	40 Vatios (carga lineal)
Encender	100 Vatios (carga lineal)

Relé de puesta a tierra (véase el apéndice B)

Con este relé, el cable neutro de la salida de CA se pone a tierra conectándolo a la carcasa cuando los relés de seguridad de retroalimentación están abiertos. Esto garantiza un funcionamiento correcto de los disyuntores para las fugas a tierra en la salida. Si fuese necesario se puede conectar un relé de puesta a tierra externo (para un sistema de fase dividida con un autotransformador por separado). Véase el apéndice A.

Algoritmo de carga de batería

El ajuste estándar es "Variable de cuatro fases con modo BatterySafe".

Este es el algoritmo de carga recomendado para baterías de plomo y ácido. Consulte las demás características en la ayuda en pantalla de los programas de configuración del software.

Tipo de batería

El ajuste estándar es el más adecuado para Victron Gel Deep Discharge, Gel Exide A200 y baterías estacionarias de placa tubular (OPzS). Esta configuración también puede usarse para muchas otras baterías: por ejemplo, Victron AGM Deep Discharge y otras baterías AGM, y muchos tipos de baterías abiertas de placa plana.

Con VEConfigure el algoritmo de carga puede ajustarse para cualquier tipo de batería (baterías de Níquel Cadmio o de ion litio).

Tiempo de absorción

En el caso del ajuste estándar "Variable de cuatro etapas con modo BatterySafe", el tiempo de absorción depende del tiempo de carga inicial (curva de carga variable) para que la batería se cargue de forma óptima.

9.2.1 Ecuilibración

Las baterías de tracción necesitan cargarse de forma regular. En modo ecualización, el producto cargará con mayor tensión durante una hora (4 V para una batería de 48 V). La corriente de carga se limita después a ¼ del valor establecido.

El modo de ecualización suministra una tensión de carga superior de la que pueden soportar la mayoría de los dispositivos que consumen CC. Estos dispositivos deben desconectarse antes de proceder a la carga adicional.

Carga de ecualización automática

Este ajuste está pensado para baterías de tracción de placa tubular inundadas o baterías OPzS. Durante la absorción, la tensión límite se incrementa a 2,83 V/celda (68 V para una batería de 48 V) una vez que la corriente de carga haya bajado a menos del 10% de la corriente máxima establecida.

Véase "curva de carga para baterías de tracción de placa tubular" en VEConfigure.

Tensión de almacenamiento, tiempo de absorción repetida, intervalo de absorción repetida

Véase el Apéndice E.

Protección de carga inicial

Cuando este parámetro está activado, el tiempo de carga inicial se limita a 10 horas. Un tiempo de carga mayor podría indicar un error del sistema (p. ej.: un cortocircuito de celda de batería).

Límite de corriente CA de entrada

Son los ajustes de limitación de corriente en que se ponen en funcionamiento PowerControl y PowerAssist.

Rango de ajuste de PowerAssist: de 5,3 A a 32 A.

Ajuste de fábrica: valor máximo (32 A).

Función SAI

Si este ajuste está "on" (activado) y la CA de entrada falla, el producto pasa a funcionamiento de inversor prácticamente sin interrupción.

La tensión de salida para algunos grupos generadores pequeños es demasiado inestable y distorsionada para usar este ajuste; el producto conmutaría a funcionamiento de inversor continuamente. Por este motivo, este ajuste puede desactivarse. El producto responderá entonces con menos rapidez a las fluctuaciones de la tensión de entrada de CA. El tiempo de conmutación a funcionamiento en modo inversor es por tanto algo mayor, pero la mayoría de los equipos (ordenadores, relojes o electrodomésticos) no se ven afectados negativamente.

Recomendación: Desactive la función SAI si el el producto no se sincroniza o pasa continuamente a funcionamiento inversor.

Limitador de corriente dinámico

Pensado para generadores, la tensión CA es generada mediante un inversor estático (los denominados generadores "inversores"). En estos generadores, las rpm del motor se reducen si la carga es baja: de esta forma se reduce el ruido, el consumo de combustible y la contaminación. Una desventaja es que la tensión de salida caerá enormemente o incluso fallará completamente en caso de un aumento súbito de la carga. Sólo puede suministrarse más carga después de que el motor alcance la velocidad normal.

Si este ajuste está "on" (activado), el producto empezará a suministrar energía adicional a un nivel de salida de generador bajo y gradualmente permitirá al generador suministrar más, hasta que alcance el límite de corriente establecido. Esto permite al motor del generador alcanzar su régimen normal.

Este parámetro también se utiliza para generadores "clásicos" de respuesta lenta a una variación súbita de la carga.

Weak AC (CA débil)

Una distorsión fuerte de la tensión de entrada puede tener como resultado que el cargador apenas funcione o no funcione en absoluto. Si se activa WeakAC, el cargador también aceptará una tensión muy distorsionada a costa de una mayor distorsión de la corriente de entrada.

Recomendación: Conecte WeakAC si el cargador no carga apenas o en absoluto (lo que es bastante raro). Conecte al mismo tiempo el limitador de corriente dinámico y reduzca la corriente de carga máxima para evitar la sobrecarga del generador si fuese necesario.

Nota: cuando WeakAC está activado, la corriente de carga máxima se reduce aproximadamente un 20%.

BoostFactor Este valor ajusta el comportamiento del PowerAssist. Si PowerAssist le da problemas (p. ej.: sobrecarga), consulte a un especialista formado por Victron Energy antes de intentar modificarlo.

Relé programable

El dispositivo dispone de tres relés programables. Estos relés pueden programarse para todo tipo de aplicaciones, por ejemplo como relé de arranque para un generador.

Salida de CA auxiliar (AC-out-2)

Está destinada a cargas no críticas y se conecta directamente a la entrada de CA. Con un circuito de medición de corriente para permitir el uso de PowerAssist.

9.3 Inversor/cargador

Para más información sobre la configuración del componente inversor/cargador del EasySolar-II GX, consulte los [Manuales de MultiPlus-II](#)

La función de programación completa del inversor/cargador requiere el uso de un ordenador portátil con [VEConfigure](#). Las opciones de configuración de [VictronConnect](#) son limitadas.

9.4 Controlador de carga SmartSolar MPPT 250/70

El cargador solar se configura utilizando VictronConnect. El método más sencillo de conectarlo a la parte del cargador solar es vía Bluetooth. Esto funciona para Android, iOS y macOS. No funciona para Windows.

Si necesita usar Windows, desconecte el cable VE.Direct del cargador solar y utilice un [cable de interfaz VE.Direct USB](#) para conectarse a su ordenador Windows. Una vez terminado, vuelva a conectar el cable VE.Direct que va del dispositivo GX interno al cargador solar.

Para obtener la documentación completa del MPPT incluido dentro del EasySolar-II GX, consulte estos documentos:

- [documentación del SmartSolar MPPT 250/70](#)
- [Cargadores solares MPPT VictronConnect](#)
- [Manual de VictronConnect](#)

10. Mantenimiento

El producto no necesita un mantenimiento específico. Bastará con comprobar todas las conexiones una vez al año. Evite la humedad y la grasa, el hollín y el vapor y mantenga limpio el equipo.

11. Indicaciones de error

Los siguientes procedimientos permiten identificar rápidamente la mayoría de los errores. Si un error no se puede resolver, consulte al proveedor de Victron Energy.

11.1 Indicaciones generales de error

Problema	Causa	Solución
No hay tensión de salida en AC-out-2.	EasySolar-II GX en modo inversor	
La unidad no conmuta a funcionamiento por generador o por red.	El disyuntor o el fusible de la entrada de CA ha saltado debido a una sobrecarga.	Retire la sobrecarga o el cortocircuito de AC-out-1 o AC-out-2, y reponga el fusible/disyuntor.
El inversor no se ha puesto en marcha al encenderlo.	La tensión de la batería es muy alta o muy baja. No hay tensión en la conexión CC.	Compruebe que la tensión de la batería está en el rango correcto.
'Low battery' (batería baja)	Baja tensión de la batería.	Cargue la batería o compruebe las conexiones de la misma.
'Low battery' (Apagado)	El convertidor se apaga porque la tensión de la batería es muy baja.	Cargue la batería o compruebe las conexiones de la misma.
'Overload' (Sobrecarga)	La carga del convertidor supera la carga nominal.	Reducir la carga.
'Overload' (Apagado)	El convertidor se apaga por exceso de carga.	Reducir la carga.
'Over Temperature' (Sobrecalentamiento)	La temperatura ambiente es alta o la carga es excesiva.	Instale el convertidor en un ambiente fresco y bien ventilado o reduzca la carga.
'Low Bat V Overload' (Sobrecarga por tensión baja de la batería) (Apagado)	Baja tensión de batería y carga excesiva.	Cargue las baterías, desconecte o reduzca la carga o instale baterías de alta capacidad. Instale cables de batería más cortos o más gruesos.
'High DC Ripple' (Tensión de ondulación CC alta)	La tensión de ondulación en la conexión CC supera 1,5 Vrms.	Compruebe los cables de la batería y las conexiones. Compruebe si la capacidad de la batería es bastante alta y aumentela si es necesario.
'DC Ripple Shutdown' (Apagado por tensión de ondulación CC)	El inversor se para debido a un exceso de tensión de ondulación en la entrada.	Instale baterías de mayor capacidad. Coloque cables de batería más cortos o más gruesos y reinicie el inversor (apagar y volver a encender).
El cargador no funciona.	La tensión de entrada de CA o la frecuencia no están en el rango establecido.	Compruebe que el valor CA de entrada está entre 185 VCA y 265 VCA, y que la frecuencia está en el rango establecido (valor predeterminado 45-65 Hz).
	El disyuntor o el fusible de la entrada de CA ha saltado debido a una sobrecarga.	Retire la sobrecarga o el cortocircuito de AC-out-1 o AC-out-2, y reponga el fusible/disyuntor
	El fusible de la batería se ha fundido.	Cambiar el fusible de la batería.
	La distorsión de la tensión de entrada CA es demasiado grande (generalmente alimentación de generador).	Active los valores WeakAC y limitador de corriente dinámico.
El cargador no funciona. Se muestra "Bulk Protection".	El EasySolar-II GX está en modo "Bulk protection" (protección de carga inicial) por tanto, se ha excedido el tiempo máximo de carga inicial de 10 horas. Un tiempo de carga tan largo podría indicar un error del sistema (p. ej., un cortocircuito de celda de batería).	Compruebe las baterías. NOTA: Puede resetear el modo de error apagando y volviendo a encender el EasySolar-II GX. El ajuste de fábrica del modo "Protección de carga inicial" del EasySolar-II GX es "on" (activado). El modo "Protección de carga inicial" sólo puede desactivarse a través del VEConfigure.
La batería no está completamente cargada.	La corriente de carga es excesivamente alta, provocando una fase de absorción prematura.	Fije la corriente de carga a un nivel entre 0,1 y 0,2 veces la capacidad de la batería.
	Mala conexión de la batería.	Comprobar las conexiones de la batería.
	La tensión de absorción se ha fijado en un nivel incorrecto (demasiado bajo).	Fije la tensión de absorción al nivel correcto.
	La tensión de flotación se ha fijado en un nivel incorrecto (demasiado bajo).	Fije la tensión de flotación en el nivel correcto.
	El tiempo de carga disponible es demasiado corto para cargar	Seleccione un tiempo de carga mayor o una corriente de carga superior.

	completamente la batería.	
	El tiempo de absorción es demasiado corto. En el caso de carga variable, esto puede deberse a una corriente de carga extremadamente alta con respecto a la capacidad de la batería, de modo que el tiempo de carga inicial es insuficiente.	Reduzca la corriente de carga o seleccione las características de carga "fijas".
Sobrecarga de la batería.	La tensión de absorción se ha fijado en un nivel incorrecto (demasiado alto).	Fije la tensión de absorción al nivel correcto.
	La tensión de flotación se ha fijado en un nivel incorrecto (demasiado alto).	Fije la tensión de flotación en el nivel correcto.
	Batería en mal estado.	Cambie la batería.
	La temperatura de la batería es demasiado alta (por mala ventilación, temperatura ambiente excesivamente alta o corriente de carga muy alta).	Mejorar la ventilación, instalar las baterías en un ambiente más fresco, reducir la corriente de carga, y conectar el sensor de temperatura.
La corriente de carga cae a 0 tan pronto como se inicia la fase de absorción.	Sensor de temperatura de la batería defectuoso	Desconecte el sensor de temperatura del EasySolar-II GX. Si la carga funciona bien después de 1 minuto aproximadamente, deberá cambiar el sensor de temperatura.
	La batería está sobrecalentada (+50°C)	Instale la batería en un entorno más fresco
		Reduzca la corriente de carga
		Compruebe si alguna de las celdas de la batería tiene un cortocircuito interno

11.2 Códigos de error VE.Bus

Un sistema VE.Bus puede mostrar varios códigos de error. Estos códigos se muestran en la pantalla frontal del GX. Para interpretar un código de error de VE.Bus correctamente, deberá consultar la documentación sobre códigos de error de VE.Bus - https://www.victronenergy.com/live/ve.bus:ve.bus_error_codes.

Código	Significado:	Causa/solución:
1	El dispositivo está apagado porque ninguna de las otras fases del sistema se ha desconectado.	Compruebe la fase que falla.
3	No se encontraron todos los dispositivos, o más de los esperados, en el sistema.	El sistema no está bien configurado. Reconfigurar el sistema. Si el error persiste, posible error del cable de comunicación. Compruebe los cables y apague todo el equipo y vuelva a encenderlo.
4	No se ha detectado otro dispositivo.	Compruebe los cables de comunicaciones.
5	Sobretensión en AC-out.	Compruebe los cables CA.
10	Se ha producido un problema de sincronización del tiempo del sistema.	No debe ocurrir si el equipo está bien instalado. Compruebe los cables de comunicaciones.
14	El dispositivo no puede transmitir datos.	Compruebe los cables de comunicaciones (puede haber un cortocircuito).
17	Uno de los dispositivos ha asumido el papel de "maestro" porque el original ha fallado.	Compruebe la unidad que falla. Compruebe los cables de comunicaciones.
18	Se ha producido una sobretensión.	Compruebe los cables CA.
22	Este dispositivo no puede funcionar como "esclavo".	Este dispositivo es un modelo obsoleto e inadecuado. Debe cambiarse.
24	Se ha iniciado la protección del sistema de conmutación.	No debe ocurrir si el equipo está bien instalado. Apague todos los equipos y vuelva a encenderlos. Si el problema se repite, compruebe la instalación. Solución posible: incrementar el límite inferior de la tensión CA de entrada a 210 VCA (ajuste de fábrica: 180 VCA)
25	Incompatibilidad de firmware. El firmware de uno de los dispositivos conectados no está actualizado para funcionar con este dispositivo.	1) Apague todos los equipos. 2) Encienda el dispositivo que mostraba este error. 3) Encienda los demás dispositivos uno a uno hasta que vuelva a aparecer el mensaje de error. 4) Actualice el firmware del último dispositivo que estuvo encendido.
26	Error interno.	No debe ocurrir. Apague todos los equipos y vuelva a encenderlos. Póngase en contacto con Victron Energy si el problema persiste.

12. Especificaciones técnicas

EasySolar-II GX	INVERSOR/CARGADOR
PowerControl y PowerAssist	sí
Conmutador de transferencia	32 A
Corriente máxima de entrada CA	32 A
Salida auxiliar	32 A
INVERSOR	
Rango de tensión de entrada	38 – 66 V
Salida	Tensión de salida: 230 VCA ± 2% Frecuencia: 50 Hz ± 0,1% (1)
Potencia cont. de salida a 25 °C (3)	3000 VA / 2400 W
Potencia cont. de salida a 40°C / 65°C	2200 W / 1700 W
Máxima potencia de alimentación aparente	2500 VA
Pico de potencia	5500 W
Eficacia máxima	95%
Consumo en vacío	11 W
Consumo en vacío en modo AES	7 W
Consumo en vacío en modo búsqueda	2 W
CARGADOR	
Entrada de CA	Rango de tensión de entrada: 187-265 VCA Frecuencia de entrada: 45 – 65 Hz
Tensión de carga de "absorción"	57,6 V
Tensión de carga de "flotación"	55,2 V
Modo de almacenamiento	52,8 V
Máxima corriente de carga de la batería (4)	35 A
Sensor de temperatura de la batería	Sí
Relé programable (5)	Sí
Protección (2)	a – g
Puerto de comunicación VE.Bus	Para funcionamiento paralelo y trifásico, control remoto e integración del sistema
Puerto de comunicaciones de uso general	Sí, 2 puertos
SMARTSOLAR MPPT 250/70-Tr	
Modelo	SmartSolar MPPT 250/70-Tr
Corriente máxima de salida	70 A
Potencia FV máxima	4000 W
Tensión máxima del circuito abierto FV	250 V
Eficacia máxima	98%
Autoconsumo	20 mA
Tensión de carga de "absorción", por defecto	57,6 V
Tensión de carga de "flotación", por defecto	55,2 V
Protección (2)	a - e
GENERAL	
Interfaces	Puerto BMS-Can (VE.Can no compatible), USB, Ethernet, VE.Direct, wifi
On/Off remoto	Sí
Rango de temp. de funcionamiento	-40 a +65°C (refrigerado por ventilador)
Humedad (sin condensación)	máx. 95%
CARCASA	
Material y color	Acero, azul RAL 5012
Grado de protección	IP21
Conexión de la batería	Pernos M8
Conexión FV	Pernos M6
Conexión 230 V CA	Bornes de tornillo de 13 mm ² (6 AWG)
Peso	26 kg
Dimensiones (al x an x p)	506 x 275 x 147 mm
NORMAS	
Seguridad	EN-IEC 60335-1, EN-IEC 60335-2-29
Emisiones/Normativas	EN 55014-1, EN 55014-2 EN-IEC 61000-3-2, EN-IEC 61000-3-3 IEC 61000-6-1, IEC 61000-6-2, IEC 61000-6-3
Antiisla	Visite nuestra página web
1) Puede ajustarse a 60 Hz 2) Clave de protección: a) cortocircuito de salida b) sobrecarga c) tensión de la batería demasiado alta d) tensión de la batería demasiado baja h) temperatura demasiado alta f) 230 VCA en la salida del inversor g) ondulación de la tensión de entrada demasiado alta	3) Carga no lineal, factor de cresta 3:1 4) A 25°C de temperatura ambiente 5) Relé programable que puede configurarse como alarma general, subtensión CC o función de arranque/parada para el generador. Capacidad nominal CA: 230V/4A, Capacidad nominal CC: 4 A hasta 35 VCC y 1 A hasta 60 VCC

EN

NL

FR

DE

ES

SE

IT

Appendix

12. ESPECIFICACIONES TÉCNICAS - Dispositivo GX

Dispositivo GX	INTERFAZ DE USUARIO
Pantalla	Pantalla de 2x16 caracteres
Consola remota	sí
Señal acústica	sí
PuertoS de comunicación Victron	
Puertos VE.Direct (siempre aislados)	1
Puerto BMS-Can exclusivo (VE.Can no compatible)	2 tomas RJ45 en paralelo – aisladas
VE.Bus	2 tomas RJ45 en paralelo – aisladas
Productos que no son de Victron	
Batías Canbus-BMS	Muchas marcas de baterías. Aquí puede ver los detalles
Inversores FV Fronius	Aquí puede ver los detalles
Inversores FV SMA	Aquí puede ver los detalles
Inversores FV ABB	Aquí puede ver los detalles
Inversores FV SolarEdge	Aquí puede ver los detalles
COMUNICACIÓN	
USB	1 puerto host USB – no aislado
Ethernet	toma RJ45 10/100
wifi	integrado
Bluetooth Smart	no
Ranura para tarjeta Micro SD	no
Puerto CAN-bus adicional	no
Puerto VE.Can	no
RS485 integrado	no
IO	
Relé programable ⁽⁷⁾	N/A
Entradas nivel depósito combustible resistivas	no
Entradas del sensor de temperatura	no
Entradas digitales	no
FUNCIONAMIENTO	
CPU	cuatro núcleos
RAM	512MB
Max. dispositivos VE.Direct ⁽¹⁾	25
CPU	cuatro núcleos
OTROS	
Tensión de alimentación	alimentación interna, sin alimentación externa
Montaje	Integrado
Temperatura de trabajo	-20 a +50°C
Reloj respaldado por batería	sí

1. Introduktion

Victron EasySolar-II GX innehåller följande element:

- En kraftfull MultiPlus-II växelriktare/laddare
- En SmartSolar MPPT-solcellsladdningsregulator
- En GX-enhet med en display på 2x16 tecken

Dessa element är förkopplade och förkonfigurerade tillsammans inuti en enda enhet. Detta förenklar de flesta installationer och spar tid och pengar.

Det här dokumentet förklarar hur alla komponenter passar ihop, hur produkten ska installeras och vilken dokumentation som ska användas för konfiguration och andra detaljer om dess individuella delar.

Det här dokumentet förklarar:

- Funktioner
- Beteende
- Specifikationer
- Begränsningar:
- Installationsinstruktioner
- Felsökning steg-för-steg

Du måste läsa den för att förstå hur du ska använda din produkt tryggt och säkert.

Handboken gäller för:

- EasySolar-II GX 48/3000/35-32

2. Senaste dokumentation

Du kan snabbt få tillgång till den senaste versionen av den här handboken online genom att besöka följande länk:
<https://docs.victronenergy.com/easysolar-ii-gx.html>

3. Säkerhetsinstruktioner

Var vänlig läs dokumentationen som medföljer denna produkt först, så att du är bekant med säkerhetsangivelser och instruktioner innan du använder produkten. Produkten är utvecklad och testad i enlighet med internationella standarder. Produkten bör endast användas för sitt avsedda användningsområde.

WARNING: FARA FÖR ELEKTRISKA STÖTAR

Produkten används i kombination med en permanent strömkälla (batteri). Även om produkten är avstängd kan en farlig elektrisk spänning förekomma vid ingångs- och/eller utgångspolerna. Stäng alltid av växelströmmen och koppla ur batteriet innan du utför underhållsarbete.

Produkten innehåller inga interna delar som kan underhållas av användaren. Avlägsna inte frontpanelen och använd inte produkten om inte alla paneler är monterade. Allt underhåll bör utföras av utbildad personal.

Använd inte produkten på platser där gas- eller dammexplosioner kan inträffa. Kontrollera batteritillverkarens instruktioner för att säkerställa att batteriet passar för användning med denna produkt. Batteritillverkarens säkerhetsinstruktioner bör alltid respekteras.

Denna produkt är inte avsedd för användning av personer (inklusive barn) med nedsatt fysiska, sensoriska eller mental förmåga eller med avsaknad av erfarenhet eller kunskap såvida de inte övervakas eller får instruktion om hur man använder produkten av en person som är ansvarig för deras säkerhet. Barn ska övervakas för att säkerställa att de inte leker med produkten.

WARNING: Lyft inte tunga föremål på egen hand.

3.1 Transport och förvaring

Säkerställ att nätströmmen och batterikablarna är urkopplade vid förvaring eller transport av produkten. Inget ansvar kommer att accepteras för skador under transport om utrustningen inte transporteras i sin originalförpackning.

Förvara produkten i en torr miljö; förvaringstemperaturen bör vara inom intervallet -20 °C till 60 °C .

Se batteritillverkarens bruksanvisning för information om transport, förvaring, laddning, uppladdning och bortskaffning av batteriet.

Skydda solcellsmodulerna från infallande ljus under installationen dvs. täck över dem.

Vidrör aldrig oisolerade kabeländar.

Använd endast isolerade verktyg

3.2 Jordning

Batterijordning: enheten kan installeras i ett positivt eller negativt jordat system.

Obs: använd bara en jordad anslutning (helst nära batteriet) för att förhindra en felaktig funktion av systemet.

- Chassisjordning: En separat jordad gång för chassisets jord är tillåten eftersom den är isolerad från de positiva och negativa polerna.
- De nordamerikanska elföreskrifterna (NEC) kräver att man använder en extern skyddsanordning mot jordfel (GFPD). Dessa MPPT-laddare har inte något internt jordfelsskydd. Systemets elektriska negativa pol ska bindas genom en GFPD till jord på en (och endast en) plats.
- Laddaren får inte anslutas till jordade solcellspaneler. (endast en jordad anslutning)
- Plus- och minus på solcellspanelen ska inte vara jordade. Jorda ramen på solcellspanelerna för att minska påverkan av blixten.

****NÄR SYSTEMET INDIKERAR ETT JORDFEL KAN BATTERITERMINALERNA OCH ANSLUTNA KRETSAR VARA OJORDADE OCH FARLIGA.**

4. Produktbeskrivning

De grundläggande funktionerna för produkten är att det är en extremt kraftfull sinusväxelriktare, batteriladdare och automatisk switch i ett kompakt hölje. Den passar till både för marin- och fordonsrelaterad användning samt för stationär landbaserad användning.

4.1. Funktioner som gäller alla tillämpningar

4.1.1 GX LCD-skärm

En bakgrundsbelyst display på 2x16 tecken som visar systemparametrar.

4.1.2 BMS-Can-anslutningar

BMS-Can-anslutningen gör det möjligt att koppla kompatibla CAN-bus-BSM-batterier på 500 kbps. VE-Can-produkter som t.ex. Victron MPPT-solcellsladdare eller en Lynx Shunt VE.Can stöds inte.

4.1.3 Ethernet och Wifi

Ethernet- och Wifi-anslutningar gör det möjligt för lokal- och fjärrövervakning av systemet och anslutning till Victrons kostnadsfria VRM-portal för systemprestandainformation över lång tid.

4.1.4 Automatisk och avbrottsfri omkoppling

I händelse av ett strömavbrott eller när generatoren stängs av, kommer produkten att växla över till växeldrift och ta över försörjningen till anslutna enheter. Detta görs så snabbt att driften av datorer och andra elektroniska enheter inte störs (avbrottsfri strömförsörjning eller UPS-funktion). Detta gör att produkten passar utmärkt som nödströmssystem inom industri eller telekommunikation.

4.1.5 Två AC-utgångar

Förutom den normala avbrottsfria utgången(AC-out-1), finns en hjälputgång (AC-out-2)tillgänglig som kopplar bort sin belastning i händelse av batteridrift. Exempel: en elektrisk varmvattenberedare som endast får fungera om generatoren är i drift eller om landström finns tillgängligt. Det finns flera tillämpningar för AC-out-2

4.1.6 Trefaskapacitet

Enheten kan kopplas ihop med andra och konfigureras för trefasutgång. Upp till 6 set om tre enheter kan parallellkopplas för att tillhandahålla 45 kW/ 54kVA växelriktareffekt och mer än 600 A laddningskapacitet.

4.1.7 PowerControl – maximal användning av begränsad växelström

Produkten kan tillhandahålla en enorm laddningsström. Detta innebär tung belastning för AC-anslutningen eller generatoren. Därför kan en maxström ställas in. Produkten tar sedan med andra strömanvändare i beräkningen och använder endast "överskotts"-ström i laddningssyfte.

4.1.8 PowerAssist – Längre användning av din generator- och landström

Denna funktion tar principen för PowerControl till en ny dimension och gör det möjligt för produkten att stödja kapaciteten för den alternativa källan. Eftersom topeffekt ofta endast krävs under en begränsad period, kommer produkten att säkerställa att otillräcklig AC-land- eller generatorström omedelbart kompenseras med ström från batteriet. När belastningen minskar, används överskottsströmmen för att ladda upp batteriet.

4.1.9 Programmerbar

Alla inställningar kan ändras med en dator och gratis mjukvara, som går att ladda ner från vår hemsida, www.victronenergy.com. Se manualen för mer information - <https://docs.victronenergy.com/veconfigure.html>

4.1.10 Programmerbart relä

Produkten är utrustad med ett programmerbara reläer. Teläet kan programmeras för flera användningsområden, till exempel som ett [startrelä till en generator](#).

4.1.11 Extern strömtransformator (tillval)

Extern strömtransformator som tillval för att implementera PowerControl och PowerAssist med extern strömssensor.

4.1.12 Programmerbara analoga/digitala ingång/utgångsportar (Aux in 1 och Aux in 2, se bilaga)

Produkten är utrustad med två analoga/digitala ingångs-/utgångsportar.

Dessa portar kan användas till många olika ändamål. Ett användningsområde är för kommunikation med ett BMS-system på ett litiumjonbatteri.

4.2 Funktioner för nätanslutna och icke-nätanslutna system kombinerade med solceller

4.2.1 Extern strömtransformator (tillval)

När enheten används i en nätparallell topologi kan den interna strömtransformatorn inte mäta strömmen till eller från nätet. I detta fall måste en extern strömtransformator användas. Se bilaga A. Kontakta din Victron-återförsäljare för mer information om den här sortens installation.

4.2.2 Frekvensbyte

När solcellsomvandlare är kopplade till utgångsporten på produkten används överskottsenergin för att ladda batterierna. När absorptionsspänningen uppnås kommer laddningsströmmen att minska och överskottsenergin återförs till nätet. Om nätet inte är tillgängligt kommer produkten att öka AC-frekvensen något för att minska utgången på solcellsväxlaren.

4.2.3 Inbyggd batteriövervakare

Det är en perfekt lösning om din produkten är del av ett hybridsystem (t.ex. en dieselgenerator, växelriktare/laddare, förvaringsbatteri och alternativa energikällor). Den inbyggda batteriövervakaren kan ställas in för att starta eller stänga av generatoren:

- Starta vid en förinställd % urladdningsnivå, och/eller
- starta (med en förinställd fördröjning) vid en förinställd batterispänning, och/eller
- starta (med en förinställd fördröjning) vid en förinställd belastningsnivå.
- Stängas av vid en förinställd batterispänning, eller
- stängas av (med en förinställd fördröjning) efter att bulk-laddningsfasen har avslutats, och/eller
- stängas av (med en förinställd fördröjning) vid en förinställd belastningsnivå.

4.2.4 Självständig drift när ledningsnätet felar

Hus eller byggnader med solpaneler eller kombinerad mikrouppvärmning och kraftverk eller andra förnybara energikällor har en potentiellt självständig energiförsörjning som kan användas för att försörja oumbärlig utrustning (centralvärmepumpar, kylskåp, frysar, internetanslutningar m.m.) under ett strömavbrott. Ett problem är dock att nätanslutna förnybara energikällor slås ut så snart som ledningsnätet felar. Med produkten och batteriet kan detta problem lösas: **Produkten kan ersätta nätet vid strömavbrott.** När de förnybara energikällorna producerar mer ström än vad som behövs kommer produkten att använda överskottet för att ladda batterierna; i händelse av ett avbrott, kommer produkten att tillhandahålla extra ström från batteriet.

4.3 Batteriladdare

4.3.1 Blybatterier

Adaptiv 4-steps laddningsalgoritm: Test - bulk- absorption - float - förvaring

Det mikroprocessorstyrda anpassningsbara batterihanteringssystemet kan justeras för olika typer av batterier. Anpassningsfunktionen anpassar automatiskt laddningsprocessen till batterianvändningen.

Rätt mängd laddning: Variabel absorptionstid

I händelse av lätt batteriurladdning hålls absorptionen kort för att förhindra överladdning och för hög gasbildning. Efter djup urladdning förlängs absorptionstiden automatiskt för att ladda upp batteriet fullständigt.

Förhindra skador på grund av för hög gasning: BatterySafe-läge

Om en hög laddningsström i kombination med en hög absorptionsspänning har valts för att snabbt ladda upp ett batteri, kommer enheten att förhindra skador orsakade av för hög gasutveckling genom att automatiskt begränsa hastigheten för spänningsökning så snart som gasspänningen har uppnåtts.

Mindre underhåll och åldrande när batteriet inte används: Förvaringsläge

Förvaringsläget aktiveras alltid när batteriet inte har utsatts för urladdning under 24 timmar. I förvaringsläget reduceras floatspänningen till 2,2 V/cell (13,2 V för 12 V-batterier) för att minimera gasning och korrosion av de positiva elektrodplattorna. En gång i veckan höjs spänningen tillbaka till absorptionsnivån för att "utjämna" batteriet. Denna funktion förhindrar avlagringar av elektrolyt och sulfatering, en av huvudorsakerna för alltför tidiga batterifel.

Batterispännings-sensor: korrekt laddningsspänning

Spänningsförlust på grund av kabelmotstånd kan kompenseras genom att använda spännings-sensorn för att mäta spänningen direkt på DC-bussen eller på batteriterminalerna.

Batterispännings- och temperaturkompensation

Temperatursensorn (som följder produkten) har som uppgift att reducera laddningsspänningen när batteritemperaturen stiger. Detta är särskilt viktigt för underhållsfria batterier som annars kan torka ut på grund av överladdning.

4.3.2 Litiumjonbatterier

Victron LiFePO4 smartbatterier

Använd VE.Bus BMS

4.3.3 Andra litiumjonbatterier

Vi hänvisar till <http://www.victronenergy.nl/support-and-downloads/software/>

4.3.4 Mer om batterier och laddning

Vår bok "Fristående elkraft" erbjuder ytterligare information om batterier och batteriladdning och är tillgänglig gratis från Victron Energy (se www.victronenergy.com). www.victronenergy.com/support-and-downloads/whitepapers

För ytterligare information angående anpassningsbar laddning, var vänlig se avsnittet med allmän teknisk information på vår hemsida.

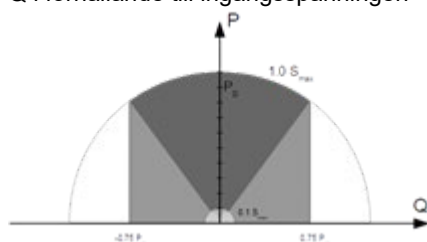
4.4 ESS – Energy Storage Systems: mata effekt tillbaka in i nätet

När produkten används i en konfiguration där den kommer att mata effekt tillbaka in i nätet krävs det att den nätkod som gäller för det aktuella landet aktiveras med hjälp av VEConfigure-verktyget.

När inställningen är gjord kommer ett lösenord att krävas för att inaktivera nätkodsöverensstämmelsen eller för att ändra nätkodsrelaterade parametrar. Kontakta din Victron-återförsäljare om du behöver ett sådant lösenord.

Beroende på nätkoden finns det flera lägen för reaktiv effektkontroll:

- Fast $\cos \varphi$
- $\cos \varphi$ i förhållande till P
- Fast Q
- Q i förhållande till ingångsspänningen



Reaktiv effektkapacitet

Om den lokala nätkoden inte stöds av produkten ska en extern certifierad gränssnittsenhet användas för att ansluta produkten till nätet.

Produkten kan även användas som en dubbelriktad växelriktare som arbetar parallellt med nätet som en integrerad del i ett kundanpassat system (PLC eller annat) som sköter kretskontroll och nätmätning.

Särskilda anvisningar avseende NRS-097 (Sydafrika)

1. Högsta tillåtna impedans för nätverket är $0.28\Omega + j0.18\Omega$.
2. Om det handlar om flera enfaseheter uppfyller växelriktaren endast osymmetrikravet om ColorControl GX är en del av installationen.

Särskild anvisning avseende AS 4777.2 (Australien/ Nya Zeeland)

1. Certifiering och CEC-godkännande för användning utan anslutning till nätet inbegriper INTE godkännande för nät-interaktiva installationer. Ytterligare certifiering till IEC 62109.2 och AS 4777.2.2015 krävs innan nät-interaktiva system kan upprättas. Vi hänvisar till Clean Energy Councils webbsida för de senaste godkännandena.
2. DRM - Demand Response Mode när nätkoden AS4777.2 har valts i VEConfigure, DRM 0-funktionen finns tillgänglig på port AUX1 (se bilaga A). För att tillåta nätanslutning, måste det finnas en resistans på mellan $5k\Omega$ och $16k\Omega$ mellan terminalerna på port AUX1 (markerad med + och -). Produkten kopplas bort från nätet om det uppstår en öppen krets eller kortslutning mellan terminalerna på port AUX1. Den högsta spänningen som får finnas mellan terminalerna på port AUX1 är 5 V. Om DRM 0 inte krävs kan denna funktion avaktiveras med VEConfigure.

5. Drift

På/ Av/ Endast laddare- brytare

Nyckelströmbrytaren sitter längst ner till höger på produktens undersida.

Nyckelströmbrytaren har tre lägen: Det centrala läget 0 är Av. Läget I är På och läget II är Endast laddare.

När den är inställd på "I/PÅ" (mot enhetens främre del) kommer produkten att sättas i drift och växelriktaren är då fullt funktionell.

Om en AC-spänning ansluts till "AC in"-terminalen kommer den att växelriktas genom "AC out"-terminalen, om den befinner sig inom specifikationerna. Växelriktaren kommer att stängas av och laddaren börjar ladda. "Bulk", "absorption" eller "float" kommer att visas, beroende på laddningsläget.

Om spänningen vid "AC-in"-terminalen inte accepteras kommer växelriktaren att slås på.

När brytaren är inställd på "II/ Endast laddare", kommer endast Multis batteriladdare att fungera (om nätspänning finns). I detta läge växlas ingångsspänningen även genom "AC out"-terminalen.

OBS: Se till att brytaren är inställd på "II/ Endast laddare" när endast laddningsfunktionen behövs. Detta förhindrar växelriktaren från att slås på om nätspänningen förloras, vilket förhindrar att dina batterier töms helt.

6. GX LCD-gränssnitt

Displayskärmen visar användbar information om ditt system.

6.1 Av/På-beteende

När produkten är avstängd med den fysiska brytaren på enheten eller med fjärrstyrningsterminalerna kommer även GX-kortet att vara avstängt. Om du stänger av produkten via distans med en Digital Multi Control, kommer GX-kortet att fortsätta vara strömförsöjt. Även om du stänger av växelriktaren/laddaren inne i GX-menyerna kommer GX-kortet att fortsätta vara strömförsöjt.

Slutligen, om växelriktaren/laddaren stänger av sig själv på grund av ett larm, som t.ex. lågt batteri eller övertemperatur, kommer GX-kortet fortsätta att vara strömförsöjt och funktionell.

6.2 Tryckknapp-beteende

Genom att trycka på knappen bredvid skärmen när GX-kortet är på kommer bakgrundsbelysningen att tändas.

Bakgrundsbelysningen stänger av sig själv efter 5 minuter.

När bakgrundsbelysningen har aktiverats kan man bläddra genom de olika display-valen genom att trycka på knappen igen. Vissa val kommer att visas automatiskt, andra kräver att man trycker på knappen för att de ska visas.

6.3 Information som visas

- Solcellsenergi, spänning och laddningsstatus (om ansluten)
- ESS/DVCC-anledningskoder (om aktiva)
- Daglig solcellsproduktion
- Laddningsstatus för växelriktare/laddare (t.ex. Bult, ESS)
- Batteriets laddningsstatus, effekt och spänning
- Nätverks-IP-adress och anslutningstyp (om ansluten).
- AC-ingångs- och utgångseffekt

I ett system med mer än en fas kommer det att finnas ytterligare AC-ingångs- och utgångsinformation tillgänglig, t.ex.

- Fas 1 Ac-ingångsspänning och effekt.
- Fas 1 AC-utgångsspänning och effekt.
- Fas 2 Ac-ingångsspänning och effekt.
- Fas 2 AC-utgångsspänning och effekt.
- Fas 3 Ac-ingångsspänning och effekt.
- Fas 3 AC-utgångsspänning och effekt.

6.4 Felkodsvisning

Om det uppstår något fel med systemet kommer felkoden att visas på skärmen. Skärmen kommer att visa VE-Bus-felkodnummer och MPPT-felkoder (om ansluten).

Grundläggande information om VE.Bus-felkoder finns i avsnittet om felmeddelanden.

För mer information om felkoder gå till:

[VE.Bus Error Codes](#)

[MPPT Error Codes](#)

Felet kommer att visas tills det är åtgärdat.

7. Anslutning av solcellspanel

7.1 Storlek på panelen

Vi rekommenderar att man använder [MPPT storleksberäknare som finns på vår hemsida](#).

- Solcellsladdningsregulatorn fungerar endast om solcellsspänningen överskrider batterispänningen (V_{bat}).
- Solcellsspänningen måste överskrida $V_{bat} + 5\text{ V}$ för att regulatorn ska starta. Därefter är lägsta solcellsspänning $V_{bat} + 1\text{ V}$
- Maximal solcellstomgångsspänning är 250 V.
- Maximal solcellskortslutningsström är 335 A.

Till exempel:

- Minimum antal celler i serie: 144 (4x 12V eller 2x 24V panel seriekopplad).
- Maximalt: 360 celler (6x 12 V eller 3x 24 V-panel seriekopplad).

Anmärkning: Vid låg temperatur kan tomgångsspänningen i en 360 cellers panel överskrida 250 V beroende på lokala förhållanden och cellspecifikationer. Då måste antalet celler i serien reduceras.

MPPT-komponenten i EasySolar-II GX är förprogrammerad till 48 V för att möta kraven på växelriktaren/laddaren som ingår.

7.2 Anslutning

1. Anslut batteriet,
2. Anslut solcellspanelen till M6-solcellsbultar. Obs: när den är ansluten med omvänd polaritet blir regulatorn varm men laddar inte batteriet.

Observera att säkringen på 100 A inte kan bytas ut av slutanvändaren. Om den går måste den skickas tillbaka till en serviceagent för reparation. Säkringen går endast efter att andra komponenter i enheter har gått sönder.



8. Installation

Den här produkten innehåller potentiellt farlig spänning. Den bör installeras under översikt av en lämplig kvalificerad installatör med rätt utbildning och lokala föreskrifter ska följas. Kontakta Victron Energy för mer information eller nödvändig utbildning.

8.1 Placering

Produkten måste installeras på en torr och välventilerad plats, så nära batterierna som möjligt. Det måste finnas ett fritt utrymme på minst 10 cm runt om produkten för att säkerställa tillräcklig kylning.

WARNING: För hög omgivningstemperatur kommer att leda till följande:

- Reducerad livslängd
- Reducerad laddningsström.
- Reducerad toppkapacitet, eller nedstängning av växelriktaren. Placera aldrig apparaten direkt ovanför batterierna.

Produkten passar för väggmontering. För monterings syften tillhandahålls en krok och två hål på baksidan av höljet (se appendix G). Enheten kan monteras antingen horisontellt eller vertikalt. För optimal kylning är vertikal montering att föredra.

WARNING: Produktens insida måste förbli åtkomlig efter installationen.

Försök att hålla avståndet mellan produkten och batteriet till ett minimum för att minimera kabelspänningsförluster. Av säkerhetsskäl bör denna produkt installeras i en värmeresistent miljö. Du bör förhindra närvaron av exempelvis kemikalier, syntetiska komponenter, gardiner eller andra textilier m.m. i den omedelbara närheten.

8.2 Anslutning av batterikablar

För att utnyttja produktens fulla kapacitet bör batterier med tillräcklig kapacitet och batterikablar med tillräckligt tvärsnitt användas. Se tabell.

	48/3000/35
Rekommenderad batterikapacitet (Ah)	100-400
Rekommenderad DC-säkring	125 A
Rekommenderat tvärsnitt (mm ²) per + och - anslutningspol	
0 – 5 m	35 mm ²
5 – 10 m	70 mm ²

Anmärkning: Internt motstånd är den viktiga faktorn när man arbetar med batterier med låg kapacitet. Var vänlig rådfråga din leverantör eller relevanta avsnitt i vår bok "Fristående elkraft" som går att ladda ner från vår hemsida.

8.3 Batterianslutningsförfarande

Gör följande för att ansluta batterikablarna:

WARNING: Använd en isolerad hylsnyckel för att undvika kortslutning av batteriet.

Maximalt vridmoment: 14 Nm Undvik att kortsluta batterikablarna.

WARNING: Var särskilt försiktig och uppmärksam vid anslutningen av batterierna. Innan anslutning måste den korrekta polariteten fastställas med en multimeter. Om ett batteri med fel polaritet ansluts kommer enheten att förstöras och det täcks inte av garantin.

- Skruva loss de två skruvarna längst ner på höljet och avlägsna servicepanelen.
- Anslut batterikablarna. Först -kabeln och sen +. Tänk på att det kan uppstå en gnista när du ansluter batterierna.
- Skruva åt muttrarna till föreskrivet vridmoment för minimalt kontaktmotstånd.



8.4 Anslutning av AC-kablarna

VARNING

Detta är en produkt av säkerhetsklass I (levereras med en jordterminal av säkerhetsskäl). **Dess AC-ingång och/eller utgångspoler och/eller jordningspunkt på insidan av produkten måste förses med en permanent jordningspunkt av säkerhetsskäl.** Se bilaga A.

För en fast installation kan en oavbruten jordning säkras med hjälp av AC-ingångens jordkabel. Annars måste höljet jordas.

Den här produkten är utrustad med ett jordrelä (relä H, se bilaga B) som **automatiskt ansluter den neutrala utgången till chassit om ingen extern AC-källa är tillgänglig.** Om en extern AC-källa är tillgänglig kommer jordrelä H att öppnas innan ingångssäkerhetsreläet stängs. Detta säkerställer korrekt funktion för en jordläckagebrytare som är ansluten till utgången.

För en rörlig installation (till exempel med en landströmkontakt), innebär bortkoppling av landanslutningen att även jordanslutningen kopplas bort samtidigt. I detta fall måste höljet anslutas till chassit (på fordonet) eller till skrovet eller jordningsplattan (för båten). När det gäller en båt rekommenderas inte direkt anslutning till landjordning på grund av möjlig galvanisk korrosion. Lösningen för detta är att använda en isoleringstransformator. **Vridmoment: 2 Nm**

Terminalblocken återfinns på det tryckta kretskortet, se Appendix A.

Växla inte neutral och fas när du ansluter AC.

Växelriktaren innehåller en isolationstransformator för nätfrekvens. Detta utesluter möjligheten till DC-ström på någon AC-port. Därför kan en jordfelsbrytare av typ A användas.

- **AC-in** AC-ingångskabeln kan anslutas till terminalblock "AC-in". Från vänster till höger: "N" (neutral), "PE" (jord) och "L" (fas) **AC-ingången måste skyddas av en säkring eller magnetisk brytare på 32 A eller mindre och kabelns tvärsnitt måste vara av lämplig storlek.** Om den inkommande AC-tillförseln har ett lägre värde, bör säkringen eller den magnetiska brytaren ändras i enlighet med detta.
- **AC-out-1** AC-utgångskabeln kan anslutas direkt till terminalblock "AC-out". Från vänster till höger: "N" (neutral), "PE" (jord) och "L" (fas) Med PowerAssist-funktionen kan Multi lägga till upp till 3 kVA (dvs. $3000 / 230 = 13$ A) till uteffekten under perioder med höga strömkrav. Tillsammans med en maximal ingångsström på 32 A betyder detta att utgången kan förse upp till $32 + 13 = 45$ A. En jordläckagebrytare och en säkring eller brytare med kapacitet att hantera förväntad belastning måste inkluderas tillsammans med utgången och kabelns tvärsnitt måste vara av lämplig storlek.
- **AC-out-2** En andra utgång är tillgänglig som kopplar bort sin belastning i händelse av batteridrift. På dessa terminaler, ansluts utrustning som endast kan fungera om AC-spänning är tillgänglig på AC-in-1, t.ex. en elektrisk varmvattenberedare eller luftkonditioneringsapparat. Belastningen för AC-out-2 kopplas bort omedelbart när växelriktare/laddaren växlar över till batteridrift. Efter att AC-ström blir tillgänglig på AC-in-1, kommer belastningen på AC-out-2 att återanslutas med en försening på cirka 2 minuter. Detta är för att tillåta generatormotorn att stabiliseras.

8.5 Extra anslutningar

Ett antal extra anslutningar är möjliga:

8.5.1 Fjärrkontroll

Produkten kan fjärrstyras på två sätt:

- Med en extern switch (anslutning till terminal M, se bilaga A). Fungerar endast om brytaren på enheten är inställd till "på".
- Med en Digital MultiControl-panel (ansluten till en av de två RJ45-uttag L, se bilaga A). Fungerar endast om brytaren på enheten är inställd till "på".

Digital MultiControl-panelen har en vridknapp där den maximala strömmen för AC-inmatning kan ställas in: hänvisning till PowerControl och PowerAssist

8.5.2 Programmerbart relä

Produkten är utrustad med ett programmerbara reläer.

Reläet kan programmeras för alla möjliga andra användningsområden, till exempel som ett startrelä till en generator.

8.5.3 Programmerbara analoga/digitala ingångs- och utgångsportar

Produkten är utrustad med två analoga/digitala ingångs-/utgångsportar.

Dessa portar kan användas till många olika ändamål. Ett användningsområde är för kommunikation med ett BMS-system på ett litiumjonbatteri.

8.5.4 Spänningskontroll (anslutning terminal J, se bilaga A)

För att kompensera möjliga kabelförluster under laddning kan två kontrollkablar anslutas med vilka spänningen kan mätas direkt från batteriet eller från de positiva eller negativa distributionspunkterna. Använd kabel med ett tvärsnitt på 0,75mm².

Under batteriladdning, kommer växelriktaren/laddaren att kompensera spänningsfall via DC-kablar på upp till max 1 volt (dvs. 1 V via den positiva anslutningen och 1 V via den negativa anslutningen). Om spänningsfallet riskerar att bli större än 1 V begränsas laddningsströmmen på ett sådant sätt att spänningsfallet förblir begränsat till 1 V.

8.5.5 Temperatursensor (anslutning terminal J, se bilaga A)

För temperaturkompenserad laddning, kan temperatursensorn (levereras tillsammans med växelriktaren/laddaren) anslutas. Sensorn är isolerad och måste anslutas till batteriets negativa pol.

8.5.6 Parallellanslutning

Man måste använda identiska enheter för trefas- och parallellsystem. I det här fallet, eftersom endast en GX-enhet tillåts per system, om du vill parallell- eller trefaskoppla med den här produkten måste du hitta samma modell MultiPlus-II för ihopparring.

För att få hjälp med att hitta identiska enheter, fundera istället på om du kan använda MultiPlus-II för parallell- och trefassystem och en extern GX-enhet.

Upp till sex enheter kan kopplas in parallellt. Följande villkor måste uppfyllas om du ska koppla den här produkten med MultiPlus-II i ett parallellsystem:

VARNING

- Det är väsentligt att den negativa batteripolen mellan enheterna alltid är ansluten. Det är inte tillåtet att använda en krets brytare på den negativa.
- Alla enheter måste anslutas till samma batteri.
- Max sex enheter kan parallellanslutas.
- Enheterna måste vara identiska (förutom GX-delen) och ha samma fasta programvara.
- DC-anslutningskablar till enheterna måste ha samma längd och tvärsnitt.
- Om en positiv och en negativ DC-distributionspunkt används måste tvärsnittet för anslutningen mellan batterierna och DC-distributionspunkten vara minst lika med summan av det tvärsnitt som krävs för anslutningarna mellan distributionspunkten och enheterna.
- Sammanlänka alltid de negativa batterikablarna innan du placerar UTP-kablarna.
- Placera enheterna nära varandra, men tillåt minst 10cm i ventilationssyfte under, ovanför och vid sidan om enheterna.
- UTP-kablar måste anslutas direkt från en enhet till en annan (och till fjärrpanelen). Anslutnings-/delningsboxar är inte tillåtna.
- Endast en fjärrkontrollsenhet (panel eller switch) kan anslutas till **systemet**. Det betyder endast en GX.

8.5.7 Trefasdrift

Produkten kan även användas i trefasconfiguration i y-koppling. För att uppnå detta upprättas en anslutning mellan enheterna med hjälp av en standardkabel av RJ45 UTP-typ (samma som för paralleldrif). **Systemet**kräver efterföljande konfiguration.

Förutsättningar: Se avsnittet om spänningssensor

1. Obs: Produkten är inte lämpad för trefasconfiguration i deltakoppling (Δ).
2. När nätkoden AS4777.2 har valts i VEConfigure får endast två enheter parallellkopplas per fas i ett trefassystem.

För komplett information om parallell- och trefasconfiguration bör du alltid prata med din Victron-återförsäljare först och läsa i den här specifika

handboken: https://www.victronenergy.com/live/ve.bus:manual_parallel_and_three_phase_systems

8.5.8 Anslutning till VRM-portal

För att kunna ansluta produkten till VRM krävs en internetanslutning. Det ska ske med wifi, eller att föredra, med en fast kopplad Ethernetkabel till en internetansluten router.

Plats-id för VRM hittar du på ett klistermärke i kabelanslutningsområdet på enheten.

För mer information om hur man ställer in VRM, gå till [VRM Getting Started Manua](#)

9. Konfiguration

Detta avsnitt är huvudsakligen avsett för fristående enheter

För nätanslutna energilagringssystem (ESS), vänligen se <https://www.victronenergy.com/live/ess:start>

- Inställningarna kan endast ändras av en lämplig installerare med rätt utbildning och lokala föreskrifter ska följas. Kontakta Victron för ytterligare information eller nödvändig utbildning.
- Läs instruktionerna noggrant innan du genomför förändringar.
- Under inställning av laddaren måste AC-ingången avlägsnas.

9.1 Standardinställningar: Färdig att använda

Vid leverans är produkten inställd på standardfabriksvärden. I allmänhet passar dessa inställningar för användning av en enskild enhet.

VARNING

Det kan hända att standardladdningsspänningen för batterier inte passar för dina batterier! Se tillverkarens dokumentation eller rådfråga din batteritillverkare!

Standardfabriksinställningar

Inställning	Värde
Växelriktarens frekvens	50 Hz
Frekvensintervall, ingång	45 – 65 Hz
Spänningsintervall, ingång	180 – 265 VAC
Spänning, växelriktare	230 VAC
Fristående/ parallell/ 3-fas	Fristående
AES (Automatic Economy Switch)	off
Jordrelä	on
Laddare på/ av	on
Batteriladdningskurva	anpassningsbar i 4 steg med BatterySafe-läge
Laddningsström	100% av maximal laddningsström
Batterityp	Victron Gel Deep Discharge (passar även för Victron AGM Deep Discharge)
Automatisk utjämningsladdning	off
Absorptions-spänning	57,6 V
Absorptionstid	upp till 8 timmar (beroende på bulkstid)
Floatspänning	55,2V
Lagringsspänning	52,8V (ej justerbar)
Upprepad absorptionstid	1 timme
Absorption, repetitionsintervall	7 dagar
Bulkskydd	on
AC-ingång, strömbegränsning	32A (= justerbar strömbegränsning för funktionerna PowerControl och PowerAssist)
UPS-funktion	on
Dynamisk strömbegränsare	off
WeakAC	off
BoostFactor	2
Programmerbart relä	larmfunktion
PowerAssist	on

9.2 Förklaring av inställningar

Inställningar som inte är självförklarande beskrivs kortfattat nedan. För ytterligare information hänvisas till hjälpfilerna i programvarukonfigurationen

Växelriktarens frekvens

Utgångsfrekvens om ingen AC finns vid ingången.

Justerbarhet: 50 Hz; 60 Hz

Frekvensintervall, ingång

Accepterad ingångsfrekvensintervall Produkten synkroniseras inom detta intervall med AC-ingångsfrekvensen.

Utgångsfrekvensen är då lika med ingångsfrekvensen.

Justerbarhet: 45 – 65 Hz; 45 – 55 Hz; 55 – 65 Hz

Spänningsintervall, ingång

Accepterad spänningsintervall Produkten synkroniseras inom detta intervall med AC-ingången. Utgångsspänningen är då lika med ingångsspänningen.

Justerbarhet:

Lägre gräns: 180 – 230 V

Högre gräns: 230 – 270 V

Obs: den lägre standardbegränsningsinställningen på 180 V är avsedd för anslutning till en svag nätförsörjning, eller en generator med instabil AC-utgång. Denna inställning kan resultera i en nedstängning av systemet när den är ansluten till en borstfri, självvalstrande, extern spänningsreglerad, synkron AC-generator (synkron AVR-generator). De flesta generatorer med kapaciteten 10 kVa eller mer är synkrona AVR-generatorer. Nedstängningen inleds när generatorm stoppas och saktar ner medan AVR samtidigt "försöker" bibehålla utmatningsspänningen för generatorm vid 230 V. Lösningen är att öka den lägre begränsningsinställningen till 210 VAC (utmatningen för AVR-generatorer är i allmänhet väldigt stabil), eller att koppla bort produkten från generatorm när en stoppsignal för generatorm ges (med hjälp av ett AC-kontaktodon som är installerat i serie med generatorm).

Spänning, växelriktare

Utgångsspänning under batteridrift.

Justerbarhet: 210 – 245 V

Fristående/ parallell drift/ 2-3 fasinställning

Vid användning av flera enheter är det möjligt att:

- öka den totala växelriktareffekten (flera enheter parallellkopplade)
- skapa ett delat fassystem med en separat autotransformator: se datablad och bruksanvisning för VE-autotransformator
- skapa ett trefassystem.

Standardinställningarna för produkten är för en enhet i fristående drift.

AES (Automatic Economy Switch)

Om denna inställning är aktiverad minskar strömförbrukningen under drift utan belastning och med låg belastning med ungefär 20 %, genom att "smalna av" sinusspänningen något. Går endast att använda i fristående konfiguration.

Sökläge

Istället för AES-läge, kan **sökläge** även väljas. Om sökläget är aktiverat minskas strömförbrukningen under belastningsfri drift med ungefär 70 %. I detta läge stängs produkten av när den arbetar i växelriktarläge, i händelse av ingen belastning eller väldigt låg belastning och sätts igång varannan sekund under en kort period. Om utgångsströmmen överskrider en inställd nivå kommer växelriktaren att fortsätta att fungera. Om inte, kommer växelriktaren att stängas av igen. Söklägets belastningsnivåer "stäng av" och "förbli påslagen" kan ställas in med VEConfigure.

Standardinställningen är:

Åtgärd	Gräns
Avstängning	40 Watt (linjär belastning)
Påslagning	100 Watt (linjär belastning)

Jordrelä (se bilaga B)

Med detta relä jordas den neutrala ledaren för AC-utgången till chassit när säkerhetsreläerna för tillbakaflöde är öppna. Detta säkerställer korrekt funktion av jordläckagebrytarna på utgången. Om det behövs kan ett externt jordrelä anslutas (för ett delat fassystem med en separat autotransformator). Se bilaga A.

Batteriladdningsalgoritm

Standardinställningen är "anpassningsbar i fyra steg med BatterySafe-läge".

Detta är den rekommenderade laddningsalgoritmen för blybatterier Se hjälpfilerna i programvarans konfigureringsprogram för andra funktioner.

Batterityp

Standardinställningen passar bäst för Victron Gel Deep Discharge, Gel Exide A200 och stationära rörplattbatterier (OPzS). Denna inställning kan också användas för många andra batterier t.ex. Victron AGM Deep Discharge och andra AGM-batterier och många typer av batterier av flat-plate typ.

Med VEConfigure kan laddningsalgoritmen justeras till att ladda alla batterityper (nickelkadmium batterier, litiumjonbatterier)

Absorptionstid

I standardinställningen "anpassningsbar i fyra steg med BatterySafe läge" beror absorptionstiden på bulktiden (anpassningsbar laddningskurva), så att batteriet laddas på bästa sätt.

9.2.1 Utjämning

Traktionära batterier kräver regelbunden extraladdning. I utjämningsläget kommer produkten att ladda med ökad spänning under en timme (4 V för ett 48 V-batteri). Laddningsströmmen begränsas därefter till ¼ av det inställda värdet.

Utjämningsläget tillhandahåller en högre laddningsspänning än vad de flesta likströmsapparater kan hantera. Dessa apparater måste kopplas bort innan extra laddning genomförs.

Automatisk utjämningsladdning

Denna inställningen är avsedd för vätskefyllda tubular plate fordons- eller OPzS-batterier. Under absorption ökar spänningsbegränsningen till 2,83 V/cell (68V för ett 48V-batteri) så snart som laddningsströmmen har minskat till mindre än 10% av den inställda maxströmmen.

Se "laddningskurva för fordonsbatteri av rörplattety" i VEConfigure.

Förvaringsspänning, upprepad absorptionstid, repetitionsintervall för absorption

se Bilaga E.

Bulkskydd

När denna inställning är "på" begränsas bulk-laddningstiden till 10 timmar. En längre laddningstid skulle kunna indikera ett systemfel (t.ex. en kortsluten battericell).

AC-ingång, strömbegränsning

Dessa är strömbegränsningsinställningarna för vilka PowerControl och PowerAssist träder i drift.

PowerAssist inställningsintervall: från 5,3A till 32A.

Fabriksinställning: maxvärde (32A).

UPS-funktion

Om denna inställning är "på" och AC för ingången felar, växlar produkten till växelriktardrift, mer eller mindre utan avbrott.

Utgångsspänningen för vissa mindre generatorer är för instabil och har för mycket distorsion för att använda denna inställning – produkten skulle växla över till växelriktardrift. Av denna anledning kan inställningen stängas av. Produkten kommer då att svara långsammare på avvikelser för AC-ingångsspänningen. Växlingstiden för växelriktardrift är som ett resultat något längre, men de flesta typer av utrustning (de flesta datorer, klockor eller hushållsutrustning) påverkar inte negativt.

Rekommendation: Stäng av UPS-funktionen om din produkten inte lyckas synkronisera, eller hela tiden växlar tillbaka till växelriktardrift.

Dynamisk strömbegränsare

Avsedd för generatorer där AC-spänningen alstras med hjälp av en statisk växelriktare (så kallade "växelriktar"-generatorer). I dessa generatorer minskas varvtalet om belastningen är låg: detta minskar buller, bränsleförbrukning och föroreningar. En nackdel är att utgångsspänningen kommer att falla mycket eller till och med försvinna helt i händelse av en plötslig belastningsökning. Högre belastning kan endast försörjas efter att motorn har ökat hastigheten.

Om denna inställning är "på" kommer enheten att börja tillhandahålla extra ström vid låg generatorutefteknivå och gradvis låta generatormotorn tillhandahålla mer, tills den inställda strömgränsen har uppnåtts. Detta gör det möjligt för generatormotorn att komma ifatt.

Denna inställning används också ofta för "traditionella" generatorer som svarar långsamt på plötsliga belastningsvariationer.

Svag AC

Kraftig distorsion av ingångsspänningen kan leda till att laddaren nästan inte arbetar eller slutar att arbeta helt. Om WeakAC är inställd kommer laddaren även att acceptera spänning med kraftig distorsion, till priset av högre distorsion för ingångsströmmen.

Rekommendation: Slå på WeakAC om laddaren nästan inte laddar eller inte laddar överhuvudtaget (vilket är ganska ovanligt!). Slå även på den dynamiska strömbegränsaren samtidigt och minska den maximala laddningsströmmen för att förhindra överbelastning av generatormotorn om det är nödvändigt.

Obs: när WeakAC är på minskas den maximala laddningsspänningen med ungefär 20 %.

BoostFactor Det här värdet anpassar PowerAssist beteendet. Om du stöter på problem med PowerAssist (t.ex. överbelastning), kontakta med person med utbildning från Victron Energy innan du försöker ändra något.

Programmerbart relä

Enheten är utrustad med flera programmerbara reläer. Reläerna kan programmeras för alla möjliga andra användningsområden, till exempel som ett startrelä till en generator.

Hjälputgång för AC (AC-out-2)

Avsedd för icke-kritiska belastningar som kopplas direkt till utgången för växelström. Med strömmätningsskrets för att möjliggöra PowerAssist.

9.3 Växelriktare/ laddare

För mer information om konfigurationen av växelriktar-/laddarkomponenten i EasySolar-II GX, se [MultiPlus-II manualerna](#). För full programfunktionalitet på växelriktaren/laddaren krävs det att man använder en bärbar dator med [VEConfigure](#). Begränsad konfiguration är möjlig med [VictronConnect](#).

9.4 Laddningsregulator SmartSolar MPPT 250/70

Solcellsladdaren konfigureras med VictronConnect. Den lättaste metoden är att ansluta till solcellsladdardelen via Bluetooth. Detta fungerar med Android, iOS och macOS. Det fungerar inte med Windows.

Om du måste använda Windows, koppla bort VE.Direct-kablen från solcellsladdaren och använd [VE.Direct USB-gränssnittskabel](#) till din bärbara dator med Windows. När det är klart kan du koppla tillbaka Ve.Direct-kabeln som går mellan den interna GX-enheten och solcellsladdaren.

För komplett dokumentation för den MPPT som ingår i EasySolar-II GX, se följande dokument:

- [SmartSolar MPPT 250/70 dokumentation](#)
- [VictronConnect MPPT-solcellsladdare](#)
- [VictronConnect-manual](#)

10. Underhåll

Produkten kräver inget särskilt underhåll. Det räcker att inspektera alla anslutningar en gång per år. Undvik fukt och olja/sot/ångor och håll apparaten ren.

11. Felmeddelanden

Med hjälp av nedanstående procedurer kan de flesta fel identifieras snabbt. Var vänlig rådfråga din Victron Energy-leverantör om ett fel inte kan lösas.

11.1 Allmänna felindikationer

Problem	Orsak	Lösning
Ingen utgångsspänning på AC-out-2.	EasySolar-II GX i växelriktarläge	
Enheten växlar inte över till generator- eller nätverksdrift.	Kretsbrytare eller säkring i AC-ingången är öppen som ett resultat av överbelastning.	Avlägsna överbelastning eller kortslutning på AC-out-1 eller AC-out-2 och återställ säkring/brytare.
Växelriktardrift startar inte när den slås på.	Batterispänningen är alltför hög eller alltför låg. Ingen spänning på DC-anslutningen.	Säkerställ att batterispänningen är inom korrekt intervall.
"Lågt batteri"	Batterispänningen är låg.	Ladda batteriet eller kontrollera batterianslutningarna.
"Lågt batteri" (Frånkoppling)	Omvandlaren stängs av eftersom batterispänningen är för låg.	Ladda batteriet eller kontrollera batterianslutningarna.
"Överbelastning"	Omvandlarbelastningen är högre än den nominella belastningen.	Minska belastningen.
"Överbelastning" (Frånkoppling)	Omvandlaren stängs av på grund av alltför hög belastning.	Minska belastningen.
"Övertemperatur"	Den omgivande temperaturen är hög, eller belastningen är för hög.	Installera omvandlaren i en sval och välventilerad miljö eller reducera belastningen.
"Lågt batteri V Överbelastning" (frånkoppling)	Låg batterispänning och alltför hög belastning.	Ladda batterierna, koppla bort eller reducera belastningen eller installera batterier med högre kapacitet. Anslut kortare och/eller grövre batterikablar.
"Hög DC-brumspänning"	Brumspänningen på DC-anslutningen överstiger 1,5 Vrms.	Kontrollera batterikablarna och batterianslutningarna. Kontrollera huruvida batterikapaciteten är tillräckligt hög och öka kapaciteten vid behov.
"Frånkoppling DC-brumspänning"	Växelriktaren stängs av på grund av alltför hög brumspänning på ingången.	Installera batterier med större kapacitet. Anslut kortare och/eller grövre batterikablar och återställ växelriktaren (stäng av och slå sedan på igen).
Laddaren fungerar inte.	AC-ingångsspänningen eller frekvensen befinner sig inte inom inställt intervall.	Säkerställ att AC-inmatningen är mellan 185 VAC och 265 VAC och att frekvensen befinner sig inom inställt intervall (standardinställning 45-65 Hz).
	Kretsbrytare eller säkring i AC-ingången är öppen som ett resultat av överbelastning.	Avlägsna överbelastning eller kortslutning på AC-out-1 eller AC-out-2 och återställ säkring/brytare.
	Batterisäkring har gått sönder.	Byt ut batterisäkringen.
	Distorsionen eller AC-ingångsspänningen är för hög (vanligen generatorförsörjningen).	Slå på inställningarna WeakAC och dynamisk strömbegränsare.
Laddaren fungerar inte. "Bulkskydd" visas.	EasySolar-II GX är i "bulkskydd"-läge och den maximala bulk-laddningstiden på 10 timmar har överskridits. En så lång laddningstid skulle kunna indikera ett systemfel (t.ex. en kortsluten battericell).	Kontrollera batterierna. OBS: Du kan återställa felläget genom att slå av och på EasySolar-II GX. "Bulkskyddsläget" är som standard påslaget på EasySolar-II GX. "Bulkskyddsläget" kan endast slås av med hjälp av VEConfigure.
Batteriet är inte fulladdat.	Laddningsströmmen alltför hög, vilket orsakar för tidig absorptionsfas.	Ställ in laddningsströmmen till en nivå mellan 0,1 och 0,2 gånger batterikapaciteten.
	Dålig batterianslutning.	Kontrollera batterianslutningarna.
	Absorptionsspänningen har ställts in på felaktig nivå (för låg).	Ställ in absorptionsspänningen till korrekt nivå.
	Float-spänningen har ställts in på felaktig nivå (för låg).	Ställ in float-spänningen till korrekt nivå.
	Den tillgängliga laddningstiden är för kort för att ladda upp batteriet fullständigt.	Välj en längre laddningstid eller högre laddningsström.
	Absorptionstiden är för kort. Vid anpassningsbar laddning kan detta orsakas av en extremt hög laddningsström i relation till batterikapaciteten så att bulktiden är otillräcklig.	Minska laddningsströmmen eller välj den "fasta" laddningsfunktionen.



Batteriet är överladdat.	Absorptionsspänningen har ställts in på felaktig nivå (för hög).	Ställ in absorptionsspänningen till korrekt nivå.
	Float-spänningen har ställts in på felaktig nivå (för hög).	Ställ in float-spänningen till korrekt nivå.
	Batteriet är dåligt.	Byt ut batteriet.
	Batteritemperaturen är för hög (på grund av dålig ventilation, alltför hög omgivande temperatur eller alltför hög laddningsström).	Förbättra ventilationen, installera batterierna i en svalare miljö, reducera laddningsströmmen och anslut temperatursensorn.
Laddningsströmmen faller till 0 så snart som absorptionsfasen inleds.	Defekt batteritemperatursensor	Koppla bort temperatursensoringången för EasySolar-II GX. Om laddningen fungerar korrekt efter ungefär 1 minut bör temperatursensorn bytas ut.
	Batteriet är överhettat (+50°C)	Installera batteriet i en svalare miljö.
		Minska laddningsströmmen
		Kontrollera huruvida en av battericellerna har en intern kortslutning

11.2 VE.Bus - felkoder

Ett VE.Bus-system kan visa flera olika felkoder. Dessa koder visas på den främre GX-displayskärmen.

För att tolka en VE.Bus felkod korrekt bör du titta i dokumentationen för VE.Bus felkoder -

https://www.victronenergy.com/live/ve.bus:ve.bus_error_codes.

Kod	Betydelse	Orsak/lösning:
1	Enheten är avstängd på grund av att en av de andra faserna i systemet har stängts av.	Kontrollera den felande fasen.
3	Inte alla, eller fler än antalet enheter som förväntades, hittades i systemet.	Systemet är inte korrekt konfigurerat. Konfigurera om systemet. Om felet kvarstår, möjligt kabelkommunikationsfel. Kontrollera kablarna och stäng av all utrustning och slå sedan på den igen.
4	Inga andra enheter överhuvudtaget kunde hittas.	Kontrollera kommunikationskablarna.
5	Överspänning på AC-out.	Kontrollera AC-kablarna.
10	Systemtidssynkroniseringsproblem inträffade.	Bör inte inträffa för korrekt installerad utrustning. Kontrollera kommunikationskablarna.
14	Enheten kan inte överföra data.	Kontrollera kommunikationskablarna (det kan finnas en kortslutning).
17	En av enheterna har antagit "master"-status eftersom den ursprungliga mastern felade.	Kontrollera den felande enheten. Kontrollera kommunikationskablarna.
18	Överspänning har inträffat.	Kontrollera AC-kablarna.
22	Denna enhet kan inte fungera som "slav".	Denna enhet är en föråldrad och olämplig enhet. Den bör bytas ut.
24	Systemskydd för överväxling aktiverat.	Bör inte inträffa för korrekt installerad utrustning. Stäng av all utrustning och slå sedan på den igen. Om detta problem inträffar igen, kontrollera installationen. Möjlig lösning: öka den lägre begränsningen för AC-ingångsspänningen till 210 VAC (fabriksinställningen är 180 VAC)
25	Firmware-inkompatibilitet. Firmware för en av de anslutna enheterna är inte tillräckligt uppdaterad för att kunna fungera i anslutning till denna enhet.	1) Stäng av all utrustning. 2) Slå på den enhet som skickar detta felmeddelande. 3) Slå på alla andra enheter, en i taget, tills felmeddelandet inträffar igen. 4) Uppdatera firmware för den senaste enheten som slogs på.
26	Internt fel.	Ska inte inträffa. Stäng av all utrustning och slå sedan på den igen. Kontakta Victron Energy om problemet kvarstår.

12. Tekniska specifikationer

EasySolar-II GX	VÄXELRIKTARE/LADDARE
PowerControl & PowerAssist	ja
Transferbrytare	32A
Maximal AC-ingångsström	32A
Hjälputgång	32 A
VÄXELRIKTARE	
Spänningsintervall, ingång	38 - 66V
Utgång	Utgångsspänning: 230 VAC ± 2 % Frekvens: 50 Hz ± 0,1% (1)
Kont. utgångsström vid 25°C (3)	3000 VA/ 2400 W
Kont. utgångsström vid 40 °C/ 65°C	2200 W/ 1700 W
Maximal skenbar inmatningseffekt	2500 VA
Toppeffekt	5500 W
Maximal verkningsgrad	95 %
Nollbelastningsström	11W
Nollbelastningsström i AES-läge	7 W
Nollbelastningsström i sökläge	2W
LADDARE	
AC-ingång	Spänningsintervall, ingång: 187-265 VAC Ingångsfrekvens: 45 – 65 Hz
Laddningsspänning "absorption"	57,6V
Laddningsspänning "float"	55,2V
Lagringsläge	52,8V
Maximal batteriladdningsström (4)	35A
Batteritemperatursensor	Ja
Programmerbart relä (5)	Ja
Skydd (2)	a - g
Kommunikationsport för VE.Bus	För parallell- och trefasdrift, fjärrövervakning och systemintegrering.
Kommunikationsport för allmänna ändamål	Ja, 2x
SMARTSOLAR MPPT 250/70-Tr	
Modell	SmartSolar MPPT 250/70-Tr
Maximalt utgående ström	70 A
Maximal solcellseffekt	4000 W
Maximal solcellstomgångsspänning	250 V
Maximal verkningsgrad	98 %
Egenkonsumtion	20 mA
Laddningsspänning "absorption" standard	57,6 V
Laddningsspänning "float",	55,2V
Skydd (2)	a-e
ALLMÄNT	
Gränssnitt	BMS-Can-port (VE.Can stöds inte), USB, Ethernet, VE.Direct, Wi-Fi
Fjärrstyrning på/av	Ja
Driftstemp. intervall	-40 till +65 °C (fläktassisterad kylning)
Fuktighet (ej kondenserande)	max 95 %
HÖLJE	
Material & färg	Stål, blå RAL 5012
Skyddsklass	IP21
Batterianslutning	M8-bultar
Solcellsanslutning	M6-bultar
230 VAC-anslutning	Skruvterminaler 13 mm ² (6 AWG)
Vikt	26 kg
Dimensioner (h x b x d)	506 x 275 x 147 mm
STANDARDER	
Säkerhet	EN-IEC 60335-1, EN-IEC 60335-2-29
Emission / Immunitet	EN 55014-1, EN 55014-2 EN-IEC 61000-3-2, EN-IEC 61000-3-3 IEC 61000-6-1, IEC 61000-6-2, IEC 61000-6-3
Skydd mot ö-drift	Se vår webbsida
1) Kan ställas in på 60 Hz 2) Skyddsnyckel: a) utgångskortslutning b) överbelastning c) för hög batterispänning d) för låg batterispänning e) för hög temperatur f) 230 VAC på växelriktarutgången g) ingångsbrumspänning för hög	3) Icke-linjär belastning, toppfaktor 3:1 4) Vid 25 °C omgivning 5) Programmerbart relä som bland annat kan ställas in för allmänt larm, DC-underspänning eller start-/stoppfunktion för genset AC-kapacitet: 230 V/ 4 A DC-kapacitet: 4 A upp till 35 VDC, 1 A upp till 60 VDC

12. TEKNISKA SPECIFIKATIONER - GX-ENHET

GX-enhet	ANVÄNDARGRÄNSSNITT
Display	2x16 tecken
Fjärrkonsol	ja
Buzzer	ja
Kommunikationsportar Victron	
VE.Direct-portar (alltid isolerade)	1
Dedikerad BMS-Can-port (VE.Can stöds inte)	2 RJ45-kontakter i parallell - isolerade
VE.Bus	2 RJ45-kontakter i parallell - isolerade
Produkter - ej från Victron	
Canbus-BMS-batterier	Många batterimärken. Se här för mer information
Fronius solcellsväxelriktare	Se här för mer information
SMA solcellsväxelriktare	Se här för mer information
ABB solcellsväxelriktare	Se här för mer information
SolarEdge solcellsväxelriktare	Se här för mer information
MEDDELANDE	
USB	1 USB värdport - ej isolerad
Ethernet	10/100 RJ45-kontakt
WiFi	inbyggt
Bluetooth Smart	nej
Micro SDcard-springa	nej
Andra CAN-busport	nej
VE.Can port	nej
Inbyggd RS485	nej
IO	
Programmerbart relä (7)	Ej tillämpligt
Resistiva tanknivåingångar	nej
Temperatursensoringångar	nej
Digitala ingångar	nej
PRESTANDA	
CPU	quad core
RAM	512 MB
Max. VE.Direct enheter ⁽¹⁾	25
CPU	quad core
ANNAT	
Nätspänning	Intern strömförsörjning, ingen extern
Montering	Inbyggt
Driftstemperatur	-20 till +50 °C
Batteristödd klocka	ja

1. Introduzione

Il Victron EasySolar-II GX possiede i seguenti elementi:

- Un potente inverter/caricabatterie MultiPlus-II
- Un regolatore di carica solare MPPT SmartSolar
- Un dispositivo GX con un display da 2x16 caratteri

Questi elementi sono pre-cablati e preconfigurati nella stessa unità. Ciò semplifica altamente la maggior parte delle installazioni e fa risparmiare tempo e denaro.

Questo documento spiega come si assemblano tutti i componenti, come installare il prodotto, quali documenti utilizzare per la configurazione ed altri particolari delle sue singole parti.

Questo documento spiega:

- Caratteristiche
- Comportamento
- Specifiche
- Limitazioni
- Istruzioni di installazione
- Passi per la risoluzione dei problemi

Dovete leggerlo per capire come usare il prodotto in modo sicuro e affidabile.

Questo manuale è indicato per:

- EasySolar-II GX 48/3000/35-32

2. Ultimi Documenti

Potete accedere rapidamente all'ultima versione di questo manuale online cliccando sul seguente link:
<https://docs.victronenergy.com/easysolar-ii-gx.html>

3. Istruzioni di sicurezza

Si prega di leggere la documentazione fornita con il presente prodotto in modo da familiarizzarsi con i simboli e le indicazioni di sicurezza, prima di procedere all'uso dello stesso. Il presente prodotto è progettato e testato in conformità alle normative internazionali. Questo prodotto deve essere impiegato esclusivamente per l'utilizzo previsto.

AVVERTENZA: PERICOLO DI SCOSSA ELETTRICA

L'utilizzo del presente prodotto prevede la presenza di una fonte di energia permanente (batteria). Nonostante il prodotto sia disattivato, sussiste il pericolo di tensioni elettriche in corrispondenza dei morsetti di entrata e/o uscita. Prima di eseguire gli interventi di manutenzione staccare sempre la corrente alternata e scollegare la batteria.

Il prodotto non contiene componenti interni riparabili dall'utente. Non rimuovere il pannello anteriore e non attivare il prodotto se i pannelli non sono tutti perfettamente montati. Tutti gli interventi di manutenzione devono essere svolti da personale qualificato.

Mai utilizzare il prodotto in luoghi nei quali possano avvenire esplosioni di gas o polvere. Consultare le specifiche fornite dal produttore della batteria per accertarsi che la batteria possa essere usata con il presente prodotto. Attenersi sempre alle istruzioni di sicurezza fornite dal produttore della batteria.

Questo dispositivo non dovrà essere utilizzato da persone con abilità fisiche, mentali o sensoriali ridotte (bambini compresi) o con mancanza di esperienza e conoscenza, salvo dietro supervisione o istruzioni sull'uso del dispositivo da parte di una persona responsabile per la loro incolumità. I bambini devono essere supervisionati, per assicurarsi che non giochino con il dispositivo.

AVVERTENZA: Non sollevare oggetti pesanti senza assistenza

3.1 Trasporto e magazzinaggio

Durante le operazioni di magazzinaggio o trasporto del prodotto, accertarsi che l'alimentazione di rete e i morsetti della batteria siano scollegati.

Non sarà accettata alcuna responsabilità per danneggiamenti durante il trasporto qualora l'apparecchio non venga trasportato nel suo imballo originale.

Conservare il prodotto in un ambiente asciutto; la temperatura di magazzinaggio deve essere compresa tra - 20°C e + 60°C.

Consultare il manuale di istruzioni della batteria per informazioni relative a trasporto, magazzinaggio, carica, ricarica e smaltimento della batteria.

Durante l'installazione proteggere i moduli solari dalla luce incidente, ad es. coprendoli.

Non toccare mai le estremità dei cavi non isolate.

Usare esclusivamente utensili isolati.

3.2 Messa a terra

Messa a terra della batteria: questo dispositivo può essere installato in un sistema con polo positivo o negativo collegato a massa.

Nota: utilizzare un solo collegamento a terra (preferibilmente, vicino alla batteria) per evitare malfunzionamenti del sistema.

- Messa a terra del telaio: È consentita una messa a terra a parte per il telaio, giacché è isolato dai morsetti positivo e negativo.
- Il USA National Electrical Code (codice elettrico nazionale degli USA) (NEC) richiede l'utilizzo di un dispositivo esterno di protezione contro guasti di messa a terra (GFPD). Questi caricabatterie MPPT non dispongono di protezione interna contro guasti di messa a terra. Il polo elettrico negativo del sistema deve essere vincolato tramite un GFPD di messa a terra in una (e solo una) ubicazione.
- Il caricabatterie non deve essere collegato mediante pannelli FV di massa. (solo un collegamento a terra)
- I poli positivi e negativi del pannello FV non devono essere messi a terra. Mettere a terra il telaio dei pannelli FV, per ridurre l'impatto dei fulmini.

****QUANDO INDICA UN GUASTO DI MESSA A TERRA, I MORSETTI DELLA BATTERIA E I CIRCUITI COLLEGATI POTREBBERO RISULTARE NON MESSI A TERRA E PERICOLOSI**

4. Descrizione del prodotto

Il prodotto si basa su un inverter sinusoidale di grande potenza, un caricabatterie ed un interruttore automatico racchiusi in una custodia compatta. Indicato per l'uso in Marina, Automobilistica, nonché per applicazioni stazionare a terra.

4.1. Caratteristiche comuni a tutte le applicazioni

4.1.1 Display GX LCD

Un display retroilluminato da 2 x 16 caratteri mostra i parametri del sistema.

4.1.2 Connessioni BMS-Can

La connessione del BMS-Can consente di collegare batterie compatibili con BMS CAN-bus da 500 kbps. I prodotti VE.Can, come i Caricabatterie Solari MPPT di Victron, o il Lynx Shunt VE.Can, NON sono supportati.

4.1.3 Ethernet e Wi-Fi

Le connessioni Ethernet e Wi-Fi consentono il monitoraggio dei sistemi locale e remoto, nonché il collegamento al portale gratuito VRM di Victron per ottenere informazioni a lungo termine sulle prestazioni del sistema.

4.1.4 Commutazione continua e automatica

In caso di caduta dell'alimentazione o quando il generatore è spento, il prodotto passa alla modalità inverter e subentra nell'alimentazione dei dispositivi collegati. Questa operazione avviene così rapidamente che computer ed altri dispositivi elettronici non ne vengono disturbati (funzione Gruppo di Continuità o UPS). Per questo motivo il prodotto è particolarmente indicato quale sistema di alimentazione di emergenza in applicazioni industriali o relative all'ambito delle telecomunicazioni.

4.1.5 Due uscite CA

Oltre alla consueta uscita continua (AC-out-1), è disponibile una seconda uscita (AC-out 2) in grado di scollegare il proprio carico in caso di funzionamento della batteria. Esempio: una caldaia elettrica che può funzionare solamente se il generatore è in funzione o se è disponibile l'alimentazione di terra. Ci sono svariate applicazioni per AC-out-2.

4.1.6 Capacità trifase

L'unità può essere connessa ad altre e configurata per l'uscita trifase. Si possono collegare in parallelo fino a 6 set di tre unità ciascuno, per fornire una potenza di 45 kW / 54 kVA all'inverter e più di 600A di capacità di carica.

4.1.7 PowerControl - sfruttamento massimo della corrente CA limitata

Il prodotto è in grado di fornire un'enorme corrente di carica. Ciò implica un carico elevato sul CA terra o sul generatore. Quindi è possibile impostare una corrente massima. Il prodotto, inoltre, prende in considerazione altri utenti e per la carica utilizza solamente la corrente eccedente.

4.1.8 PowerAssist – Utilizzo esteso dell'alimentazione da banchina o generatore

Questa caratteristica porta il principio del PowerControl a una dimensione successiva e permette al prodotto di integrare la capacità della fonte alternativa. Quando si richiede spesso potenza massima solo per un breve periodo di tempo, il prodotto compensa immediatamente l'eventuale carenza energetica di generatore o CA terra alimentando dalla batteria. Quando il carico si riduce, l'alimentazione eccedente viene utilizzata per ricaricare la batteria.

4.1.9 Programmabile

Tutte le impostazioni possono essere modificate utilizzando un PC e un software gratuito, scaricabile dal nostro sito internet www.victronenergy.com Per ulteriori informazioni, vedere il seguente manuale - <https://docs.victronenergy.com/veconfigure.html>

4.1.10 Relè programmabile

Il prodotto è dotato di un relè programmabile. Il relè può essere programmato per altri tipi di applicazione, come, ad esempio, per [la funzione da relè di avviamento di un generatore](#).

4.1.11 Trasformatore di corrente esterno (opzionale)

L'opzione del trasformatore di corrente esterno implementa il PowerControl e il PowerAssist, grazie al rilevamento esterno di corrente.

4.1.12 Porte di ingresso/uscita analogiche/digitali programmabili (entrata Aux 1 ed entrata Aux 2, vedere appendice)

Il prodotto è dotato di 2 porte di ingresso/uscita analogiche/digitali.

Queste porte possono essere utilizzate a diversi fini. Un'applicazione è la comunicazione con il BMS di una batteria al litio.

4.2 Caratteristiche specifiche degli impianti in rete e isolati combinati con fotovoltaico

4.2.1 Trasformatore di corrente esterno (opzionale)

Se usato in una topologia parallela alla rete, il trasformatore di corrente interno non può misurare la corrente proveniente da o diretta alla rete. In questo caso, si deve utilizzare un trasformatore di corrente esterno. Vedere Appendice A. Contattare il Distributore Victron per ulteriori informazioni su questo tipo di installazione.

4.2.2 Commutazione di frequenza

Quando gli inverter solari sono connessi all'uscita CA del prodotto, l'energia solare in eccesso è utilizzata per ricaricare le batterie. Quando si raggiunge la tensione di assorbimento, la corrente di carica si ridurrà e l'energia in eccesso sarà immessa nuovamente nella rete. Se la rete non è disponibile, il prodotto aumenterà leggermente la frequenza in CA, per ridurre l'uscita dell'inverter solare.

4.2.3 Monitor della batteria integrato

La soluzione ideale quando il prodotto fa parte di un sistema ibrido (generatore diesel, inverter/caricatori, accumulatore ed energia alternativa). Il monitor della batteria integrato può essere impostato per avviare e arrestare il generatore:

- Avvio a un livello predefinito della % di scaricamento, e/o
- avvio (con un ritardo preimpostato) a una tensione di batteria preimpostata, e/o
- avvio (con un ritardo preimpostato) a un livello di carico preimpostato.
- Arresto a una tensione della batteria preimpostata, o
- arresto (con un ritardo preimpostato) al completamento della fase di carica principale, e/o
- arresto (con un ritardo preimpostato) a un livello di carico preimpostato.

4.2.3 Funzionamento autonomo quando la rete si guasta

Abitazioni o edifici dotati di pannelli solari o di un impianto di cogenerazione di energia termica ed elettrica su piccola scala o di altre fonti energetiche sostenibili dispongono di una potenziale alimentazione autonoma di energia che può essere utilizzata per alimentare apparecchiature essenziali (pompe del riscaldamento centralizzato, refrigeratori, surgelatori, connessioni internet, ecc) durante un'interruzione dell'alimentazione. Tuttavia, il problema è che le fonti energetiche sostenibili allacciate alla rete si scollegano non appena l'alimentazione di rete si interrompe. Con il prodotto e le batterie, il problema si può risolvere: **Il prodotto è in grado di sostituire l'alimentazione di rete durante una caduta di corrente** Quando le fonti di energia sostenibili producono più energia del necessario, il surplus viene sfruttato dal prodotto per caricare le batterie; in caso di interruzione di corrente, il prodotto alimenta energia aggiuntiva dalle sue batterie.

4.3 Caricabatterie

4.3.1 Batterie piombo-acido

Algoritmo di carica adattiva a 4 fasi: prima fase di carica - assorbimento - mantenimento - accumulo

Il sistema di gestione adattiva a microprocessore della batteria può essere regolato per diversi tipi di batterie. La funzione adattiva regola automaticamente il processo di carica rispetto all'utilizzo della batteria.

La giusta quantità di carica: tempo di assorbimento variabile

In caso di scarica leggera, il tempo di assorbimento viene mantenuto breve per impedire il sovraccarico e la formazione eccessiva di gas. Dopo una scarica profonda, il tempo di assorbimento viene prolungato automaticamente in modo da garantire una ricarica completa della batteria.

Prevenzione dei danni provocati da una quantità eccessiva di gas: la modalità BatterySafe

Se per abbreviare il tempo di carica si opta per una corrente di carica elevata e per una tensione di assorbimento superiore, i danni da gassificazione eccessiva verranno evitati limitando automaticamente la velocità di aumento della tensione dopo il raggiungimento della tensione di gassificazione.

Minore manutenzione e invecchiamento quando la batteria non è utilizzata: modalità di accumulo

La modalità di accumulo si attiva se la batteria non viene mai sollecitata per 24 ore. In tale modalità, la tensione di mantenimento si abbassa fino a 2,2V/cella (13,2V per una batteria da 12V) per ridurre al minimo la formazione di gas e la corrosione delle piastre positive. La tensione viene riportata al livello di assorbimento una volta alla settimana per 'equilibrare' la batteria. Questo processo impedisce la stratificazione dell'elettrolita e la solfatazione, cause principali dell'invecchiamento prematuro delle batterie.

Rilevamento della tensione batteria: la giusta tensione di carica

Le perdite di tensione dovute alla resistenza dei cavi possono essere compensate utilizzando la funzione di rilevamento della tensione, che misura la tensione direttamente sul bus CC o sui morsetti della batteria.

Compensazione della temperatura e della tensione

Il sensore della temperatura (in dotazione al prodotto) serve a ridurre la tensione di carica in caso di innalzamento della temperatura della batteria. Questa funzione è particolarmente importante per le batterie che non richiedono manutenzione le quali, in caso contrario, rischiano di esaurirsi per sovraccarico.

4.3.2 Batterie agli ioni di litio

Batterie Victron LiFePO4 Smart

Utilizzare il BMS VE.Bus

4.3.3 Altre batterie agli ioni di litio

Vedere https://www.victronenergy.com/live/battery_compatibility:start

4.3.4 Ulteriori informazioni sulle batterie e la ricarica delle batterie

Il nostro libro "Energy Unlimited" offre ulteriori informazioni sulle batterie e la loro ricarica ed è disponibile gratuitamente nel nostro sito web: www.victronenergy.com/support-and-downloads/whitepapers
Per ulteriori informazioni circa le caratteristiche di carica adattiva, si prega di consultare la pagina "Informazioni tecniche generali" del nostro sito web.

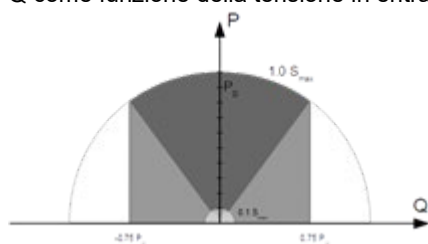
4.4 ESS – Impianto di accumulo di energia: reimmissione dell'energia nella rete

Quando il prodotto è usato in una configurazione in cui alimenta l'energia alla rete, occorre abilitare la conformità del codice di rete selezionando l'opportuna impostazione del codice di rete per il Paese con lo strumento VEConfigure.

Dopo l'impostazione, è richiesta una password per disabilitare la conformità al codice di rete o modificarne i parametri. Contattare il Distributore Victron se si necessita questa password.

In base al codice di rete, ci sono varie modalità di controllo della Potenza reattiva:

- Cos ϕ fisso
- Cos ϕ come funzione di P
- Q fissa
- Q come funzione della tensione in entrata



Capacità della Potenza Reattiva

Se il codice di rete locale non è supportato dal prodotto, occorre utilizzare un'interfaccia esterna certificata per allacciare il prodotto alla rete.

Il prodotto può anche essere utilizzato come inverter bidirezionale che opera in parallelo alla rete, integrato in un sistema progettato dal cliente (PLC o altro) che gestisce il circuito di controllo e la misurazione della rete,

Nota speciale su NRS-097 (Sud Africa)

1. L'impedenza massima di rete consentita è di $0.28\Omega + j0.18\Omega$
2. In caso di unità monofase multiple, l'inverter supplisce la richiesta di sbilanciamento solo se il Color Control GX forma parte dell'impianto.

Note speciali su AS 4777.2 (Australia/Nuova Zelanda)

1. La certificazione e l'omologazione CEC per l'utilizzo off-grid NON implicano l'omologazione per gli impianti ad interazione con la rete. Sono necessarie delle ulteriori certificazioni, oltre la IEC 62109.2 e la AS 4777.2.2015, prima di poter implementare un sistema ad interazione con la rete. Si prega di vedere il sito del Clean Energy Council per sapere le attuali omologazioni.
2. DRM - Modalità Domanda Risposta Quando si seleziona il codice di rete AS4777.2 nel VEconfigure, la funzione DRM 0 è disponibile nella porta AUX1 (vedere appendice A). Per attivare la connessione di rete, si deve interporre una resistenza compresa fra 5kOhm e 16kOhm, fra i morsetti della porta AUX1 (segnalati come + e -). Il prodotto si scollegherà dalla rete in caso di circuito aperto o di cortocircuito fra i morsetti della porta AUX1. La tensione massima ammissibile fra i morsetti della porta AUX1 è di 5V. In alternativa, se il DRM 0 non è necessario, questa funzione può essere disattivata con il VEConfigure.

5. Funzionamento

Interruttore On/Off/Charger Only

L'interruttore è posizionato nella parte inferiore del fondo destro del prodotto.

L'interruttore ha tre posizioni. La posizione centrale 0 corrisponde a Off. La posizione I corrisponde a On e la posizione II corrisponde a Charger Only.

Quando posizionato su 'I / On' (spostato verso la parte frontale dell'unità), il prodotto si accende e l'inverter è pienamente funzionale.

Una eventuale tensione in CA collegata al morsetto "AC in" passa al morsetto "AC out", se conforme alle specifiche.

L'inverter si spegne e il caricabatterie inizia la carica. A seconda della modalità del caricabatterie, si accende la modalità "bulk" (prima fase di carica), "absorption" (assorbimento) o "float" (mantenimento).

Se la tensione al morsetto 'AC-in' viene respinta, l'inverter si accende.

Quando l'interruttore si trova su "II / Charger Only" (solo caricabatterie), entra in funzione solamente il caricabatterie del Multi (con tensione di rete presente). In questa modalità anche la tensione di ingresso viene inviata al morsetto 'AC out'.

NOTA: Quando si desidera il funzionamento del solo caricabatterie, accertarsi di posizionare l'interruttore su "II / Charger Only". Tale accorgimento impedisce all'inverter di entrare in funzione in caso di interruzione della tensione di rete e, di conseguenza, impedisce alle batterie di scaricarsi.

6. Interfaccia GX LCD

Lo schermo mostrerà informazioni utili sul sistema.

6.1 Comportamento on/off

Quando il prodotto si spegne mediante l'interruttore fisico del dispositivo o mediante i morsetti On/Off remoto, si spegne anche la scheda GX. Se si spegne il prodotto a distanza mediante un pannello digitale Multi Control, la scheda GX rimarrà accesa. Anche spegnendo l'inverter/caricabatterie dal menù GX, la scheda GX rimarrà accesa.

Infine, quando l'inverter/caricabatterie si spegne da solo in seguito a un allarme, come per batteria scarica o sovratemperatura, la scheda GX rimarrà accesa e funzionante.

6.2 Comportamento del pulsante

Quando la scheda GX è attiva, premendo il pulsante accanto allo schermo si attiverà la retroilluminazione. La retroilluminazione si spegnerà da sola dopo 5 minuti.

Una volta attivata la retroilluminazione, premendo nuovamente il pulsante si navigherà fra le varie opzioni del display. Alcune opzioni appariranno automaticamente, mentre affinché ne appaiano altre si dovrà premere un pulsante.

6.3 Informazioni mostrate

- Energia solare, Tensione e Stato di carica (se collegato)
- Codici dei motivi ESS/DVCC (se attivi)
- Rendimento giornaliero solare
- Stato di carica dell'inverter/caricabatterie (ad es., Bulk, ESS)
- Stato di carica della batteria, Potenza e Tensione
- Indirizzo IP di rete e Tipo di connessione (se collegato).
- Ingresso CA e Potenza in uscita

In un sistema con più di una fase, saranno disponibili ulteriori informazioni dell'ingresso e dell'uscita CA, ad es.

- Tensione e Potenza dell'ingresso CA Fase 1.
- Tensione e Potenza dell'uscita CA Fase 1.
- Tensione e Potenza dell'ingresso CA Fase 2.
- Tensione e Potenza dell'uscita CA Fase 2.
- Tensione e Potenza dell'ingresso CA Fase 3.
- Tensione e Potenza dell'uscita CA Fase 3.

6.4 Codice errore del display

Se il sistema presenta un errore, il codice di tale errore apparirà sullo schermo. Lo schermo mostrerà i numeri del codice errore del VE.Bus e i codici errore del MPPT (se collegato).

Le informazioni di base sui Codici errore del VE.Bus si trovano nella sezione Indicazioni degli Errori.

Per ulteriori dettagli riguardo i codici errore, vedere:

[Codici errore di VE.Bus](#)

[Codici errore di MPPT](#)

L'errore rimarrà visibile finché non si risolve.

7. Collegamento del Pannello Fotovoltaico

7.1 Dimensionamento del pannello

Raccomandiamo di utilizzare il [Calcolatore delle dimensioni del MPPT, disponibile nel nostro sito web](#).

- Il regolatore funziona solo se la tensione fotovoltaica supera la tensione della batteria (Vbat).
- La tensione fotovoltaica deve superare $V_{bat} + 5V$ perché il regolatore si avvii. Successivamente la tensione fotovoltaica minima sarà $V_{bat} + 1V$.
- La tensione massima del Pannello fotovoltaico a circuito aperto è di 250V.
- La corrente massima del Pannello fotovoltaico in corto circuito è di 35V.

Ad esempio:

- Numero minimo di celle in serie: 144 (4 x pannelli da 12V o 2 x pannelli da 24V in serie).
- Massimo: 360 celle (10 x pannelli da 12V o 5 x pannelli da 24V in serie).

Osservazione: a bassa temperatura, la tensione a circuito aperto di un pannello a 360 celle potrebbe superare i 250V, secondo le condizioni ambiente e le specifiche delle celle. In questo caso, si deve ridurre il numero di celle in serie.

Il componente MPPT dell'EasySolar-II GX è pre-programmato a 48V, per soddisfare i requisiti dell'inverter/caricabatterie incluso.

7.2 Collegamento

1. Collegare la batteria.
2. Collegare il pannello solare ai bulloni solari M6 Nota: se connesso con polarità inversa, il regolatore si riscalda ma non carica batteria.

Tenere presente che il fusibile da 100 Amp non può essere sostituito dall'utente. Se si brucia, si deve restituire l'unità a un centro di assistenza, affinché lo ripari. Si brucerà solo quando altri componenti del dispositivo abbiano sofferto dei guasti.



8. Installazione

Questo prodotto contiene tensioni potenzialmente pericolose. Deve essere installato solamente sotto la supervisione di un installatore qualificato e che abbia ricevuto l'opportuna formazione, in base alle leggi locali. Si prega di contattare Victron Energy per ulteriori informazioni o per l'opportuna formazione

8.1 Posizionamento

Installare il prodotto in luogo asciutto, ben ventilato e il più possibile vicino alle batterie. Attorno al prodotto deve essere lasciato uno spazio libero di almeno 10 cm per consentirne il raffreddamento.

AVVERTENZA: Una temperatura ambiente troppo elevata porta alle seguenti conseguenze:

- Durata di vita ridotta.
- Corrente di carica inferiore
- Potenza di picco ridotta o arresto completo dell'inverter. Mai posizionare il dispositivo direttamente sopra le batterie.

Il prodotto è predisposto per il montaggio a muro. Ai fini del montaggio, infatti, nella sezione posteriore della custodia si trovano due fori ed un gancio (vedere appendice G). Il dispositivo può essere montato in posizione sia orizzontale che verticale. Per un raffreddamento ottimale, si consiglia il posizionamento verticale.

AVVERTENZA: Dopo l'installazione deve essere possibile accedere alle parti interne del prodotto.

Ridurre al minimo la distanza tra il prodotto e la batteria, in modo da ridurre al massimo la perdita di tensione dei cavi. Ai fini della sicurezza, installare il presente prodotto in ambiente termo-resistente. Accertarsi che nelle immediate vicinanze non vi siano sostanze chimiche, elementi in materiale sintetico, tende e altri materiali tessili, ecc.

8.2 Collegamento dei cavi della batteria

Per sfruttare a pieno il potenziale del prodotto, utilizzare batterie con capacità sufficiente e cavi di collegamento della batteria di sezione adeguata. Fare riferimento alla tabella seguente:

	48/3000/35
Capacità batterie consigliata (Ah)	100-400
Fusibile CC consigliato	125 A
Sezione trasversale consigliata (mm ²) dei morsetti di collegamento +/-	
0 – 5 m	35 mm ²
5 – 10 m	70 mm ²

Annotazione: La resistenza interna è il fattore più importante quando si lavora con batterie a bassa capacità. Consultare il fornitore o le sezioni pertinenti della pubblicazione 'Energy Unlimited', scaricabile dal nostro sito internet.

8.3 Procedura di collegamento della batteria

Per collegare i cavi della batteria, procedere come segue:

AVVERTENZA: Utilizzare una chiave di serraggio con isolamento per evitare di mettere in cortocircuito la batteria. **Coppia massima: 14 Nm** Evitare di mettere in cortocircuito i cavi di collegamento della batteria.

AVVERTENZA: Al momento di effettuare le connessioni elettriche, bisogna prestare particolari cure e attenzioni. La corretta polarità deve essere confermata mediante un multimetro prima della connessione. Collegare una batteria con una polarità erranea provoca la distruzione del dispositivo e non è coperta dalla garanzia.

- Allentare le due viti sul fondo della custodia e rimuovere il pannello di servizio.
- Collegare i cavi della batteria: Prima il cavo - e poi il cavo +. Prestare attenzione, giacché potrebbero saltare alcune scintille durante il collegamento della batteria.
- Serrare i dadi in base alla coppia indicata per determinare una resistenza di contatto minima.

8.4 Collegamento dei cavi in AC

AVVERTENZA

Questo è un prodotto in classe di sicurezza I (fornito con morsetto di terra ai fini della sicurezza). **I suoi morsetti di entrata e/o uscita in CA e/o il punto di messa a terra all'interno del prodotto devono essere dotati di un punto di messa a terra continuo di sicurezza.** Vedere Appendice A.

Nelle installazioni fisse è possibile assicurare la messa a terra continua tramite il filo di terra dell'ingresso in CA. Altrimenti bisogna mettere a terra la carcassa.

Questo prodotto è dotato di un relè di massa (relè H, vedere appendice B) che **collega automaticamente l'uscita del Neutro alla carcassa nel caso non sia disponibile alcuna alimentazione CA esterna.** Se invece viene fornita una alimentazione CA esterna, il relè di massa H si apre prima della chiusura del relè di sicurezza di ingresso. Ciò assicura il corretto funzionamento dell'interruttore differenziale collegato all'uscita.

In installazioni mobili (ad esempio in una presa di corrente di banchina), l'interruzione del collegamento di banchina causa la contestuale interruzione del collegamento a terra. In tal caso si dovrà collegare la carcassa al telaio (del veicolo) o allo scafo o alla piastra di messa a terra (dell'imbarcazione). Il collegamento diretto alla messa a terra di banchina è sconsigliato nel caso delle imbarcazioni a causa della possibile corrosione galvanica. Il problema si risolve utilizzando un trasformatore di isolamento. **Coppia: 2 Nm**

La morsettiera si trova sul circuito stampato, vedere Appendice A.

Quando si collega la CA, non invertire il neutro e la fase.

L'inverter incorpora un trasformatore di isolamento della frequenza di alimentazione generale. Ciò impedisce alla corrente CC di arrivare a qualsiasi porta CA. Di conseguenza, si può utilizzare il tipo A di RCD.

- **AC-in** Il filo dell'entrata in CA può essere collegato alla morsettiera 'AC-in'. Da sinistra a destra: "N" (Neutro), "PE" (terra) e "L" (fase) **L'ingresso CA deve essere protetto per mezzo di fusibile o disgiuntore magnetico con portata di 32A o inferiore e sezione del filo di dimensione adeguata.** Se l'alimentazione in CA dell'ingresso ha portata inferiore, il fusibile o il disgiuntore magnetico devono essere dimensionati in funzione di essa.
- **AC-out-1** Il filo dell'uscita in CA può essere collegato direttamente alla morsettiera 'AC-out'. Da sinistra a destra: "N" (neutro), "PE" (terra) e "L" (fase) Con la sua funzione PowerAssist, il Multi può arrivare ad aggiungere ben 3kVA (ossia $3000 / 230 = 13A$) in uscita quando è richiesta la potenza di picco. Assieme a una corrente di ingresso massima di 32A, ciò significa che l'uscita potrà fornire fino a $32 + 13 = 45 A$. È necessario integrare in serie con l'uscita anche un interruttore differenziale e un fusibile o disgiuntore magnetico con portata adeguata al carico previsto, mentre la sezione del filo va dimensionata di conseguenza.
- **AC-out-2** È disponibile una seconda uscita in grado di scollegare il proprio carico in caso di funzionamento della batteria. A questi morsetti sono collegati apparecchi che possono funzionare solamente con tensione CA presente in AC-in -1, ad es. una caldaia elettrica od un condizionatore d'aria. Il carico su AC-out-2 viene scollegato immediatamente quando l'inverter/caricabatterie passa al funzionamento con batteria. Con un ritardo di circa 2 minuti rispetto all'arrivo della corrente alternata su AC-in -1, il carico su AC-out-2 viene ricollegato. Ciò consente al generatore di stabilizzarsi

8.5 Collegamenti opzionali

Sono inoltre possibili alcuni collegamenti opzionali:

8.5.1 Controllo remoto

Il controllo remoto del prodotto si può ottenere nei due modi seguenti:

- Tramite interruttore esterno (morsetto di collegamento M, vedere Appendice A). Funziona solamente se l'interruttore del dispositivo è impostato su "on".
- Tramite pannello digitale Multi Control (collegato ad uno dei due connettori RJ45 L, vedere Appendice A). Funziona solamente se l'interruttore del dispositivo è impostato su "on".

Il pannello digitale Multi Control è dotato di una manopola girevole, tramite la quale è possibile impostare la corrente massima dell'ingresso in CA: vedere PowerControl e PowerAssist.

8.5.2 Relè programmabile

Il prodotto è dotato di un relè programmabile.

Il relè può essere programmato per tutti gli altri tipi di applicazione, come, ad esempio, per la funzione da relè di avviamento di un generatore.

8.5.3 Porte di ingresso/uscita analogiche/digitali programmabili

Il prodotto è dotato di 2 porte di ingresso/uscita analogiche/digitali.

Queste porte possono essere utilizzate a diversi fini. Un'applicazione è la comunicazione con il BMS di una batteria al litio.

8.5.4 Rilevamento della tensione (morsetto di collegamento J, vedere Appendice A)

Per compensare eventuali perdite sui cavi durante la carica, si può effettuare il collegamento di due cavi sensore con i quali è possibile misurare la tensione sulla batteria o eventualmente sui punti di distribuzione positivo e negativo.

Utilizzare un cavo con sezione trasversale di 0,75mm².

Durante la carica della batteria, l'inverter/caricabatterie compensa un calo di tensione sui cavi CC di massimo 1 Volt (ad es., 1V sul collegamento positivo ed 1V su quello negativo). Se il calo di tensione rischia di eccedere 1V, la corrente di carica viene limitata in modo da limitare anche il calo di tensione ad 1V.

8.5.5 Sensore di temperatura (morsetto di collegamento J, vedere Appendice A)

Per una carica a compensazione di temperatura, è possibile collegare il sensore di temperatura (in dotazione con l'inverter/caricabatterie). Il sensore è isolato e deve essere montato sul morsetto negativo della batteria.

8.5.6 Collegamento in parallelo

È necessario utilizzare unità identiche per sistemi trifase e in parallelo. In questo caso, essendo consentito un solo dispositivo GX per ogni sistema, se si vuole collegare in parallelo e/o in trifase con questo prodotto, si deve trovare lo stesso modello di MultiPlus-II da associare.

Per ottenere un aiuto nel trovare unità identiche, in alternativa si può usare un MultiPlus-II per sistemi in parallelo e trifase e un dispositivo GX esterno.

Si possono collegare in parallelo fino a sei unità. Se si collega questo prodotto con un MultiPlus-II in un sistema in parallelo, si dovranno soddisfare i seguenti requisiti:

AVVERTENZA

- È fondamentale che il morsetto negativo della batteria fra le unità sia sempre collegato. Non è consentito usare un fusibile o un interruttore differenziale sul negativo.
- Tutte le unità devono essere collegate alla stessa batteria
- Numero massimo di unità collegate in parallelo: sei.
- I dispositivi devono essere identici (oltre al GX) ed avere lo stesso firmware.
- Uguale lunghezza e sezione dei cavi di collegamento in CC tra i dispositivi.
- In caso di utilizzo di punti di distribuzione in CC positivi e negativi, la sezione del collegamento tra le batterie e il punto di distribuzione di CC deve equivalere almeno alla somma delle sezioni necessarie per i collegamenti tra il punto di distribuzione e le unità.
- Collegare sempre i cavi del polo negativo della batteria, prima di collocare i cavi del UTP.
- Collocare le unità in modo che siano vicine tra loro ma lasciare almeno 10cm di spazio sotto, sopra e ai lati delle unità per consentire una corretta aerazione.
- Collegare i cavi UTP direttamente da una unità all'altra (e al pannello remoto). Non sono ammesse scatole di collegamento o di distribuzione.
- È possibile collegare al **sistema** un solo dispositivo di comando remoto (pannello o interruttore). Ciò significa, un solo GX.

8.5.7 Funzionamento trifase

È possibile utilizzare il prodotto anche in configurazione trifase a Y. Per tale configurazione viene realizzato un collegamento tra i dispositivi per mezzo di cavi di rete RJ45 UTP standard (gli stessi utilizzati per il funzionamento in parallelo). Successivamente, il **sistema** dovrà essere configurato.

Pre-requisiti: vedere la sezione Rilevamento della tensione

1. Nota: il prodotto non ammette la configurazione trifase a delta (Δ).
2. Quando si seleziona il codice di rete AS4777.2 nel VEConfigure, in un sistema trifase sono consentite solo 2 unità in parallelo per fase.

Per dettagli particolareggiati riguardo la configurazione in parallelo e trifase, parlare sempre prima con il distributore Victron e leggere questo manuale specifico:

https://www.victronenergy.com/live/ve.bus:manual_parallel_and_three_phase_systems

8.5.8 Collegamento al Portale VRM

Il collegamento del prodotto al VRM richiede una connessione internet. Questa può essere mediante Wi-Fi o, preferibilmente, con collegamento diretto tramite cavo Ethernet a un router connesso a Internet.

Il sito del VRM è indicato su un adesivo apposto nella parte dei collegamenti tramite cavo del dispositivo. Per ulteriori informazioni sulla configurazione del VRM, vedere il [Manuale di inizio del VRM](#)

EN

NL

FR

DE

ES

SE

IT

Appendice

9. Configurazione

Questa sezione è pensata soprattutto per applicazioni autonome

Per gli Impianti di Accumulo di Energia (ESS) collegati alla rete, vedere <https://www.victronenergy.com/live/ess:start>

- Le impostazioni devono essere cambiate solo da un installatore qualificato e che abbia ricevuto l'opportuna formazione, in base alle leggi locali. Si prega di contattare Victron per ulteriori informazioni o per l'opportuna formazione.
- Leggere attentamente le istruzioni prima di procedere alle modifiche.
- Durante l'impostazione del caricatore, l'ingresso CA deve essere rimosso.

9.1 Impostazioni standard: pronto per l'uso

Al momento della consegna, il prodotto è regolato sulle impostazioni di fabbrica standard. Generalmente, le impostazioni sono regolate per garantire il funzionamento dell'unità in solitario.

AVVERTENZA

È possibile che la tensione di carica standard della batteria non sia adeguata alle vostre batterie! Consultare la documentazione fornita dal produttore o contattare il fornitore della batteria!

Impostazioni di fabbrica standard

Impostazione	Valore
Frequenza inverter	50 Hz
Intervallo della frequenza di ingresso	45-65Hz
Intervallo tensione di ingresso	180 – 265 VCA
Tensione inverter	230 VCA
Funzionamento autonomo / parallelo / trifase	autonomo
AES (Risparmio energetico automatico)	off
Relè di terra	on
Caricabatterie acceso/spento	on
Curva di carica della batteria	adattiva a quattro fasi con modalità BatterySafe
Corrente di carica	100% della corrente di carica massima
Tipo di batteria	Victron Gel Deep Discharge (compatibile anche con Victron AGM Deep Discharge)
Carica di equalizzazione automatica	off
Tensione di assorbimento	57,6V
Tempo di assorbimento	fino ad 8 ore (in base al tempo della prima fase di carica)
Tensione di mantenimento	55,2V
Tensione di accumulo	52,8V (non regolabile)
Tempo di assorbimento ripetuto	1 ora
Intervallo di assorbimento ciclico	7 giorni
Protezione per la prima fase di carica	on
Limite di corrente ingresso in CA	32A (= limite di corrente regolabile per funzioni PowerControl e PowerAssist)
Funzione UPS	on
Limitatore dinamico di corrente	off
WeakAC	off
BoostFactor	2
Relè programmabile	funzione allarme
PowerAssist	on

9.2 Spiegazione delle impostazioni

Qui di seguito vengono spiegate brevemente le impostazioni non intuitive. Per ulteriori informazioni si rimanda ai file di aiuto contenuti nei programmi di configurazione.

Frequenza inverter

Frequenza in uscita se non vi è CA in ingresso.

Possibilità di regolazione: 50 Hz; 60 Hz

Intervallo della frequenza di ingresso

Intervallo della frequenza di ingresso accettato. Il prodotto si sincronizza entro questo intervallo con la frequenza di ingresso in CA. La frequenza di uscita diventa quindi equivalente a quella di ingresso.

Possibilità di regolazione: 45 – 65 Hz; 45 – 55 Hz; 55 – 65 Hz

Intervallo tensione di ingresso

Intervallo della tensione accettato. Il prodotto si sincronizza entro questo intervallo con l'ingresso in CA. La tensione di uscita diventa quindi equivalente a quella di ingresso.

Possibilità di regolazione:

Limite inferiore: 180 – 230V

Limite superiore: 230 – 270V

Nota: l'impostazione del limite inferiore standard di 180V è intesa per la connessione a un'alimentazione debole o un generatore con uscita in CA instabile. Questa impostazione può provocare una chiusura del sistema quando è collegato a un "generatore CA sincrono, con tensione regolata esternamente, autoeccitato, senza spazzola" (generatore AVR sincrono). La maggior parte dei generatori con portata di 10kVA o superiore sono generatori AVR sincroni. La chiusura è avviata quando il generatore è arrestato e perde giri mentre l'AVR "cerca" simultaneamente di mantenere la tensione di uscita del generatore a 230V.

La soluzione consiste nell'aumentare l'impostazione del limite inferiore a 210VCA (l'uscita dei generatori AVR è in genere molto stabile) o nello scollegare il prodotto dal generatore quando viene emesso un segnale di arresto del generatore (con l'aiuto di un contatore CA installato in serie con il generatore).

Tensione inverter

Tensione di uscita durante il funzionamento della batteria.

Possibilità di regolazione: 210 – 245V

Funzionamento autonomo/ parallelo/ impostazione bi-trifase

Utilizzando più dispositivi, è possibile:

- aumentare la potenza totale dell'inverter (più dispositivi in parallelo)
- creare un sistema split-phase con un auto-trasformatore separato: vedere il manuale e il foglio tecnico dell'auto-trasformatore VE
- creare una sistema trifase.

Le impostazioni standard del prodotto si intendono per un solo dispositivo con funzionamento autonomo.

AES (Risparmio energetico automatico)

Se questa impostazione è attiva, il consumo di energia durante il funzionamento a vuoto e con carico minimo diminuisce di circa il 20% con una minima "riduzione di ampiezza" della tensione sinusoidale. Applicabile solamente alla configurazione di funzionamento autonomo.

Modalità Search (ricerca)

Invece della modalità AES, si può selezionare anche la **modalità di ricerca**. Se la modalità di ricerca è su 'on', il consumo di energia durante il funzionamento a vuoto diminuisce di circa il 70%. In questa modalità il prodotto, durante il funzionamento come inverter, si spegne in caso di operazione a vuoto o condizioni di carico minimo e si riaccende brevemente ogni due secondi. Se la corrente di uscita supera un livello predeterminato, l'inverter continuerà a funzionare. Altrimenti si disattiverà nuovamente.

È possibile impostare i livelli di carico "shut down" 'spegnimento' e 'remain on' (funzionamento continuo) della modalità Search tramite il VEConfigure.

Le impostazioni di fabbrica sono:

Azione	Soglia
Arresto	40 Watt (carico lineare)
Accensione	100 Watt (carico lineare)

Relè di massa (vedere l'Appendice B)

Con questo relè, il conduttore neutro dell'uscita in CA viene messo a terra sul telaio ogni volta che i relè di protezione contro il ritorno di energia sono aperti. Ciò assicura il corretto funzionamento degli interruttori differenziali dell'uscita. Se necessario, esiste anche la possibilità di collegare un relè di massa esterno (per la realizzazione di un sistema split phase con autotrasformatore separato) Vedere Appendice A.

Algoritmo di carica della batteria

L'impostazione standard è quella "adattiva a quattro fasi con modalità BatterySafe".

Questo è l'algoritmo di carica consigliato per le batterie al piombo-acido. Per ulteriori caratteristiche consultare i file di aiuto, contenuti nei programmi di configurazione del software.

Tipo di batteria

L'impostazione standard è la più adeguata per le batterie tipo Victron Gel Deep Discharge, Gel Exide A200 e per le batterie stazionarie a piastre tubolari (OPzS). Questa impostazione può essere utilizzata in molte altre batterie: ad es. Victron AGM Deep Discharge, altre batterie AGM e molti altri tipi di batterie piatte a liquido elettrolita.

Con VEConfigure l'algoritmo di carica può essere regolato a qualsiasi tipo di batteria (nichel-cadmio, litio)

Tempo di assorbimento

Nell'impostazione standard "quattro fasi adattativo con modalità BatterySafe", il tempo di assorbimento dipende dal tempo della prima fase di carica (curva di carica adattativa), per caricare la batteria in modo ottimale.

9.2.1 Equalizzazione

Le batterie da trazione hanno bisogno di ricevere regolarmente una carica aggiuntiva. In modalità equalizzazione, il prodotto eroga una carica con tensione più elevata per un'ora (4V per una batteria da 48V). La corrente di carica viene poi limitata a $\frac{1}{4}$ del valore impostato.

La modalità di equalizzazione fornisce una tensione di carica superiore a quella tollerata dalla maggior parte dei dispositivi a corrente continua. Scollegare tali dispositivi prima che venga eseguita la carica aggiuntiva.

Carica di equalizzazione automatica

Questa impostazione è pensata per le batterie da trazione a piastre tubolari a elettrolita liquido o OPzS. Durante l'assorbimento, il limite di tensione aumenta fino a 2,83 V/cella (68V per una batteria da 48V) una volta che la corrente di carica sia scesa al di sotto del 10% della massima corrente impostata.

Vedere la "curva di carica di batteria da trazione a piastra tubolare" su VEConfigure.

Tensione di accumulo, Tempo di assorbimento ciclico, Intervallo di assorbimento ciclico

Vedere Appendice E.

Protezione per la prima fase di carica

Quando questa impostazione è attiva, il tempo di carica per la prima fase di carica è limitato a 10 ore. Un tempo di carica superiore potrebbe essere sintomo di un errore di sistema (ad es. una cella della batteria in cortocircuito).

Limite di corrente ingresso in CA

Quelle che seguono sono le impostazioni del limite di corrente che fanno entrare in funzione il PowerControl ed il PowerAssist.

Intervallo di impostazione del PowerAssist: da 5,3A a 32A.

Impostazione di fabbrica: i valori massimi (32A).

Funzione UPS

Se questa impostazione è attiva e la CA in ingresso si interrompe, il prodotto passa alla modalità inverter praticamente senza subire alcun arresto.

La tensione di uscita di alcuni generatori di piccole dimensioni è troppo instabile o distorta per consentire l'utilizzo di questa impostazione: il prodotto passerebbe continuamente alla modalità inverter. Per tale motivo l'impostazione si può disattivare. Il prodotto risponderà allora con minor rapidità alle oscillazioni di tensione di ingresso in CA. Il tempo di commutazione al funzionamento come inverter sarà dunque leggermente più elevato ma la maggior parte delle apparecchiature (computer, orologi o elettrodomestici in generale) non ne risentirà affatto.

Raccomandazioni: Disattivare la funzionalità UPS in caso di mancata sincronizzazione del prodotto o di continua commutazione alla modalità inverter.

Limitatore dinamico di corrente

È stato previsto per i generatori, giacché la tensione in CA è generata tramite un inverter statico (i cosiddetti "generatori ad inverter"). In questi generatori, l'rpm del motore è ridotto in caso di carichi bassi: questo riduce il rumore, il consumo di carburante e l'inquinamento. Lo svantaggio è che la tensione in uscita subirà un intenso calo o si azzererà del tutto in caso di improvviso aumento del carico. Un carico maggiore potrà essere alimentato solamente dopo che il motore sia entrato in regime.

Se questa impostazione è attiva, il dispositivo inizierà ad alimentare energia aggiuntiva ad un livello basso di uscita del generatore e consentirà gradualmente al generatore di fornire più alimentazione fino al raggiungimento del limite di corrente impostato. Ciò consente al motore del generatore di entrare a regime.

Questa impostazione viene utilizzata spesso anche per i generatori di tipo "classico", che rispondono lentamente alle variazioni improvvise del carico.



victron energy

Weak AC

Una forte distorsione della tensione di ingresso può comportare un funzionamento difficoltoso o addirittura nullo del caricabatterie. Se si è impostato WeakAC, il caricabatterie sopporta sì una tensione molto distorta, ma al costo di una grande distorsione della corrente di ingresso.

Raccomandazioni: Attivare la funzione WeakAC se il caricabatterie sta caricando a fatica o non sta caricando affatto (cosa per altro assolutamente rara!). Se necessario, attivare contemporaneamente anche il limitatore dinamico di corrente e ridurre la corrente di carica massima per scongiurare un sovraccarico del generatore.

Nota: quando è attivo WeakAC, la corrente di carica massima viene ridotta del 20% circa.

BoostFactor Questo valore regola il comportamento del PowerAssist. Se si verificano problemi riguardanti il PowerAssist (ad es., sovraccarico), consultare uno specialista formato da Victron Energy, prima di tentare di modificarlo.

Relè programmabile

Il dispositivo è dotato di svariati relè programmabili. Questi relè possono essere programmati per tutti gli altri tipi di applicazione, come, ad esempio, per la funzione da relè di avviamento di un generatore.

Uscita in CA ausiliaria (AC-out-2)

Pensata per carichi non critici e direttamente collegati all'entrata CA. Con misurazione della corrente per attivare il PowerAssist.

9.3 Inverter/caricabatterie

Per ulteriori informazioni riguardo la configurazione del componente Inverter/Caricabatterie del EasySolar-II GX, si prega di vedere i [Manuali del MultiPlus-II](#)

La funzione di programmazione completa dell'Inverter/Caricabatterie richiede l'utilizzo di un computer portatile con [VEConfigure](#). È possibile effettuare una configurazione limitata mediante [VictronConnect](#)

9.4 Regolatore di carica SmartSolar MPPT 250/70

Il Caricatore Solare è configurato tramite VictronConnect. Il modo più semplice di collegare il Caricatore Solare è tramite Bluetooth. Questo collegamento è compatibile con Android, iOS e macOS. Non è compatibile con Windows.

Se fosse necessario utilizzare Windows, scollegare il cavo VE.Direct dal Caricatore Solare e usare un [cavo di interfaccia USB VE.Direct](#) per il portatile Windows. Dopo aver terminato, ricollegare il cavo VE.Direct che va dal dispositivo interno GX al Caricatore Solare.

Per la documentazione completa riguardo il MPPT integrato nel EasySolar-II GX, si prega di fare riferimento ai seguenti documenti:

- [Documentazione BlueSolar MPPT 250/70](#)
- [Caricatori Solari MPPT VictronConnect](#)
- [Manuale VictronConnect](#)



10. Manutenzione

Il presente prodotto non richiede manutenzione specifica. Sarà sufficiente controllare annualmente tutti i collegamenti. Evitare che il dispositivo venga a contatto con umidità, olio, fuliggine o vapori e pulirlo regolarmente.

11. Segnalazioni di errore

Tramite le procedure che seguono si potrà identificare rapidamente la maggior parte degli errori. Se non è possibile risolvere l'errore, contattare il fornitore Victron Energy.

11.1 Indicazione errori generici

Problema	Causa	Risoluzione
Assenza di tensione in AC-out-2.	EasySolar-II GX in modalità inverter	
Mancato passaggio dell'unità a generatore o alimentazione da rete.	Interruttore o fusibile su ingresso AC-in aperto a seguito di sovraccarico	Eliminare sovraccarico o cortocircuito su AC-out-1 o AC-out-2 e resettare l'interruttore/fusibile.
Mancato avviamento dell'inverter all'accensione.	La tensione della batteria è troppo alta o troppo bassa. Tensione assente su collegamento in CC.	Accertarsi che la tensione della batteria rientri nell'intervallo corretto.
"Batteria bassa"	La tensione della batteria è bassa.	Caricare la batteria o controllarne i collegamenti.
"Batteria bassa" (Arresto)	Disattivazione del convertitore per tensione della batteria troppo bassa.	Caricare la batteria o controllarne i collegamenti.
"Sovraccarico"	Carico del convertitore superiore al carico nominale.	Ridurre il carico.
"Sovraccarico" (Arresto)	Il convertitore viene disattivato per carico eccessivo.	Ridurre il carico.
"Sovratemperatura"	Temperatura dell'ambiente alta o carico troppo elevato.	Installare il convertitore in ambiente fresco e ben ventilato o ridurre il carico.
"Bassa Tens. Batt. Sovraccarico" (Arresto)	Bassa tensione della batteria e carico troppo elevato.	Caricare le batterie, scollegare o ridurre il carico o installare batterie con maggiore capacità. Montare cavi batteria più corti e/o più spessi.
"Alta ondulazione in CC"	Tensione di ondulazione su collegamento in CC superiore a 1,5V rms.	Controllare cavi e collegamenti della batteria. Controllare che la capacità della batteria sia sufficientemente elevata e, se necessario, aumentarla.
"Arresto ondulazione CC"	L'inverter si spegne a causa di un eccesso di tensione di ondulazione sull'ingresso.	Installare batterie di capacità superiore. Montare cavi batteria più corti e/o più spessi quindi resettare l'inverter (spegnerlo e riaccenderlo).
Il caricabatterie non funziona.	La tensione o la frequenza di ingresso in CA è al di fuori dell'intervallo impostato.	Accertarsi che l'ingresso in CA sia compreso tra 185 VCA e 265 VCA e che la frequenza sia compresa nell'intervallo impostato (impostazione predefinita: 45-65 Hz).
	Interruttore o fusibile su ingresso AC-in aperto a seguito di sovraccarico	Eliminare sovraccarico o cortocircuito su AC-out-1 o AC-out-2 e resettare l'interruttore/fusibile.
	Il fusibile della batteria si è bruciato.	Sostituire il fusibile della batteria.
	La distorsione o la tensione di ingresso in CA è troppo alta (in genere, l'alimentazione dal generatore).	Attivare le impostazioni WeakAC e limitatore dinamico di corrente.
Il caricabatterie non funziona. Appare "Protezione per la prima fase di carica".	Il EasySolar II GX è in modalità "Protezione della prima fase di carica", pertanto le 10 ore di massimo tempo di carica per la prima fase di carica sono state superate. Un tempo di carica così prolungato potrebbe essere sintomo di un errore di sistema (ad es., una cella della batteria in cortocircuito).	Controllare le batterie. NOTA: Per uscire dalla modalità di errore, spegnere e riaccendere il EasySolar-II GX. Le impostazioni di fabbrica standard prevedono che la modalità di "protezione della prima fase di carica" del EasySolar-II GX sia attiva. Questa modalità può essere disattivata solamente tramite il VEConfigure.
La batteria non si è caricata completamente.	La corrente di carica è troppo elevata e causa una fase di assorbimento prematura.	Regolare la corrente di carica ad un livello compreso tra 0,1 e 0,2 volte la capacità della batteria.
	Collegamento della batteria non ottimale.	Controllare i collegamenti della batteria.
	La tensione di assorbimento è stata impostata su un livello sbagliato (troppo basso).	Regolare la tensione di assorbimento sul valore corretto.
	La tensione di mantenimento è stata impostata su un livello sbagliato (troppo basso).	Regolare la tensione di mantenimento sul valore corretto.
	Il tempo di carica disponibile è troppo breve perché la batteria possa caricarsi completamente.	Selezionare un tempo di carica o una corrente di carica superiore.

	Il tempo di assorbimento è troppo breve. Nel caso della carica adattiva ciò può dipendere da una corrente di carica eccessivamente elevata rispetto alla capacità della batteria che rende insufficiente il tempo della prima fase di carica.	Ridurre la corrente di carica o impostare caratteristiche di carica "fixed".
La batteria è sovraccarica.	La tensione di assorbimento è stata impostata su un livello sbagliato (troppo alto).	Regolare la tensione di assorbimento sul valore corretto.
	La tensione di mantenimento è stata impostata su un livello sbagliato (troppo alto).	Regolare la tensione di mantenimento sul valore corretto.
	Cattive condizioni della batteria.	Sostituire la batteria.
	Temperatura della batteria troppo elevata (per scarsa aerazione, temperatura dell'ambiente troppo elevata o corrente di carica troppo alta).	Migliorare l'aerazione, installare le batterie in un ambiente più fresco, ridurre la corrente di carica e collegare il sensore di temperatura.
La corrente di carica va a 0 non appena inizia la fase di assorbimento.	Sensore di temperatura della batteria difettoso.	Scollegare la spina del sensore di temperatura dal EasySolar-II GX. Se dopo circa 1 minuto la funzione di carica riprende a funzionare correttamente, sostituire il sensore di temperatura.
	La batteria è surriscaldata (>+50°C)	Installare la batteria in un ambiente più fresco.
		Ridurre la corrente di carica.
		Verificare che una delle celle della batteria non sia andata in cortocircuito.

11.2 Codici errore di VE.Bus

Un sistema VE.Bus può visualizzare vari codici di errore. Questi codici appaiono sullo schermo frontale del GX. Per interpretare correttamente un codice errore di VE.Bus, si deve fare riferimento ai documenti relativi ai codici errore di VE.Bus - https://www.victronenergy.com/live/ve.bus:ve.bus_error_codes.

Codice	Significato:	Causa/risoluzione:
1	Il dispositivo è spento perché una delle altre fasi del sistema si è spenta.	Controllare la fase non funzionante.
3	Nel sistema è stato trovato un numero di dispositivi superiore o inferiore a quello previsto.	Il sistema non è configurato correttamente. Riconfigurare il sistema. Se l'errore persiste, è possibile che sussista un errore del cavo di comunicazione. Controllare i cavi, quindi spegnere e riaccendere tutte le apparecchiature.
4	Nessun dispositivo di alcun tipo riconosciuto	Controllare i cavi di comunicazione.
5	Sovratensione su AC-out.	Controllare i cavi in CA.
10	Problema di sincronizzazione del tempo di sistema.	Il problema non dovrebbe verificarsi in apparecchiature installate correttamente. Controllare i cavi di comunicazione.
14	Il dispositivo non riesce a trasmettere i dati	Controllare i cavi di comunicazione (possibilità di cortocircuito).
17	Uno dei dispositivi è passato in stato "master" per un guasto al master originario.	Controllare l'unità non funzionante. Controllare i cavi di comunicazione.
18	Si è verificata una sovratensione.	Controllare i cavi in CA.
22	Il dispositivo non può funzionare come "slave".	Il dispositivo è un modello obsoleto ormai inadeguato. Va sostituito.
24	Protezione del sistema di commutazione avviata	Il problema non dovrebbe verificarsi in apparecchiature installate correttamente. Spegnere e riaccendere tutte le apparecchiature. Se il problema persiste verificare l'installazione. Soluzione possibile: aumentare il limite inferiore della tensione di ingresso in CA a 210VCA (impostazioni di fabbrica: 180VCA)
25	Incompatibilità di firmware. Il firmware di uno dei dispositivi collegati non è sufficientemente aggiornato per operare con questo dispositivo.	1) Spegnere tutte le apparecchiature. 2) Accendere il dispositivo che dà il messaggio di errore. 3) Accendere uno per volta tutti gli altri dispositivi, finché non riappare il messaggio di errore. 4) Aggiornare il firmware dell'ultimo il dispositivo acceso.
26	Errore interno.	Non dovrebbe verificarsi. Spegnere e riaccendere tutte le apparecchiature. Se il problema persiste contattare Victron Energy.

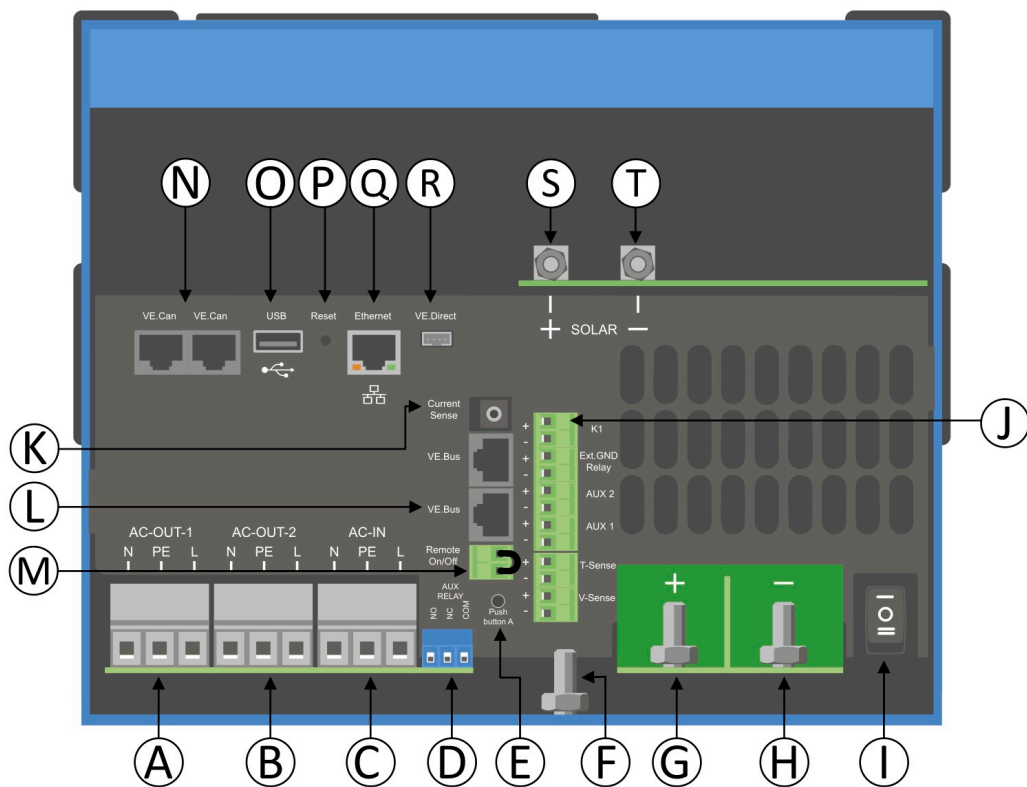
12. Dati tecnici

EasySolar-II GX	INVERTER/CARICABATTERIE
PowerControl e PowerAssist	sì
Commutatore di trasferimento	32A
Massima corrente CA di ingresso	32A
Uscita ausiliaria	32A
INVERTER	
Intervallo tensione di ingresso	38 – 66V
Uscita	Tensione di uscita: 230 VCA ± 2% Frequenza: 50 Hz ± 0,1% (1)
Potenza di uscita continua a 25°C (3)	3000VA / 2400W
Potenza di uscita continua a 40°C / 65°C	2200W / 1700W
Max potenza apparente di aliment.	2500VA
Potenza di picco	5500W
Efficienza massima	95%
Alimentazione carico zero	11W
Potenza a vuoto in modalità AES	7 W
Alimentazione carico zero in modalità Search	2W
CARICABATTERIE	
Ingresso CA	Intervallo tensione di ingresso: 187-265VCA Frequenza di ingresso : 45-65Hz
Tensione di carica "assorbimento"	57,6V
Tensione di carica "mantenimento"	55,2V
Modalità conservazione	52,8V
Corrente di carica max della batteria (4)	35A
Sensore di temperatura batteria	Sì
Relè programmabile (5)	Sì
Protezione (2)	a - g
Porta di comunicazione VE.Bus	Per funzionamento parallelo e trifase, controllo a distanza e integrazione di sistema
Usò generico porta di com.	Sì, 2x
SMARTSOLAR MPPT 250/70-Tr	
Modello	SmartSolar MPPT 250/70-Tr
Corrente massima di uscita	70A
Potenza FV max.	4000W
Massima tensione FV a circuito aperto	250V
Efficienza massima	98%
Autoconsumo	20mA
Tens. di carica in "assorbimento", predefinita	57,6V
Tens. di carica in "mantenimento", Impostazione	55,2V
Protezione (2)	a-e
GENERALE	
Interfacce	Porta BMS-Can (VE.Can non supportato), USB, Ethernet, VE.Direct, Wi-Fi
Accensione-spegnimento remoto	Sì
Intervallo temperatura di esercizio	da -40 a +65°C (raffreddamento a ventola)
Umidità (senza condensa):	max 95%
CARCASSA	
Materiale e colore	Acciaio, blu RAL 5012
Categoria protezione	IP21
Collegamento batteria	Bulloni M8
Connessione fotovoltaica	Bulloni M6
Collegamento in CA 230V	Viti terminali 13 mm ² (6 AWG)
Peso	26kg
Dimensioni (axlpx)	506 x 275 x 147 mm
NORMATIVE	
Sicurezza	EN-IEC 60335-1, EN-IEC 60335-2-29 EN-IEC 62109-1, EN-IEC 62109-2
Emissioni / Inalterabilità	EN 55014-1, EN 55014-2 EN-IEC 61000-3-2, EN-IEC 61000-3-3 IEC 61000-6-1, IEC 61000-6-2, IEC 61000-6-3
Anti isolamento	Vedere il nostro sito web
1) Può essere regolato a 60 Hz 2) Password: a) corto circuito in uscita b) sovraccarico c) tensione batteria troppo elevata d) tensione batteria troppo bassa e) temperatura troppo elevata f) 230 VCA su uscita inverter g) tensione di ondulazione di ingresso troppo elevata	3) Carico non lineare, fattore di cresta 3:1 4) A una temperatura ambiente di 25°C 5) Relè programmabile che può essere impostato in funzione di allarme generale, sotto tensione CC o avvio/arresto generatore. CA nominale: 230V / 4A, CC nominale: 4A fino a 35VCC e 1A fino a 60VCC

12. DATI TECNICI - Dispositivo GX

Dispositivo GX	INTERFACCIA UTENTE
Mostra	Display a 2x16 caratteri
Console Remota	sì
Cicalino	sì
Porte di comunicazione Victron	
Porte VE.Direct (sempre isolate)	1
Porta BMS-Can dedicata (VE.Can non	2 connettori RJ45 paralleli - isolati
VE.Bus	2 connettori RJ45 paralleli - isolati
Prodotti che non sono di Victron	
Batterie Canbus-BMS	Molte marche di batterie. Vedere qui per ulteriori dettagli
Inverter FV Fronius	Vedere qui per ulteriori dettagli
Inverter FV SMA	Vedere qui per ulteriori dettagli
Inverter FV ABB	Vedere qui per ulteriori dettagli
Inverter FV SolarEdge	Vedere qui per ulteriori dettagli
COMUNICAZIONE	
USB	1 Porta host USB - non isolata
Ethernet	Connettore RJ45 10/100
Wi-Fi	integrato
Bluetooth Smart	no
Fessura scheda Micro SD	no
Porta CAN-bus secondaria	no
Porta VE.Can	no
RS485 integrato	no
IO	
Relè programmabile ⁽⁷⁾	n. d.
Entrate livello del serbatoio resistive	no
Entrate rilevamento temperatura	no
Entrate digitali	no
PRESTAZIONI	
CPU	quad core
RAM	512MB
Num. max. dispositivi VE.Direct ⁽¹⁾	25
CPU	quad core
ALTRO	
Tensione di alimentazione	alimentata internamente, non c'è alimentazione esterna
Montaggio	Integrato
Temperatura di esercizio	da -20 a +50°C
Orologio a batteria	sì

- APPENDIX A:** Connection overview
BIJLAGE A: Overzicht aansluitingen
ANNEXE A : Vue d'ensemble des connections
ANHANG A: Übersicht Anschlüsse
APÉNDICE A: Conexiones generales
APPENDIX A: Anslutningsöversikt
APPENDICE A: Panoramica dei collegamenti



EN:

A	Load connection. AC-OUT-1 Left to right: N (neutral), PE (earth/ground), L (phase)
B	Load connection. AC-OUT-2 Left to right: N (neutral), PE (earth/ground), L (phase)
C	AC input. AC-IN Left to right: N (neutral), PE (earth/ground), L (phase)
D	Alarm contact: left to right NO, NC, COM.
E	Start without Assistants: Press and hold this button when starting
F	Primary ground connection M6 (PE)
G	M8 battery positive connection
H	M8 battery minus connection
I	Switch: -:On, 0:Off, =:charger only
J	Terminals top to bottom: 1. 12V 100mA 2. Programmable contact K1 open collector 70V 100mA 3. External ground relay + 4. External ground relay - 5. Aux input 1 + 6. Aux input 1 - 7. Aux input 2 + 8. Aux input 2 - 9. Temperature sense + 10. Temperature sense - 11. Battery voltage sense + 12. Battery voltage sense -
K	External current sensor
L	2x RJ45 VE-BUS connector for remote control and/or parallel / three-phase operation
M	Connector for remote switch: Short to switch "on".
N	Dedicated BMS-Can port (VE.Can not supported)
O	USB
P	Reset Button: What is the reset button used for? MCO
Q	Ethernet Port
R	VE.Direct Port
S	Solar Positive M6 Bolt
T	Solar Negative M6 Bolt

NL:

A	Laadaansluiting. AC-OUT-1 N (nul), PE (aarde), L (fase)
B	Laadaansluiting. AC-OUT-2 van links naar rechts: N (nul), PE (aarding), L (fase)
C	AC-ingang: AC-IN van links naar rechts: N (nul), PE (aarding), L (fase)
D	Alarmcontact: van links naar recht NO, NC, COM.
E	Start zonder assistenten: Houd deze knop ingedrukt bij het opstarten
F	Primaire aarde-aansluiting M6 (PE).
G	M8-accu positieve aansluiting.
H	M8-accu min-aansluiting.
I	Schakelaar: -:Aan, 0:Uit, =:alleen acculader
J	Aansluitpunten van boven naar beneden: <ol style="list-style-type: none"> 1. 12 V 100 mA 2. Programmeerbaar contact K1 open collector 70 V 100 mA 3. Externe aardingsrelais + 4. Externe aardingsrelais - 5. Hulpingang 1 + 6. Hulpingang 1 - 7. Aux input 2 + 8. Aux input 2 - 9. Temperatuursdetectie + 10. Temperatuursdetectie - 11. Accuspanningsdetectie + 12. Accuspanningsdetectie -
K	Externe stroomsensor
L	2x RJ45 VE-BUS aansluiting voor afstandsbediening en/of parallelle/driefasige bediening
M	Aansluiting voor externe schakelaar: Kort om "aan" te schakelen.
N	Aangewezen BMS-Can-poort (VE.Can niet ondersteund)
O	usb
P	Resetknop: Waarvoor wordt de resetknop gebruikt? MCO
Q	Ethernetpoort
R	VE.Direct-poort
S	M6 Plus-zonnebout
T	M6 Min-zonnebout

FR :

A	Connexion de la charge. AC-OUT-1 de gauche à droite: N (neutre), PE (masse/terre), L (phase)
B	Connexion de la charge. AC-OUT-2 De gauche à droite : N (neutre), PE (terre/masse), L (phase)
C	Entrée CA. AC-IN De gauche à droite : N (neutre), PE (terre/masse), L (phase)
D	Contact d'alarme : de gauche à droite NO, NC, COM.
E	Commencez sans assistants : Appuyez et maintenez ce bouton lors du démarrage
F	Connexion primaire à la terre avec boulon M6 (PE)
G	Connexion positive de batterie M8.
H	Connexion négative de batterie M8.
I	Interrupteur : -:On, 0:Off, =:chargeur uniquement
J	Bornes de haut en bas : <ol style="list-style-type: none"> 1. 12V 100mA 2. Contact de relais programmable K1 collecteur ouvert 70 V 100 mA 3. Relai de terre externe + 4. Relai de terre externe - 5. Entrée aux. 1 + 6. Entrée aux. 1 - 7. Entrée aux. 2 + 8. Entrée aux. 2 - 9. Sonde de température + 10. Sonde de température - 11. Sonde de tension de batterie + 12. Sonde de tension de batterie -
K	Sonde de courant externe
L	2 connecteurs RJ45 VE-BUS pour commande à distance et/ou fonctionnement en parallèle / triphasé
M	Connecteur pour l'interrupteur à distance : Court-circuiter pour allumer (On).
N	Port BMS-Can dédié (VE.Can non pris en charge)
O	USB
P	Bouton de réinitialisation : À quoi sert le bouton de réinitialisation ? MCO
Q	Port Ethernet
R	Port VE.Direct
S	Goujon solaire M6 positif
T	Goujon solaire M6 négatif



victron energy

DE:

A	Lastanschluss AC-OUT-1 Von links nach rechts: N (neutral), PE (Erde/Masse), L (Phase)
B	Lastanschluss AC-OUT-2 Links nach rechts: N (neutral), PE (Erde/Masse), L (Phase)
C	AC-Eingang. AC-IN Links nach rechts: N (neutral), PE (Erde/Masse), L (Phase)
D	Alarmkontakt: von links nach rechts NO, NC, COM.
E	Ohne Assistenten starten: Halten Sie diese Taste beim Start gedrückt.
F	Primärer Erdungsanschluss M6 (PE)
G	M8 Plusanschluss der Batterie
H	M8 Minusanschluss der Batterie
I	Schalter: -:Ein, 0:Aus, =:nur Ladegerät
J	Klemmen von oben nach unten: <ol style="list-style-type: none"> 1. 12 V 100 mA 2. Programmierbarer Kontakt K1 offener Kollektor 70 V 100 mA 3. Externes Erdungsrelais + 4. Externes Erdungsrelais - 5. Aux Input 1 + 6. Aux Input 1 - 7. Aux Input 2 + 8. Aux Input 2 - 9. Temperatursensor + 10. Temperatursensor - 11. Batteriespannungssensor + 12. Batteriespannungssensor -
K	Externer Stromsensor
L	2x RJ45-VE-BUS-Stecker für die Fernsteuerung und/oder Parallel- / 3-Phasenbetrieb.
M	Stecker für Fernbedienungsschalter: Kurzschluss auslösen zum "Ein"-schalten
N	Dedizierter BMS-Can-Port (VE.Can nicht unterstützt)
O	USB
P	Rückstellknopf: Wofür wird der Rückstellknopf verwendet? MCO
Q	Ethernet-Anschluss
R	VE.Direct Anschluss
S	Solar Plus M6 Schraube
T	Solar Minus M6 Schraube

ES:

A	Conexión de la carga. AC-OUT-1 De izquierda a derecha: N (neutro), PE (tierra/masa), L (fase)
B	Conexión de la carga. AC-OUT-2 De izquierda a derecha: N (neutro), PE (tierra), L (fase)
C	Entrada de CA. AC-IN De izquierda a derecha: N (neutro), PE (tierra), L (fase)
D	Contacto de la alarma: de izquierda a derecha NO, NC, COM.
E	Inicio sin Asistentes: Mantenga pulsado este botón al iniciar
F	Conexión a tierra primaria M6 (PE)
G	Conexión positivo batería M8.
H	Conexión negativo batería M8.
I	Conmutador: -:On, 0:Off, =:cargador solamente
J	Terminales de arriba a abajo: <ol style="list-style-type: none"> 1. 12 V 100 mA 2. Contacto programable K1 colector abierto 70 V 100 mA 3. Relé de puesta a tierra externo + 4. Relé de puesta a tierra externo - 5. Entrada aux 1 + 6. Entrada aux 1 - 7. Entrada aux 2 + 8. Entrada aux 2 - 9. Sensor de temperatura + 10. Sensor de temperatura - 11. Sensor de tensión de la batería + 12. Sensor de tensión de la batería -
K	Sensor de corriente externo
L	2 conectores VE-BUS RJ45 para panel remoto y/o funcionamiento en paralelo o trifásico
M	Conector para conmutador remoto: Puentear para activar.
N	Puerto BMS-Can exclusivo (VE.Can no compatible)
O	USB
P	Botón de reinicio: ¿Para qué se utiliza el botón de reinicio? MCO
Q	Puerto Ethernet
R	Puerto VE.Direct
S	Perno solar positivo M6
T	Perno solar negativo M6

SE:

A	Belastningsanslutning. AC-OUT-1, vänster till höger: N (neutral), PE (jord), L (fas)
B	Belastningsanslutning. AC OUT-2 vänster till höger: N (neutral), PE (jord), L (fas)
C	AC-ingång. AC-IN Vänster till höger: N (neutral), PE (jord), L (fas)
D	Larmkontakt: vänster till höger NC, NO, COM.
E	Start utan assistenter: Tryck ned och håll ned knappen vid start
F	Primär jordanslutning M6 (PE)
G	Dubbelt M8-batteri plusanslutning
H	Dubbelt M8-batteri minusanslutning.
I	Brytare: -:På, 0=Av, =endast laddare
J	Terminaler från ovan till nedan: <ol style="list-style-type: none"> 1. 12 V/100 mA 2. Programmerbar kontakt K1 öppen kollektor 70 V 100 mA 3. Externt jordrelä + 4. Externt jordrelä - 5. Extra ingång 1 + 6. Extra ingång 1 - 7. Extra ingång 2 + 8. Extra ingång 2 - 9. Temperaturkontroll + 10. Temperaturkontroll - 11. Batterispänningskontroll + 12. Batterispänningskontroll -
K	Extern strömsensor
L	2x RJ45 VE-BUS-anslutningsdon för fjärrkontroll och/eller parallell- / trefasdrift
M	Anslutningsdon för fjärrswitch: Kort till switch "på"
N	Dedikerad BMS-Can-port (VE.Can stöds inte)
O	USB
P	Återställningsknapp: Vad används återställningsknappen till? MCO
Q	Ethernetport
R	VE.Direct port
S	Solcellspositiv M6-bult
T	Solcellsnegativ M6-bult

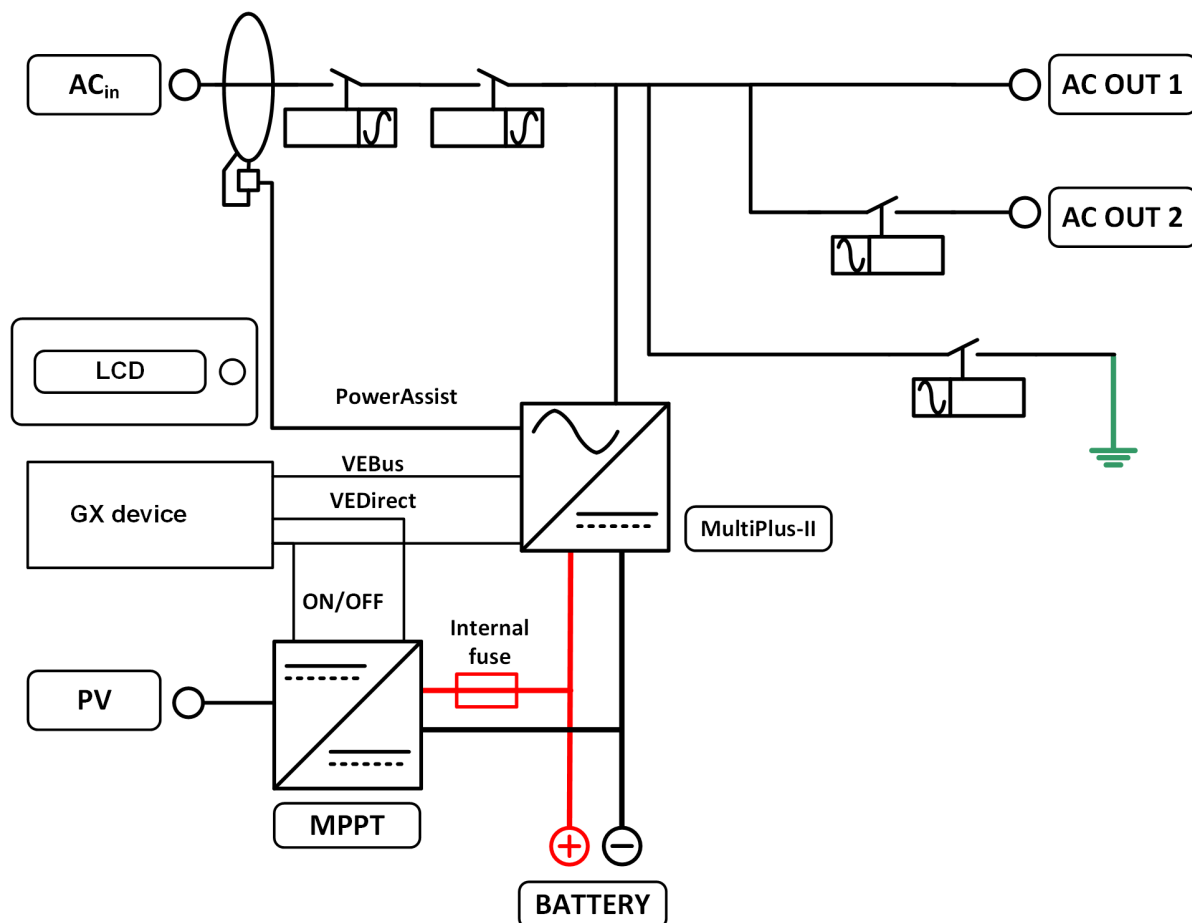
IT:

A	Collegamento del carico. AC-OUT-1 Da sinistra a destra: N (neutro), PE (terra/massa), L (fase)
B	Collegamento del carico. AC-OUT-2 Da sinistra a destra: N (neutro), PE (terra/massa), L (fase)
C	Ingresso CA. AC-IN Da sinistra a destra: N (neutro), PE (terra/massa), L (fase)
D	Contatto allarme: da sinistra a destra NO, NC, COM.
E	Avvio senza Assistente: Tenere premuto questo pulsante all'avvio
F	Collegamento primario di terra M6 (PE)
G	Collegamento positivo della batteria M8
H	Collegamento negativo della batteria M8
I	Interruttore: -:On, 0:Off, =:charger only
J	Morsetti dall'alto in basso: <ol style="list-style-type: none"> 1. 12V 100mA 2. Contatto programmabile K1 collettore aperto 70V 100mA 3. Relè di massa esterno + 4. Relè di massa esterno - 5. Ingresso aux 1+ 6. Ingresso aux 1- 7. Ingresso aux 2+ 8. Ingresso aux 2- 9. Sensore temperatura + 10. Sensore temperatura - 11. Rilevamento tensione batteria + 12. Rilevamento tensione batteria -
K	Sensore corrente esterno
L	2x connettori RJ45 VE-BUS per controllo remoto e/o funzionamento parallelo / trifase
M	Connettore per interruttore remoto: Corto per "accendere".
N	Porta BMS-Can dedicata (VE.Can non supportato)
O	USB
P	Pulsante Reset: Come si usa il pulsante di reset? MCO
Q	Porta Ethernet
R	Porta VE.Direct
S	Bullone M6 polo positivo solare
T	Bullone M6 polo negativo solare



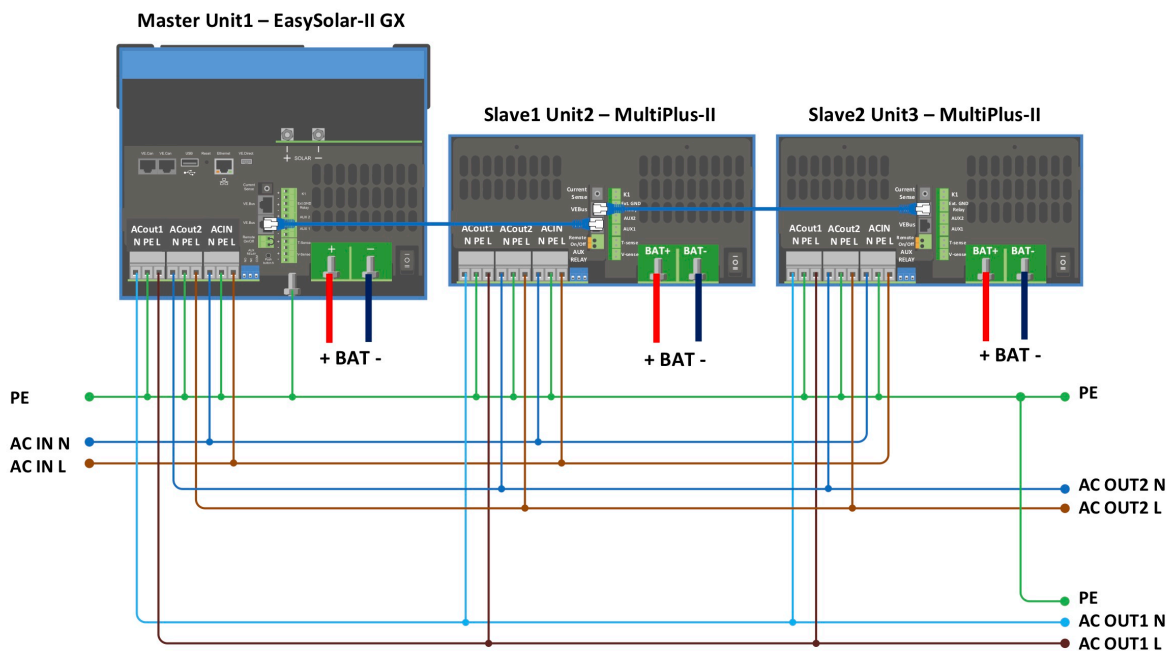
victron energy

APPENDIX B: Block diagram
 BIJLAGE B: Blokdiagram
 ANNEXE B : Schéma bloc
 ANHANG B: Blockschaltbild
 APÉNDICE B: Diagrama de bloques
 APPENDIX B: Blockdiagram
 APPENDICE B: Diagramma di blocco:



* See table in Chapter 4.2 'Recommended DC fuse'.
 * Zie de tabel in Hst 4.2 "Aanbevolen DC zekering"
 * Voir le tableau du Chapitre 4.2 « Fusible CC recommandé ».
 * Beachte Tabelle in Kapitel 4.2 "Empfohlene DC-Sicherung".
 * Véase la tabla del Capítulo 4.2 "Fusible CC recomendado".
 * Se tabellen i avsnitt 4.2 'rekommenderad DC-säkring'.
 * Vedere la tabella nel capitolo 4.2 'Fusibile CC consigliato'.

APPENDIX C: Parallelconnection
BIJLAGE C: Parallele aansluiting
ANNEXE C : Connexion en parallèle
ANHANG C: Parallelbetrieb
APÉNDICE C: Conexión en paralelo
APPENDIX C: Parallellanslutning
APPENDICE C: Connessione in parallelo



Additional conditions are required for parallel systems - please read further specific documentation here - https://www.victronenergy.com/live/ve.bus:manual_parallel_and_three_phase_system

Voor parallele systemen zijn aanvullende voorwaarden zijn vereist - lees hier verdere specifieke documentatie - https://www.victronenergy.com/live/ve.bus:manual_parallel_and_three_phase_systems

Des conditions supplémentaires sont requises pour les systèmes parallèles - veuillez lire la documentation spécifique ici - https://www.victronenergy.com/live/ve.bus:manual_parallel_and_three_phase_system

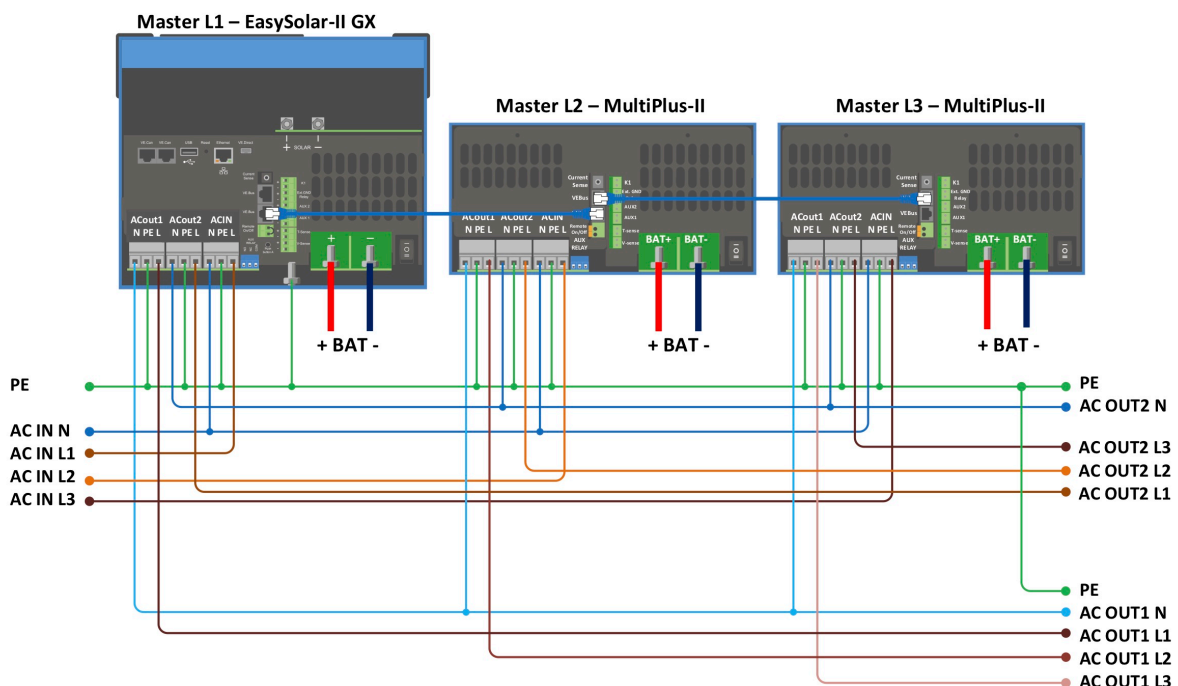
Für parallele Systeme sind zusätzliche Bedingungen erforderlich - bitte lesen Sie weitere spezifische Dokumentationen hier - https://www.victronenergy.com/live/ve.bus:manual_parallel_and_three_phase_system

Para sistemas en paralelo se requieren condiciones adicionales - puede leer más sobre esto en la siguiente documentación específica - https://www.victronenergy.com/live/ve.bus:manual_parallel_and_three_phase_system

Sono necessarie ulteriori condizioni per i sistemi in parallelo; si prega di leggere ulteriori specifici documenti qui - https://www.victronenergy.com/live/ve.bus:manual_parallel_and_three_phase_systems

Ytterligare villkor krävs för parallellsystem - läs mer specifik dokumentation här - https://www.victronenergy.com/live/ve.bus:manual_parallel_and_three_phase_system

APPENDIX D: Three phase connection
BIJLAGE D: Driefase-aansluiting
ANNEXE D : Configuration triphasée
ANHANG D: Drei Phasen-Betrieb
APÉNDICE D: Conexión trifásica
APPENDIX D: Trefasanslutning
APPENDICE D: Connessione trifase



Additional conditions are required for three phase systems - please read further specific documentation here - https://www.victronenergy.com/live/ve.bus:manual_parallel_and_three_phase_systems

Voor driefasensystemen zijn aanvullende voorwaarden vereist - lees hier meer specifieke documentatie - https://www.victronenergy.com/live/ve.bus:manual_parallel_and_three_phase_systems

Des conditions supplémentaires sont requises pour les systèmes triphasés - veuillez lire la documentation spécifique ici - https://www.victronenergy.com/live/ve.bus:manual_parallel_and_three_phase_systems

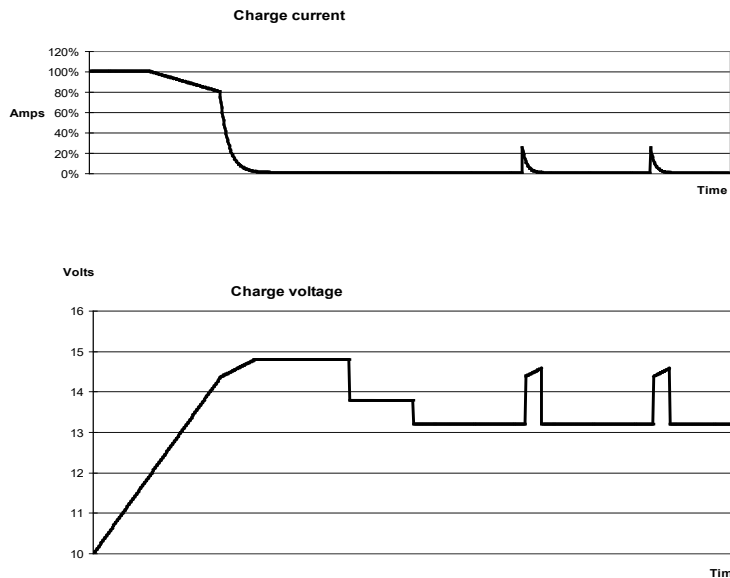
Zusätzliche Bedingungen sind für Dreiphasensysteme erforderlich - bitte lesen Sie weitere spezifische Dokumentationen hier - https://www.victronenergy.com/live/ve.bus:manual_parallel_and_three_phase_systems

Para sistemas trifásicos se requieren condiciones adicionales - lea más sobre esto en la siguiente documentación específica - https://www.victronenergy.com/live/ve.bus:manual_parallel_and_three_phase_systems

Sono necessarie ulteriori condizioni per i sistemi trifase; si prega di leggere ulteriori specifici documenti qui - https://www.victronenergy.com/live/ve.bus:manual_parallel_and_three_phase_systems

Ytterligare villkor krävs för trefasssystem - läs mer specifik dokumentation här - https://www.victronenergy.com/live/ve.bus:manual_parallel_and_three_phase_systems

BIJLAGE E:	Oplaad algoritme
ANNEXE E :	Algorithme de charge
ANHANG E:	Ladealgorithmus
APÉNDICE E:	Algoritmo de carga
APPENDIX E:	Laddningsalgoritm
APPENDICE E:	Algoritmo di carica



4-stage charging:

Bulk

Entered when charger is started. Constant current is applied until nominal battery voltage is reached, depending on temperature and input voltage, after which constant power is applied up to the point where excessive gassing is starting (28.8V resp. 57.6V, temperature compensated).

Battery Safe

The applied voltage to the battery is raised gradually until the set Absorption voltage is reached. The Battery Safe Mode is part of the calculated absorption time.

Absorption

The absorption period is dependent on the bulk period. The maximum absorption time is the set Maximum Absorption time.

Float

Float voltage is applied to keep the battery fully charged

Storage

After one day of float charge the output voltage is reduced to storage level. This is 26.4V resp. 52.8V (for 24V and 48V charger). This will limit water loss to a minimum when the battery is stored for the winter season.

After an adjustable time (default = 7 days) the charger will enter Repeated Absorption-mode for an adjustable time (default = one hour) to 'refresh' the battery.

4-fase-lading:

Bulk

Ingevoerd wanneer de lader wordt opgestart. Constante stroom wordt toegepast totdat de nominale accuspanning is bereikt, afhankelijk van temperatuur en ingangsspanning, waarna constant vermogen wordt toegepast tot het punt waarbij overmatige gasvorming begint (28,8 V resp. 57,6V, temperatuurgecompenseerd).

Battery Safe:

De aangebrachte spanning op de accu wordt geleidelijk verhoogd totdat de ingestelde Absorptiespanning is bereikt. De Battery Safe-modus maakt deel uit van de berekende absorptietijd.

Absorptie

De absorptieperiode is afhankelijk van de bulk-periode. De maximale absorptietijd is de ingestelde maximale absorptietijd.

Druppel

Druppelspanning wordt toegepast om de accu volledig opgeladen te houden

Opslag

Na één dag druppeladen wordt de uitgangsspanning gereduceerd tot opslagniveau. Dit is 26,4 V resp. 52,8 V (voor 24 V en 48 V lader). Dit beperkt het waterverlies tot een minimum wanneer de accu is opgeslagen voor het winterseizoen.

Na een instelbare tijd (standaard = 7 dagen) zal de lader in de Herhaalde Absorptie-modus gaan voor een instelbare tijd (standaard = één uur) om de accu te "verfrissen".

Charge en 4 étapes :

Bulk

Entré au démarrage du chargeur. Un courant continu est appliqué jusqu'à ce que la tension nominale de la batterie soit atteinte, en fonction de la température et de la tension d'entrée, après quoi une puissance constante est appliquée jusqu'au point où un gazage excessif débute (28,8V et 57,6V resp., température corrigée).

Battery Safe

La tension appliquée à la batterie augmente de manière progressive jusqu'à ce que la tension d'absorption soit atteinte. Le mode « Battery safe » fait partie de la durée d'absorption calculée.

Absorption

La période d'absorption dépend de la période Bulk. Le temps d'absorption maximum est le temps d'absorption maximum défini.

Float

La tension Float est appliquée pour maintenir la batterie complètement chargée.

Tension

Après un jour de charge Float, la tension de sortie est réduite à un niveau de stockage. Ce qui représente resp 26,4V et 52,8V (pour un chargeur de 24V et 48V). Ceci limitera au minimum les pertes d'eau quand la batterie est stockée durant la saison hivernale.

Après un certain temps qui peut être défini (par défaut = 7 jours), le chargeur va entrer en mode Absorption répétée pour une période de temps qui peut aussi être ajustée (par défaut = 1 heure) pour « rafraîchir » la batterie.

4-stufiges Laden:**Bulk**

Eingeleitet, wenn Ladegerät gestartet wird. Konstantstrom wird zugeführt, bis die Batterie-Nennspannung in Abhängigkeit von Temperatur und Eingangsspannung erreicht ist, danach wird konstante Leistung bis zu dem Punkt angelegt, an dem eine übermäßige Begasung beginnt (28,8V bzw. 57,6V, temperaturkompensiert).

Battery Safe

Die an der Batterie anliegende Spannung wird schrittweise erhöht, bis die eingestellte Konstantspannung erreicht wird. Der Battery Safe Mode ist Teil der berechneten Absorptionszeit.

Konstantspannungsmodus

Die Konstantspannungsdauer hängt von der Konstantstromdauer ab. Die maximale Konstantspannungsdauer ist die eingestellte Maximale Konstantspannungsdauer.

Erhaltungsspannung

Die Ladeerhaltungsspannung wird dazu genutzt, um die Batterie im voll aufgeladenen Zustand zu halten.

Lagermodus

Nach einem Tag in der Erhaltungsladungsphase wird die Ausgangsspannung auf das Niveau der Lagerungsspannung gesenkt. Dies sind 26,4V bzw. 52,8V (für 24V und 48V Ladegeräte). Dadurch wird der Wasserverlust weitestgehend minimiert, wenn die Batterie für den Winter eingelagert wird. Nach einem regelbaren Zeitraum (Voreinstellung = 7 Tage) schaltet das Ladegerät für einen einstellbaren Zeitraum (Voreinstellung = eine Stunde) in den wiederholten Konstantspannungsmodus, um die Batterie „frisch“ zu halten.

Carga de 4 etapas:**Carga inicial**

Empieza al arrancar el cargador. Se aplica una corriente constante hasta alcanzar la tensión nominal de la batería, según la temperatura y la tensión de entrada, tras lo cual, se aplica una potencia constante hasta el punto en que empiece un gaseado excesivo (28,8 V y 57,6 V resp. temperatura compensada).

BatterySafe

La tensión aplicada a la batería aumenta gradualmente hasta alcanzar la tensión de absorción establecida. El modo BatterySafe forma parte del tiempo de absorción calculado.

Absorción

El periodo de absorción depende del periodo de carga inicial. El tiempo máximo de absorción máximo es el tiempo de absorción máximo establecido.

Flotación

La tensión de flotación se aplica para mantener la batería completamente cargada.

Almacenamiento

Después de un día de carga flotación, se reduce la tensión de salida a nivel de almacenamiento. Esto es 26,4 V resp. 52,8 V (para cargadores de 24 V y 48 V). Esto mantendrá la pérdida de agua al mínimo, cuando la batería se almacene para la temporada de invierno. Tras un periodo de tiempo ajustable (por defecto = 7 días), el cargador entrará en modo "Repeated Absorption" (absorción repetida) durante un periodo de tiempo también ajustable (por defecto = 1 hora) para "refrescar" la batería.

4-stegsladdning:**Bulk**

Anges när laddaren är igång. Konstant ström avges till dess att den nominella batterispänningen uppnås, beroende på temperatur- och ingångsspänningen, och därefter avges konstant kraft upp till den punkt då det börjar bildas för hög gasning (28,8 V och 57,6 V respektive, med kompenserad temperatur).

Battery Safe

Spänningen som tillämpas på batteriet ökas gradvis till dess att fastställd absorptionspänning uppnås. Läget Battery Safe är en del av den beräknade absorptionsstiden.

Absorption

Absorptionsperioden beror på bulkperioden. Den maximala absorptionsstiden är den fastställda maximala absorptionsstiden.

Float

Floatspänning tillämpas för att hålla batteriet fulladdat

Förvaring

Efter en dags floatladdning minskar utgångsspänningen till förvaringsnivå. Det är 26,4V resp. 52,8V (för 24V och 48V laddare). Detta begränsar vattenförlusten till ett minimum när batteriet förvaras under vintersäsongen.

Efter en inställningsbar tidsperiod (standard = 7 dagar) går laddaren in i upprepat absorptionsläge under en inställningsbar tid (standard = en timme) för att "fräscha upp" batteriet.

Carica a 4 fasi:**Prima fase**

Si attiva all'avviamento del caricabatterie. La corrente costante è applicata finché viene raggiunta la tensione nominale della batteria, in base alla temperatura e alla tensione di ingresso, dopodiché l'alimentazione costante è applicata al punto in cui inizia il degassaggio (28,8V e 57,6V rispettivamente, temperatura compensata).

Battery Safe

La tensione applicata alla batteria è aumentata gradualmente finché si raggiunge la tensione di assorbimento. La modalità Battery Safe è parte del tempo di assorbimento calcolato.

Assorbimento

Il periodo di assorbimento dipende dal periodo di prima fase di carica. Il periodo di assorbimento max è impostato sul tempo di assorbimento max.

Mantenimento

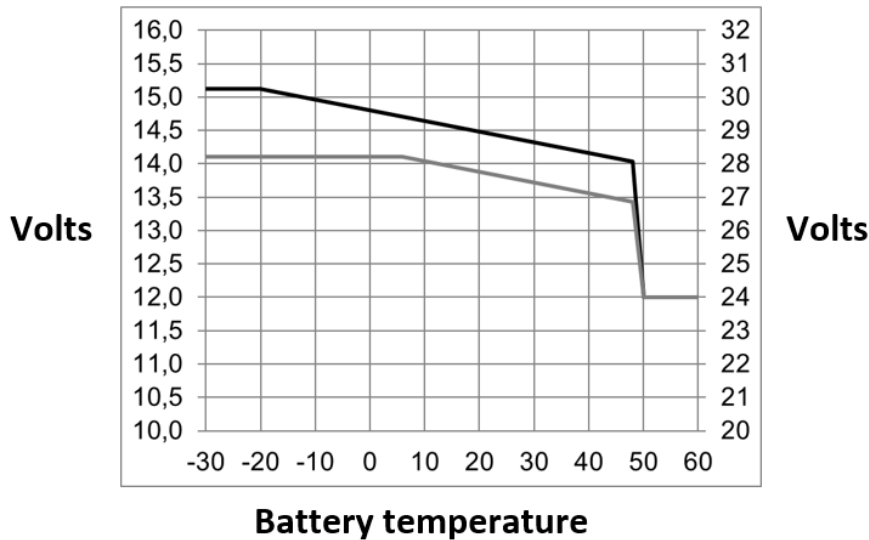
La tensione di mantenimento viene applicata per mantenere la batteria completamente carica.

Magazzinaggio

Dopo un giorno di carica di mantenimento, la tensione di uscita viene ridotta al livello di accumulo. Tale carica è di 26,4V e 52,8V rispettivamente (per caricabatterie da 24V e 48V). Questo limiterà la perdita di acqua al minimo, quando la batteria è stoccata per la stagione invernale. Dopo un periodo di tempo regolabile (default = 7 giorni), il caricatore entra in modalità di assorbimento ripetuto per un tempo regolabile (default = un'ora) per aggiornare la batteria.



APPENDIX F: Temperature compensation
BIJLAGE F: Temperatuurcompensatie
ANNEXE F : Compensation de température
APPENDIX F: Temperaturkompensation
APÉNDICE F: Compensación de temperatura
APPENDIX F: Temperaturkompensation
APPENDICE F: Compensazione della temperatura



EN Default output voltages for Float and Absorption are at 25°C.
 Reduced Float voltage follows Float voltage and Raised Absorption voltage follows Absorption voltage.
 In adjust mode temperature compensation does not apply.

NL De standaarduitgangsspanningen voor druppel- en absorptieladen zijn 25°C.
 Een verlaagde druppelladingsspanning volgt na de druppelladingsspanning en de verhoogde absorptiespanning volgt na de absorptiespanning.
 In de aanpassingsmodus geldt de temperatuurcompensatie niet.

FR Les tensions de sortie par défaut pour Float et Absorption se trouvent à 25°C.
 Une tension Float Réduite suit une tension Float, et une tension d'Absorption Augmentée suit une tension d'Absorption.
 En mode d'ajustement, la compensation de température ne s'applique pas.

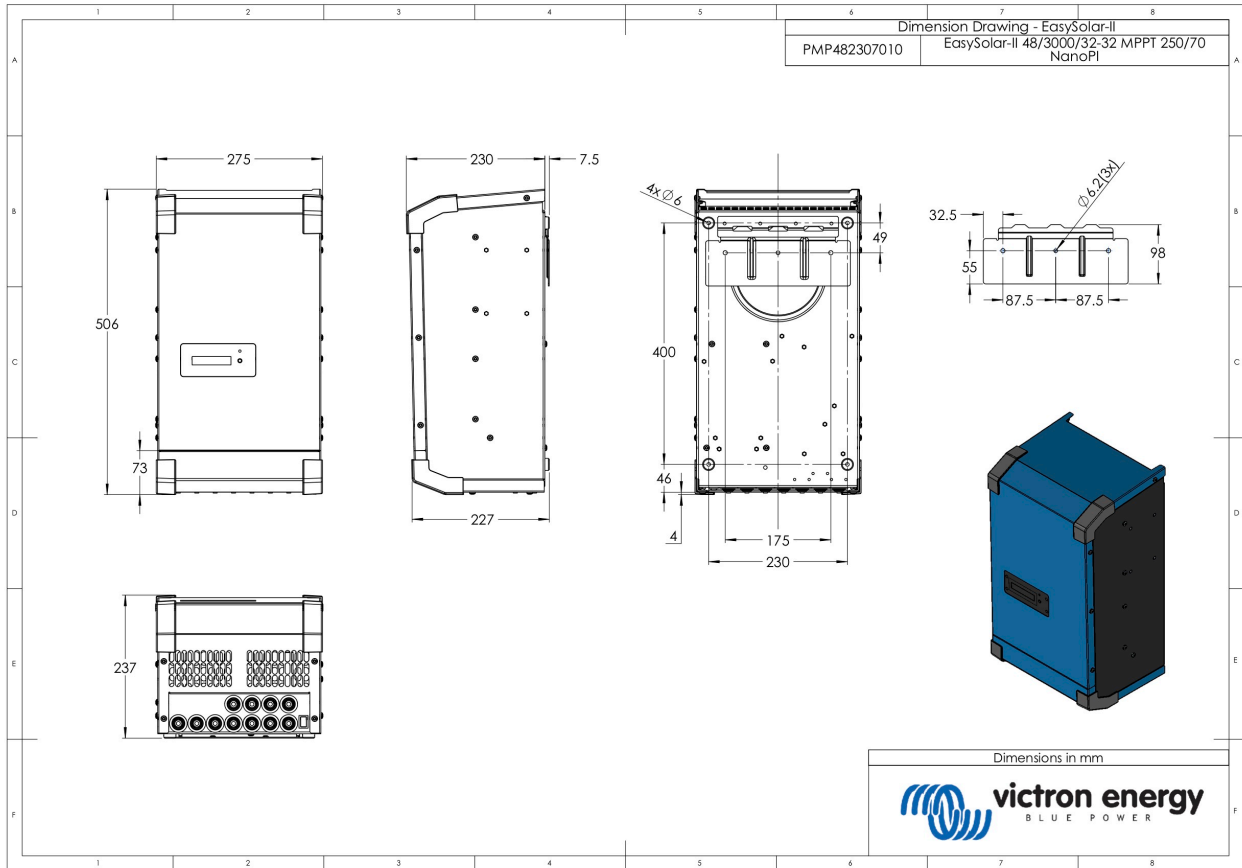
DE Die standardmäßigen Ausgangsspannungen für den Ladeerhaltungs- und Konstantspannungsmodus gelten bei 25°C.
 Reduzierte Ladeerhaltungsspannung folgt auf Ladeerhaltungsspannung und Erhöhte Konstantspannung folgt auf Konstantspannung.
 Im Anpassungsmodus gilt die Temperaturkompensation nicht.

ES Las tensiones de salida por defecto para 'Float' y 'Absorption' están a 25°C.
 La tensión de flotación reducida sigue a la tensión de carga lenta y la tensión de absorción incrementada sigue a tensión de absorción.
 En modo de ajuste la compensación de temperatura no se aplica.

SE Standardutgångsspänningar för float och absorption är vid 25°C.
 Reducerad floatsänning följer floatsänning och höjd absorptionssänning följer absorptionssänning.
 I justerat läge tillämpas inte temperaturkompensation.

IT Le tensioni di uscita predefinite per le modalità mantenimento e assorbimento sono impostate su 25 °C.
 Il Mantenimento ridotto segue la tensione di mantenimento e l'Assorbimento maggiorato segue la tensione di assorbimento.
 Nella modalità di regolazione, la compensazione della temperatura è disabilitata.

APPENDIX G: Dimensions
BIJLAGE G: Afmetingen
ANNEXE G : Dimensions
ANHANG G: Maße
APÉNDICE G: Dimensiones
APPENDIX G: Dimensioner
APPENDICE G: Dimensioni



Victron Energy Blue Power

Distributor:

Serial number:

Version : 02
Date : March 26th, 2020

Victron Energy B.V.
De Paal 35 | 1351 JG Almere
PO Box 50016 | 1305 AA Almere | The Netherlands

General phone : +31 (0)36 535 97 00
E-mail : sales@victronenergy.com

www.victronenergy.com