

**Manual**

EN

**Handleiding**

NL

**Manuel**

FR

**Anleitung**

DE

**Manual**

ES

**Manuale**

IT

Appendix

### **Phoenix Inverter Compact**

12 | 1200 230V    24 | 1200 230V

12 | 1600 230V    24 | 1600 230V



# 1. SAFETY INSTRUCTIONS

## General

Please familiarize yourself with the safety features and instructions by first reading the documentation supplied with this product before using the equipment. This product has been designed and tested in accordance with international standards. The equipment must be used exclusively for the purpose for which it was designed.

### **WARNING: ELECTRIC SHOCK HAZARD.**

The product is used in conjunction with a permanent energy source (battery). Input and/or output terminals may still be dangerously energized, even when the equipment is switched off. Always switch off the AC supply and the battery before carrying out maintenance or servicing the product.

The product has no internal user-serviceable components. Do not remove the front plate or operate the product if any panels have been removed. All servicing must be undertaken by qualified personnel.

Never use the product where there is a risk of gas or dust explosions. Consult the battery manufacturer's information to ascertain that the product is intended for use in conjunction with the battery. Always comply with the battery manufacturer's safety instructions.

WARNING: Do not lift heavy loads without assistance.

## Installation

Read the installation instructions in the installation manual before installing the equipment.

This is a Safety Class I product (supplied with a protective grounding terminal). **The chassis must be grounded.** A grounding point is located on the outside of the product. Whenever it is likely that the grounding protection has been damaged, the product must be turned off and secured against unintended operation; please contact qualified service staff.

Ensure that the DC and AC input cables are fused and fitted with circuit breakers. Never replace a safety component with a different type. Consult the manual to determine the correct component.

Before applying power, ensure that the available power source matches the configuration settings of the product as described in the manual.

Ensure that the equipment is used under the correct ambient conditions. Never operate the product in a wet or dusty environment. Ensure there is adequate free space for ventilation around the product and check that the ventilation vents are not blocked.

Ensure that the required system voltage does not exceed the product's capacity.

## Transport and Storage

Ensure that the mains power and battery leads have been disconnected before storing or transporting the product.

No liability can be accepted for any transport damage if the equipment is shipped in non-original packaging.

Store the product in a dry environment; the storage temperature must be between  $-20^{\circ}\text{C}$  and  $60^{\circ}\text{C}$ .

Consult the battery manufacturer's manual in respect of transport, storage, charging, recharging and disposal of the battery.

## 2. DESCRIPTION

### 2.1 General

#### **SinusMax - Superior engineering**

Developed for professional duty, the Phoenix range of inverters is suitable for the widest range of applications. The design criteria have been to produce a true sine wave inverter with optimised efficiency but without compromise in performance. Employing hybrid HF technology, the result is a top quality product with compact dimensions, light in weight and capable of supplying power, problem-free, to any load.

#### **Extra start-up power**

A unique feature of the SinusMax technology is very high start-up power. Conventional high frequency technology does not offer such extreme performance. Phoenix inverters, however, are well suited to power up difficult loads such as compressors, electric motors and similar appliances.

#### **Parallel and 3-phase operation capability**

Up to 6 inverters can operate in parallel to achieve higher power output. Operation in 3-phase configuration is also possible.

#### **To transfer the load to another AC source: the automatic transfer switch**

If an automatic transfer switch is required, we recommend to using the MultiPlus or Quattro instead. The switch is included in these products and the charger function of the MultiPlus/Quattro can be disabled. Computers and other electronic equipment will continue to operate without disruption because the MultiPlus/Quattro features a very short switchover time (less than 20 milliseconds).

#### **Programmable relay**

The Phoenix Inverter is equipped with a programmable relay, which by default is set as an alarm relay. The relay can be programmed for all kinds of other applications however, for example as a starter relay for a generating set.

#### **Programmable with DIP switches, VE.Net panel or personal computer**

The Phoenix Inverter is supplied ready for use. Three features are available for changing certain settings if desired:

- The most important settings can be changed in a very simple manner, using DIP switches.
- All settings, with exception of the programmable relay, can be changed with a VE.Net panel.
- All settings can be changed with a PC and free of charge software, downloadable from our website [www.victronenergy.com](http://www.victronenergy.com).

### 3. OPERATION

#### 3.1 On/Off Switch

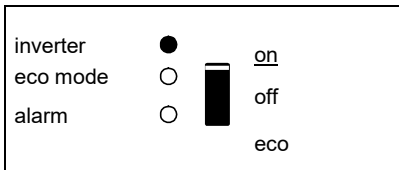
When switched to "on", the product is fully functional. The inverter will come into operation and the LED "inverter on" will light up.

#### 3.2 Remote control

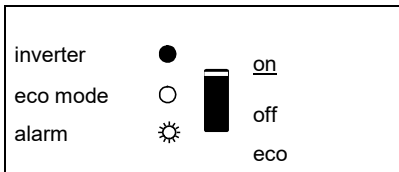
Remote control is possible with a simple on/off switch or with a Phoenix Inverter Control panel.

#### 3.3 LED Indications

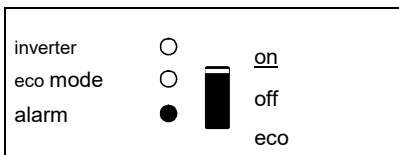
- LED off
- ☀ LED flashes
- LED illuminated



The inverter is switched on and supplies power to the load. Battery operation.



The inverter is switched on and supplies power to the load.  
Pre alarm: overload, or battery voltage low, or inverter temperature high



The inverter is switched off.  
Alarm: overload, or battery voltage low, or inverter temperature high, or DC ripple voltage on battery terminal was too high.



The inverter is switched on "eco mode" and supplies power to the load.

## 4. INSTALLATION



This product should be installed by a qualified electrician.

### 4.1 Location

The product must be installed in a dry and well-ventilated area, as close as possible to the batteries. There should be a clear space of at least 10cm around the appliance for cooling.



Excessively high ambient temperature will result in the following:

Reduced service life.

Reduced charging current.

Reduced peak capacity, or shutdown of the inverter.

Never mount the appliance directly above the batteries.

The product is suitable for wall mounting. For mounting see appendix A. The appliance can be mounted horizontally as well as vertically; vertical mounting is preferable. The vertical position offers optimum cooling.



The interior of the product must remain accessible after installation.

Try and keep the distance between the product and the battery to a minimum in order to minimize cable voltage losses.



For safety purposes, this product should be installed in a heat-resistant environment if it is used with equipment where a substantial amount of power is to be converted. You should prevent the presence of e.g. chemicals, synthetic components, curtains or other textiles, etc., in the immediate vicinity.

## 4.2 Connection of Battery cables

In order to fully utilize the full capacity of the product, batteries with sufficient capacity and battery cables with sufficient cross section should be used. See table.

	24/1200	24/1600	12/1200	12/1600
<b>Preassembled cable length 1.5 m (mm<sup>2</sup>)</b>	<b>16</b>	<b>25</b>	<b>25</b>	<b>35</b>
Recommended cross section (mm <sup>2</sup> )				
1,5 <sup>1</sup> → 5 m	25	35	50	70
5 → 10 m	50	70	100	140

	24/1200	24/1600	12/1200	12/1600
Recommended battery capacity (Ah)	40 – 400	100 – 400	150 – 700	200 – 700

Remark: Internal resistance is the important factor when working with low capacity batteries. Please consult your supplier or the relevant sections of our book “electricity on board”, downloadable from our website.

### Procedure

Proceed as follows to connect the battery cables:



Use an insulated box spanner in order to avoid shorting the battery.  
Avoid shorting the battery cables.

Connect the battery cables: the + (red) and the - (black), to the battery see appendix A. Reverse polarity connection (+ to – and – to +) will cause damage to the product. (Safety fuse inside the Phoenix Inverter Compact can be damaged)  
Secure the nuts tightly in order to reduce the contact resistance as much as possible.



## 4.3 Connection of the AC cabling

This is a Safety Class I product (supplied with a protective grounding terminal).



**The neutral wire of the AC output of this inverter is connected to the chassis.**

This is to ensure proper functioning of a GFCI (or RCCB) to be installed in the AC output of the Inverter.

The chassis of the product must be connected to ground, to the frame (of a vehicle) or the ground plate or hull (of a boat).

### Procedure

The AC output cable can be connected directly to the male-connector at the bottom of the enclosure. (the connector pulls out!)

The terminal points are indicated clearly. From left to right: "N" (neutral), earth, and "L1" (phase).

Use a three-wire cable with a flexible core and a cross section of 1.5 or 2.5 mm<sup>2</sup>.

## 4.4 Optional Connections

A number of optional connections are possible:

### 4.4.1 Remote on/off switch & remote Control panel

The product can be remotely controlled in two ways.

- With an external switch (connection terminal H, see appendix A). Operates only if the switch on the Inverter is set to "on".
- With a Phoenix Inverter Control panel (connected to one of the two RJ48 sockets C, see appendix A). Operates only if the switch on the inverter is set to "on".

**Only one remote control can be connected, i.e. either a switch or a remote control panel.**

### 4.4.2. Programmable relay

The inverters are equipped with a multi-functional relay that by default is programmed as an alarm relay. (VEConfigure software needed to change relay functionality).

#### 4.4.3 Parallel Connection

The inverters can be connected in parallel with several identical devices. To this end, a connection is established between the devices by means of standard RJ45 UTP cables. The system (one or more inverters plus optional control panel) will require subsequent configuration (see Section 5).

In the event of connecting inverters in parallel, the following requirements must be met:

- A maximum of six units connected in parallel.
- Only identical devices may be connected in parallel.
- The DC connection cables to the devices must be of equal length and cross-section.
- If a positive and a negative DC distribution point is used, the cross-section of the connection between the batteries and the DC distribution point must at least equal the sum of the required cross-sections of the connections between the distribution point and the inverters.
- Place the inverters close to each other, but allow at least 10 cm for ventilation purposes under, above and beside the units.
- UTP cables must be connected directly from one unit to the other (and to the remote panel). Connection/splitter boxes are not permitted.
- Only one remote control means (panel or switch) can be connected to the system.

#### 4.4.4 Three-phase operation

The Phoenix Inverter can also be used in 3-phase wye (Y) configuration. To this end, a connection between the devices is made by means of standard RJ45 UTP cables (the same as for parallel operation). The system (Inverters plus an optional control panel) will require subsequently configuration (see Section 5).

Pre-requisites: see Section 4.4.3.

Near the connection terminals an LED illuminates when the relay is activated (refer to S, see appendix A)

Note: the Phoenix Inverter is not suitable for 3-phase delta ( $\Delta$ ) configuration.

## 5. CONFIGURATION



Settings may only be changed by a qualified engineer.  
Carefully read the instructions before changes are made.  
Batteries should be placed in a dry and well-ventilated area during charging.

### 5.1 Standard settings: ready for use

On delivery, the Phoenix inverter is set to standard factory values. In general, these settings are suitable for stand-alone operation.

#### Standard factory settings

Inverter frequency	50 Hz
Inverter voltage	230 VAC
Stand-alone / parallel / 3-phase	stand-alone
Search mode	off
Programmable relay	alarm function

### 5.2 Explanation of settings

#### **Inverter frequency**

Output frequency  
Adjustability: 50Hz; 60Hz

#### **Inverter voltage**

Adjustability: 210 – 245V

#### **Stand-alone / parallel operation / 2-3 phase setting**

Using several devices, it is possible to:

- Increase total inverter power (several devices in parallel).
- Create a split-phase system.
- Create a 3-phase system.

The standard product settings are for standalone operation. For parallel, three phase or split phase operation see section 4.4.3 and 4.4.4.

**Search Mode** (Applicable in stand-alone configuration only)

If search mode is 'on', the power consumption in no-load operation is decreased by approx. 70%. In this mode the Compact, when operating in inverter mode, is switched off in case of no load or very low load, and switches on every two seconds for a short period. If the output current exceeds a set level, the inverter will continue to operate. If not, the inverter will shut down again.

The Search Mode can be set with a DIP switch.

The Search Mode "shut down" and "remain on" load levels can be set with VEConfigure.

The standard settings are:

Shut down: 40 Watt (linear load).

Turn on: 100 Watt (linear load).

**AES (Automatic Economy Switch)**

Instead of the search mode, the AES mode can also be chosen (with help of VEConfigure only).

If this setting is turned 'on', the power consumption in no-load operation and with low loads is decreased by approx. 20%, by slightly 'narrowing' the sinusoidal voltage.

Not adjustable with DIP switches.

Applicable in stand-alone configuration only.

**Programmable relay**

By default, the programmable relay is set as an alarm relay, i.e. the relay will de-energise in the event of an alarm or a pre-alarm (inverter almost too hot, ripple on the input almost too high, battery voltage almost too low).

Not adjustable with DIP switches.

Near the connection terminals an LED illuminates when the relay is activated (refer to S, see appendix A)

## 5.3 Configuration by computer

All settings can be changed by means of a computer or with a VE.Net panel (except for the multi-functional relay and the VirtualSwitch when using VE.Net). Some settings can be changed with DIP switches (see Section 5.2).

For changing settings with the computer, the following is required:

- VEConfigure3 software: can be downloaded free of charge at [www.victronenergy.com](http://www.victronenergy.com).
- A MK3-USB (VE.Bus to USB) interface.

Alternatively, the Interface MK2.2b (VE.Bus to RS232) can be used (RJ45 UTP cable needed).

### 5.3.1 VE.Bus Quick Configure Setup

**VE.Bus Quick Configure Setup** is a software program with which one Compact unit or systems with a maximum of three Compact units (parallel or three phase operation) can be configured in a simple manner. VEConfigure3 forms part of this program. The software free can be downloaded free of charge at [www.victronenergy.com](http://www.victronenergy.com).

### 5.3.2 VE.Bus System Configurator

For configuring advanced applications and/or systems with four or more inverters, **VE.Bus System Configurator** software must be used. The software can be downloaded free of charge at [www.victronenergy.com](http://www.victronenergy.com). VEConfigure3 forms part of this program.

## 5.4 Configuration with a VE.Net panel

To this end, a VE.Net panel and the VE.Net to VE.Bus converter are required.

With VE.Net you can set all parameters, with the exception of the multi-functional relay and the VirtualSwitch.

## 5.5 Configuration with DIP switches

Some settings can be changed with DIP switches

Procedure:

- a) Turn the Compact on, preferably without load.
- b) Set the dipswitches as required.
- c) Store the settings by moving Dip switch 8 to “on” and back to “off”.

### 5.5.1. DIP switch 1 and 2

**Default setting: to operate the product with the “On/Off/Charger Only” switch**

**ds 1: “off”**

**ds 2: “on”**

The default setting is required when using the “On/Off/Charger Only” switch in the front panel.

**Setting for remote operation with a Multi Control Panel:**

**ds 1: “on”**

**ds 2: “off”**

This setting is required when a Multi Control Panel is connected.

The Multi Control panel must be connected to one of the two RJ48 sockets B, see appendix A.

**Setting for remote operation with a 3-way switch:**

**ds 1: “off”**

**ds 2: “off”**

This setting is required when a 3-way switch is connected.

The 3-way switch must be wired to terminal L, see appendix A.

**Only one remote control can be connected, i.e. either a switch or a remote control panel.**

**In both cases the switch on the product itself should be “on”.**

## 5.5.2 Configuration examples

Example 1 is the factory setting (since factory settings are entered by computer, all DIP switches of a new product are set to 'off', except for DS-2).

DS-1 Panel option DS-2 Panel option DS-3 Not used DS-4 Not used DS-5 Frequency DS-6 Search mode DS-7 Not used DS-8 Store setting		DS-1 DS-2 DS-3 DS-4 DS-5 DS-6 DS-7 DS-8		DS-1 DS-2 DS-3 DS-4 DS-5 DS-6 DS-7 DS-8	
Example 1: (factory setting) 1 No panel connected 2 No panel connected 5 Frequency: 50Hz 6 Search mode off 8 store setting: off→ on→ off	Example 2 1 No panel connected 2 No panel connected 5 Frequency: 60Hz 6 Search mode off 8 store setting: off→ on→ off	Example 3 1 Panel connected 2 Panel connected 5 Frequency: 60Hz 6 Search mode on 8 store setting: off→ on→ off			

Store the settings (DS3-DS7) by changing switch ds-8 from off to on, and then back to off. The LED's 'Inverter' and 'eco mode' and 'alarm' will flash four times to indicate acceptance of the settings.

## 6. MAINTENANCE

The Compact does not require specific maintenance. It will suffice to check all connections once a year. Avoid moisture and oil/soot/vapours, and keep the device clean.

## 7. TROUBLE SHOOTING TABLE

Proceed as follows for quick detection of common faults.

Consult your Victron Energy dealer if the fault cannot be resolved.

Problem	Cause	Solution
The inverter fails to operate when switched on.	The battery voltage is too high or too low.	Ensure that the battery voltage is within the correct value.
The inverter fails to operate	Processor in no function-mode.	Switch Front switch off, wait 4 seconds Switch front switch on.
The alarm LED flashes.	Pre-alarm alt. 1. The DC input voltage is low.	Charge the battery or check the battery connections.
The alarm LED flashes	Pre-alarm alt. 2. The ambient temperature is too high.	Place the inverter in a cool and well-ventilated room, or reduce the load.
The alarm LED flashes.	Pre-alarm alt. 3. The load on the inverter is higher than the nominal load.	Reduce the load.
The alarm LED flashes.	Pre-alarm alt. 4. Voltage ripple on the DC input exceeds 1.25Vrms.	Check the battery cables and terminals. Check the battery capacity; increase if necessary.
The alarm LED flashes intermittantly.	Pre-alarm alt. 5. Low battery voltage and excessive load.	Charge the batteries, reduce the load or install batteries with a higher capacity. Use shorter and/or thicker battery cables.
The alarm LED is on	The inverter did cut out following a pre-alarm.	Check the table for the appropriate course of action.



## 8. TECHNICAL DATA

Phoenix Inverter	12 Volt 24 Volt	C 12/1200 C 24/1200	C 12/1600 C 24/1600
<b>INVERTER</b>			
Input voltage range (V DC)		9,5 – 17V	19 – 33V
Output		Output voltage: 230 VAC ± 2% Frequency: 50 Hz ± 0,1% (1)	
Cont. output power at 25°C (VA) (3)		1200	1600
Cont. output power at 25°C (W)		1000	1300
Cont. output power at 40°C (W)		900	1200
Cont. output power at 65°C (W)		600	800
Peak power (W)		2400	3000
Maximum efficiency (%)		92 / 94	92 / 94
Zero-load power (W)		8 / 10	8 / 10
Zero load power in search mode (W)		2 / 3	2 / 3
<b>GENERAL</b>			
Programmable relay (4)		yes	
Protection (2)		a - g	
Common Characteristics		Operating temp. range: -40 to +65°C (fan assisted cooling) Humidity (non condensing): max 95%	
<b>ENCLOSURE</b>			
Common Characteristics		Material & Colour: aluminium (blue RAL 5012) Protection category: IP 21	
Battery-connection		Battery cables of 1.5 meter	
230 V AC-connection		G-ST18i connector	
Weight (kg)		10	
Dimensions (hwxwd in mm)		375x214x110	
<b>STANDARDS</b>			
Safety		EN 60335-1, EN 60335-2-29	
Emission / Immunity		EN 55014-1, EN 55014-2, EN 61000-3-3	

1) Can be adjusted to 60Hz and to 240V

2) Protection

a. Output short circuit

b. Overload

c. Battery voltage too high

d. Battery voltage too low

e. Temperature too high

f. 230VAC on inverter output

g. Input voltage ripple too high

3) Non linear load, crest factor 3:1

4) Programmable relay which can be set for general alarm, DC undervoltage or genset start signal function



# 1. VEILIGHEIDSVOORSCHRIFTEN

## Algemeen

Lees eerst de bij dit product geleverde documentatie, zodat u bekend bent met de veiligheidsaanduidingen en aanwijzingen voordat u de apparatuur in gebruik neemt. Dit product is ontworpen en getest overeenkomstig internationale normen. De apparatuur dient uitsluitend voor de bestemde toepassing te worden gebruikt.

### **WAARSCHUWING: KANS OP ELEKTRISCHE SCHOKKEN.**

Het product wordt gebruikt in combinatie met een permanente energiebron. (batterij) Zelfs als de apparatuur is uitgeschakeld, kan een gevaarlijke elektrische spanning optreden bij de in -en/ of uitgangsklemmen. Schakel altijd de wisselstroomvoeding en de batterij uit voor het plegen van onderhoud.

Het product bevat geen interne onderdelen die door de gebruiker kunnen worden onderhouden. Haal het paneel aan de voorkant er niet af en stel het product niet in werking als niet alle panelen zijn gemonteerd. Al het onderhoud dient door gekwalificeerd personeel te worden uitgevoerd.

Gebruik het product nooit op plaatsen waar gas -of stofexplosies kunnen optreden. Raadpleeg de gegevens van de fabrikant van de batterij om u ervan te verzekeren dat het product bestemd is voor gebruik in combinatie met de batterij. De veiligheidsvoorschriften van de fabrikant van de batterij dienen altijd te worden opgevolgd.

**WAARSCHUWING:** Til geen zware lasten zonder hulp.

## Installatie

Lees de installatievoorschriften in de bedieningshandleiding voordat u de apparatuur inschakelt.

Dit is een product uit veiligheidsklasse I. (dat wordt geleverd met een aardklem ter beveiliging). **Aan de buitenkant van het product bevindt zich een aardingspunt.** Als het aannemelijk is dat de aardbeveiliging is beschadigd, moet het product buiten werking worden gesteld en worden beveiligd tegen iedere onopzettelijke inwerkingstelling; neem contact op met gekwalificeerd onderhoudspersoneel.

Zorg ervoor dat de aansluitkabels zijn voorzien van zekeringen en stroomonderbrekers. Vervang een beveiligingsonderdeel nooit door een ander Typ. Raadpleeg de handleiding voor het juiste onderdeel.

Controleer voordat u het apparaat inschakelt, dat de beschikbare spanningsbron overeenkomt met de configuratie-instellingen van het product zoals beschreven in de handleiding.

Zorg ervoor dat de apparatuur onder de juiste bedrijfsomstandigheden wordt gebruikt. Stel het product nooit in bedrijf in de regen of in een stoffige omgeving. Zorg ervoor dat er altijd voldoende vrije ruimte rondom het product is voor ventilatie en dat de ventilatie-openingen niet zijn geblokkeerd.

Verzeker u ervan dat de vereiste spanning niet hoger is dan de capaciteit van het product.

## **Vervoer en opslag**

Zorg ervoor dat de netspanning en batterijkabels zijn losgekoppeld bij opslag of vervoer van het product.

Er kan geen aansprakelijkheid worden aanvaard voor transportschade indien de apparatuur wordt vervoerd in een andere dan de originele verpakking.

Sla het product op in een droge omgeving; de opslagtemperatuur moet tussen de  $-20^{\circ}\text{C}$  en  $60^{\circ}\text{C}$  liggen.

Raadpleeg de handleiding van de fabrikant van de batterij met betrekking tot vervoer, opslag, opladen, herladen en verwijderen van de batterij.

## 2. BESCHRIJVING

### 2.1 Algemeen

#### **SinusMax – Superieure techniek**

De Phoenix omvormers zijn ontwikkeld voor professioneel gebruik en geschikt voor zeer uiteenlopende toepassingen. Dankzij hybride HF technologie gaan uitzonderlijke specificaties en mogelijkheden gepaard met licht gewicht en geringe afmetingen.

#### **Extra hoog startvermogen**

Een belangrijke eigenschap van de SinusMax technologie is het hoge piekvermogen. De Phoenix omvormers zijn daarom zeer geschikt voor apparaten die een hoog startvermogen vragen zoals compressoren, elektromotoren en airconditioners.

#### **Geschikt voor parallel en voor drie fase bedrijf**

Twee tot zes omvormers of kunnen parallel geschakeld worden.

De omvormers kunnen bovendien in 3 fase configuratie geschakeld worden.

#### **Overschakelen naar een andere voedingsbron: de volautomatische omschakelautomaat**

Indien automatische omschakeling gewenst is, adviseren wij om de MultiPlus of Quattro serie toe te passen. De MultiPlus/Quattro heeft een geïntegreerde omschakel automaat en de laadfunctie kan uitgeschakeld worden. De omschakeltijd van de MultiPlus/Quattro is zo kort dat computers en andere gevoelige apparaten ongestoord blijven functioneren.

#### **Programmeerbaar relais**

De Phoenix omvormer is voorzien van een multifunctioneel relais, dat standaard is geprogrammeerd als alarm relais. Het relais kan echter voor allerlei andere toepassingen geprogrammeerd worden, bijvoorbeeld als start relais voor een aggregaat.

#### **Programmeerbaar met dipswiches, met een VE.Net paneel, en met de PC**

De Phoenix omvormer wordt klaar voor gebruik geleverd. Mocht U sommige instelling willen wijzigen, dan zijn er drie mogelijkheden:

- De belangrijkste instellingen: uiterst eenvoudig, met dipswiches.
- Alle instellingen, met uitzondering van het programmeerbare relais, met een VE.Net paneel.
- Alle instellingen met een PC en gratis software.

### 3. BEDIENING

#### 3.1 On/Off schakelaar

Wanneer de schakelaar op “on” wordt geschakeld werkt het apparaat volledig. De omvormer zal inschakelen en de LED “inverter on” zal gaan branden.

#### 3.2 Afstandsbediening

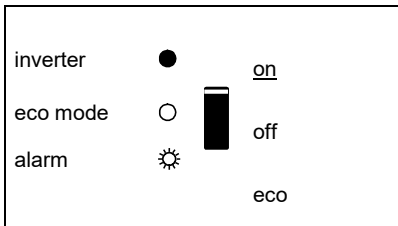
Afstandsbediening is mogelijk met een simpele aan/uit schakelaar of met een Phoenix Inverter Control paneel.

#### 3.3 LED Indicaties

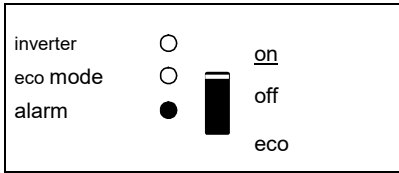
- LED uit
- ☀ LED knippert
- LED brandt



Batterij bedrijf. De omvormer staat aan en levert vermogen aan de belasting.



De omvormer is ingeschakeld en levert vermogen aan de belasting.  
Voor-alarm: overbelasting, of accu spanning te laag, of omvormer temperatuur hoog



De omvormer is uitgeschakeld.  
Alarm: overbelasting, of  
accu spanning te laag, of



Batterij bedrijf. De omvormer staat aan in  
"eco mode" en levert vermogen aan de  
belasting.

## 4. INSTALLATIE



Dit product mag alleen door een gekwalificeerde elektrotechnicus worden geïnstalleerd.

### 4.1 Locatie

De omvormer dient in een droge, goed geventileerde ruimte te worden geïnstalleerd zo dicht mogelijk bij de accu's. Rondom het apparaat dient een ruimte van tenminste 10cm te worden vrijgehouden voor koeling.



Een te hoge omgevingstemperatuur heeft de volgende consequenties:  
Kortere levensduur.  
Lagere laadstroom.  
Lager piek vermogen of geheel afschakelen van de omvormer.  
Plaats het apparaat nooit direct boven de accu's.

De omvormer is geschikt voor wandmontage. Voor de montage zijn aan de achterzijde van de behuizing gaten en een beugelbevestiging aangebracht, zie Appendix A. Het apparaat kan zowel horizontaal als verticaal gemonteerd worden maar verticaal monteren is de beste montage. In deze positie is de koeling namelijk optimaal.



De binnenzijde van het apparaat dient ook na installatie goed bereikbaar te blijven.

Houd de afstand tussen het product en de accu zo kort mogelijk om het spanningsverlies over de kabels tot een minimum te beperken.



In alle apparatuur waarin sprake is van het omvormen van een groot elektrisch vermogen, moet uit voorzorg dit product in een hittebestendige omgeving geïnstalleerd worden. Voorkom daarom de aanwezigheid van bijvoorbeeld chemicaliën, kunststof onderdelen, gordijnen of ander textiel, etc. in de directe omgeving.



## 4.2 Aansluiten accukabels

Om de capaciteit van het product volledig te kunnen benutten, dient uitsluitend gebruik te worden gemaakt van accu's met voldoende capaciteit en van accukabels met de juiste dikte. Zie tabel.

	24/1200	24/1600	12/1200	12/1600
<b>standaard voorzien van 1,5m kabel. (mm<sup>2</sup>)</b>	<b>16</b>	<b>25</b>	<b>25</b>	<b>35</b>
Aanbevolen kabeldikte (mm <sup>2</sup> )				
1,5 <sup>1</sup> → 5 m	25	35	50	70
5 → 10 m	50	70	100	140

	24/1200	24/1600	12/1200	12/1600
Aanbevolen accucapaciteit (Ah)	40 – 400	100 – 400	150 – 700	200 – 700

Opmerking: Interne weerstand is een belangrijke factor als u werkt met lage capaciteit accu's. Raadpleeg uw leverancier of relevante secties uit ons boek "Electriciteit aan boord", te downloaden van onze website.

### Procedure

Ga bij het aansluiten van de accukabels als volgt te werk:



Om het gevaar van kortsluiting van de accu te voorkomen, dient u een geïsoleerde pijpsleutel te gebruiken.  
Voorkom kortsluiting van de accukabels.

Sluit de accukabel aan: de + (rood).

Sluit de accukabel aan: de – (zwart), zie Appendix A.

Draai de moeren stevig aan om overgangsweerstanden zo laag mogelijk te maken.

## 4.3 Aansluiten AC kabels

Dit is een product uit veiligheidsklasse I. (dat wordt geleverd met een aardklem ter beveiliging)



**Deze nulleider van de AC uitgang van deze inverter is verbonden met de behuizing**, dit om verzekerd te zijn van de goede werking van een aardlek schakelaar. De behuizing **moet** geaard worden met het aard punt aan de buitenkant van het product.

### Procedure

Ga voor het aansluiten van de AC kabels als volgt te werk:

De AC uitgang kan op G-ST18i male-connector worden aangesloten. (eerst de connector los trekken)

Gebruik een drie-aderige kabel. De aansluitpunten zijn duidelijk gecodeerd. Van links naar rechts: "N" (nulleider), aarde, en "L1" (fase)

## 4.4 Aansluitopties

### 4.4.1 Afstandsbediening

Het product is op twee manieren op afstand te bedienen.

- Met alleen een externe schakelaar. Werkt alleen als de schakelaar van de Multi op "on" staat.
- Met een afstandsbedieningspaneel. Werkt alleen als de schakelaar van de Multi op "on" staat.

**Er mag slechts 1 afstandsbediening aangesloten worden: of een schakelaar, of een paneel.**

### 4.4.2 Programmeerbaar relais

De Phoenix omvormer is voorzien van een multifunctioneel relais, dat standaard is geprogrammeerd als alarm relais. Het relais kan echter voor allerlei andere toepassingen geprogrammeerd worden, bijvoorbeeld als start relais voor een aggregaat.

Een LED vlakbij de aansluitklemmen zal gaan branden zodra het relais geactiveerd is (zie S, appendix A).

#### 4.4.3 Parallel schakelen (zie appendix C)

De omvormer is parallel te schakelen met meerdere identieke apparaten. Hiertoe wordt een verbinding tussen de apparaten gemaakt met behulp van standaard RJ45 UTP kabels. Het systeem (apparaten samen met eventueel een bedieningspaneel) dient hierna geconfigureerd te worden (zie hoofdstuk 5).

Bij parallel schakelen moet aan de volgende voorwaarden voldaan worden:

- Maximaal zes units parallel.
  - Schakel alleen identieke apparaten qua type en vermogen parallel.
  - De DC aansluitkabels naar de apparaten moeten allemaal even lang zijn en dezelfde doorsnede hebben.
  - Indien een plus en min DC distributiepunt wordt gebruikt, moet de doorsnede van de aansluiting tussen de accu's en het DC distributiepunt minstens gelijk zijn aan de som van de vereiste doorsnedes van de aansluitingen tussen het distributiepunt en de MultiPlus's.
  - Plaats de inverters dicht bij elkaar maar zorg voor minimaal 10 cm ventilatieruimte onder, boven en opzij van de units.
  - De UTP kabels dienen steeds direct van de ene unit op een andere unit aangesloten te worden (en op het remote paneel).
- Er mag geen gebruik gemaakt worden van aansluit/splitter boxen.
- Er kan maar één afstandsbediening (paneel of schakelaar) op het systeem aangesloten worden.

#### 4.4.4 Drie-fase configuratie (zie appendix D)

De inverters kunnen ook gebruikt worden in een 3-fase wye (Y) configuratie. Hiertoe wordt een verbinding tussen de apparaten gemaakt met behulp van standaard RJ45 UTP kabels (dezelfde als voor parallel bedrijf). Het systeem (apparaten samen met eventueel een paneel) dient hierna geconfigureerd te worden (zie hoofdstuk 5).

Voorwaarden: zie paragraaf 4.4.3.

Opmerking: de Phoenix inverters is niet geschikt voor 3-fase delta ( $\Delta$ ) configuratie.

## 5. INSTELLINGEN



Het wijzigen van de instellingen mag alleen worden uitgevoerd door een gekwalificeerde elektrotechnicus.  
Lees voor het wijzigen goed de instructies.  
Tijdens het laden moeten accu's in een droge, goed geventileerde ruimte staan.

### 5.1 Standaard instellingen: klaar voor gebruik

De Phoenix Omvormer wordt geleverd met standaard instellingen. Deze zijn in het algemeen geschikt voor toepassing van één apparaat.

#### Standaard fabrieksinstellingen

Omvormer frequentie	50 Hz
Omvormer spanning	230 VAC
Stand alone / parallel / 3-fase	stand alone
Search mode	off
Programmeerbaar relais	alarm functie

### 5.2 Verklaring instellingen

Hieronder volgt een korte verklaring van de instellingen voor zover die niet vanzelfsprekend zijn. Meer informatie is te vinden in de help files van de software configuratie programma's (zie paragraaf 5.3).

#### **Omvormer frequentie**

Uitgangsfrequentie wanneer er geen AC op de ingang aanwezig is.  
Instelbaar: 50Hz; 60Hz

#### **Omvormer spanning**

Instelbaar: 210 – 245V

#### **Stand alone / parallel operation**

Met meerdere apparaten is het mogelijk om:

- Het totale omvormer vermogen te vergroten (meerdere apparaten parallel).
- Een 3-fase systeem te maken.

Hiertoe moeten de apparaten onderling verbonden worden met RJ45 UTP bekabeling. Daarnaast moeten de apparaten geconfigureerd worden.



### Search mode

Met de search mode wordt het nullast stroomverbruik met ongeveer 70% verlaagd. De search mode houdt in dat de Compact uit schakelt wanneer er geen belasting is of wanneer deze heel laag is. Iedere 2 seconden zal de Compact even aan schakelen. Als de belasting dan de ingestelde waarde overschrijdt blijft de Compact aan. Zo niet, dan gaat de omvormer weer uit.

De 'uit' en 'aan' belastingniveaus kunnen ingesteld worden met VEConfigure.

De fabrieksinstelling is:

'UIT': 40 Watt.

'AAN': 100 Watt.

Instelbaar met DIP switches. Uitsluitend toepasbaar in stand alone configuratie.

### AES (Automatic Economy Switch)

In plaats van 'search mode' kan ook de AES gekozen worden.

Wanneer deze instelling op 'on' gezet wordt het stroomverbruik bij nullast en lage belasting met ca. 20% verlaagt, door de sinusspanning wat te 'versmallen'.

Niet instelbaar met DIP switches.

Uitsluitend toepasbaar in stand alone configuratie.

### Programmeerbaar relais

Het programmeerbare relais is standaard ingesteld als alarm relais, d.w.z. dat het relais afvalt i.g.v. een alarm of een voor-alarm (omvormer bijna te warm, rimpel op de ingang bijna te hoog, accuspanning bijna te laag).

Niet instelbaar met DIP switches.

Een LED vlakbij de aansluitklemmen zal gaan branden zodra het relais geactiveerd is (zie S, appendix A).

## 5.3 Instellingen wijzigen met een computer

Alle instellingen kunnen met behulp van een computer of met een VE.Net paneel worden gewijzigd (uitzondering VE.Net: het multifunctionele relais en de VirtualSwitch). Veel gebruikte instellingen kunnen gewijzigd worden door middel van dipswitches, zie par. 5.5.

Voor het wijzigen van instellingen met de computer heeft u het volgende nodig:

- VEConfigure3 software. U kunt de VEConfigure3 software gratis downloaden van [www.victronenergy.com](http://www.victronenergy.com).

- Een MK3-USB (VE.Bus naar USB) interface

Als alternatief kan de MK2.2b interface (VE.Bus naar RS232) gebruikt worden (RJ45 UTP kabel is dan nodig).

### 5.3.1 VE.Bus Quick Configure Setup

**VE.Bus Quick Configure Setup** is een software programma waarmee systemen met maximaal 3 Multi's (parallel of drie fase bedrijf) op eenvoudige wijze geconfigureerd kunnen worden. VEConfigure3 maakt deel uit van dit programma.

U kunt de software gratis downloaden van [www.victronenergy.com](http://www.victronenergy.com).

### 5.3.2 VE.Bus System Configurator

Voor het configureren van geavanceerde toepassingen en/of systemen met 4 omvormers of meer moet de software **VE.Bus System Configurator** gebruikt worden. U kunt de software downloaden van [www.victronenergy.com](http://www.victronenergy.com). VEConfigure3 maakt deel uit van dit programma.

## 5.4 Instellen met een VE.Net paneel

Hiervoor heeft u een VE.Net paneel en de 'VE.Net to VE.Bus converter' nodig.

Met VE.Net kunt u alle parameters instellen, met uitzondering van het multifunctionele relais en de VirtualSwitch.

## 5.5 Instellen met DIP switches

Een aantal instellingen kan gewijzigd worden door middel van DIP switches

Dit gaat als volgt:

- Schakel de Compact aan, bij voorkeur zonder belasting.
- Stel de dipswitches in zoals gewenst.
- Sla de instellingen op in het microprocessor geheugen door DIP switch 8 'on' en daarna weer 'off' te schakelen.

### 5.5.1. DIP switch 1 en 2

**Standaard instelling: om het product te gebruiken met de “On/Off/Charger Only”**

**ds 1: “off”**

**ds 2: “on”**

De standaard instelling is vereist wanneer u de “On/Off/Charger Only” schakelaar op het voorpaneel gebruikt.

**Instelling voor het op afstand gebruiken middels een Multi Control Panel:**

**ds 1: “on”**

**ds 2: “off”**

Deze instelling is vereist wanneer een Multi Control Panel is verbonden.

Het Multi Control Panel moet verbonden zijn met één van de twee RJ48 sockets B, zie bijlage A.

**Instelling voor het op afstand gebruiken middels een 3-way switch:**

**ds 1: “off”**

**ds 2: “off”**

Deze instelling is vereist wanneer een 3-way switch is verbonden.

De 3-way switch moet aangesloten zijn met klem L, zie bijlage A.

**Er kan maar één apparaat op afstand verbonden zijn, bijv. een switch of paneel.**

**In beide gevallen dient de schakelaar op het apparaat zelf op “on” te staan.**

### 5.5.2 Voorbeelden:

Voorbeeld 1 is de fabrieksinstelling (Muv DS-2 staan de DIP switches van een nieuw product staan allemaal in de 'off' stand omdat de fabrieksinstelling per computer is ingevoerd).

DS-1 Paneel DS-2 Paneel DS-3 Ongebruikt DS-4 Ongebruikt DS-5 Frequentie DS-6 Search mode: DS-7 Ongebruikt DS-8 Opslaan		DS-1 DS-2 DS-3 DS-4 DS-5 DS-6 DS-7 DS-8		DS-1 DS-2 DS-3 DS-4 DS-5 DS-6 DS-7 DS-8	
<b>Example 1: (factory setting)</b> 1 Geen paneel 2 Geen paneel 5 Frequentie: 50Hz 6 Search Mode off 8 opslaan: off→ on→ off	<b>Example 2</b> 1 Geen paneel 2 Geen paneel 5 Frequentie: 60Hz 6 Search Mode on 8 opslaan: off→ on→ off	<b>Example 3</b> 1 Paneel aangesloten 2 Paneel aangesloten 5 Frequentie: 60Hz 6 Search Mode on 8 opslaan: off→ on→ off			

Sla de instellingen op in het microprocessor geheugen door DIP switch 8 'on' en daarna weer 'off' te schakelen.

Bij acceptatie van de settings zullen de 'Inverter' en 'Eco mode' en 'Alarm' LED's vier keer knipperen.



## 6. ONDERHOUD

De Phoenix Omvormer vereist geen specifiek onderhoud. Het volstaat alle verbindingen eenmaal per jaar te controleren. Voorkom dat de Phoenix Omvormer Compact vochtig wordt en houd het apparaat schoon.

## 7. FOUTZOEKSCHEMA

Met behulp van onderstaande stappen kunnen de meest voorkomende storingen snel worden opgespoord.

Indien de fout niet opgelost kan worden, raadpleeg uw Victron Energy distributeur.

Probleem	Oorzaak	Oplissing
De omvormer werkt niet wanneer deze wordt ingeschakeld	De accuspanning is te hoog of te laag.	Zorg dat de accuspanning binnen de juiste waarde is.
De omvormer werkt niet	Processor staat in uit-mode	Ontkoppel de netspanning. Schakel de omvormer uit. Wacht 4 seconden. Schakel de omvormer weer aan.
De LED "alarm" knippert.	Voor-alarm, alt. 1: de accuspanning is laag.	Laad de accu op of controleer de accu aansluitingen.
De LED "alarm" knippert.	Voor-alarm, alt. 2: de belasting op de omvormer is hoger dan de nominale belasting.	Ontkoppel een deel van de belasting.
De LED "alarm" knippert.	Voor-alarm, alt. 3: lage accuspanning en te hoge belasting.	Laad de accu's op, ontkoppel een deel van de belasting of plaats accu's met een hogere capaciteit. Monteer kortere en/of dikkere accukabels. Controleer de dynamo.
De LED "alarm" knippert.	Voor-alarm, alt. 3: rimpelspanning op de DC-aansluiting overschrijdt 1,25Vrms.	Controleer de accukabels en accuaansluitingen. Wees er zeker van dat de accucapaciteit voldoende is, verhoog deze eventueel.
De LED "alarm" brandt.	De omvormer is uitgeschakeld als gevolg van voortdurende van een van bovenstaande voor-alarm omstandigheden.	Zie de bovenstaande oplossingen

## 8. TECHNISCHE SPECIFICATIES

Phoenix Inverter	12 Volt 24 Volt	C 12/1200 C 24/1200	C 12/1600 C 24/1600
<b>INVERTER</b>			
Ingangsspanningsbereik (V DC)		9,5 – 17 V	19 – 33 V
Uitgang (1)		Output voltage: 230 VAC ± 2% Frequency: 50 Hz ± 0,1% (1)	
Continu vermogen bij 25°C (VA) (3)		1200	1600
Continu vermogen bij 25°C (W)		1000	1300
Continu vermogen bij 40°C (W)		900	1200
Continu vermogen bij 65°C (W)		600	800
Piek vermogen (W)		2400	3000
Maximaal rendement (%)		92 / 94	92 / 94
Nullast (W)		8 / 10	8 / 10
Nullast in Search Mode (W)		2 / 3	2 / 3
<b>GENERAL</b>			
Programmeerbaar relais (4)		yes	
Beveiligingen (2)		a - g	
Algemeen		Operating temp. range: -40 to +65°C (fan assisted cooling) Humidity (non condensing): max 95%	
<b>BEHUIZING</b>			
Algemeen		Material & Colour: aluminium (blue RAL 5012) Protection category: IP 21	
Accu-aansluiting		Battery cables of 1.5 meter	
230 V AC-aansluiting		G-ST18i connector	
Gewicht (kg)		10	
Afmetingen (hxbxd in mm)		375x214x110	
<b>NORMEN</b>			
Veiligheid		EN 60335-1, EN 60335-2-29	
Emissie / Immuniteit		EN 55014-1, EN 55014-2, EN 61000-3-3	

1) Kan worden ingesteld op 60Hz en op 240V

2) Beveiligingen

a. Kortsluiting

b. Overbelasting

c. Accuspanning te hoog

d. Accuspanning te laag

e. Temperatuur te hoog

f. Wisselspanning op de uitgang

g. Ingangsspanning met een te hoge rimpel

3) Niet lineaire belasting, crest faktor 3:1

4) Relais instelbaar als algemeen alarm relais, onderspanning alarm of start relais voor een aggregaat

# 1. INSTRUCTIONS DE SÉCURITÉ

## Général

Merci de prendre connaissance des consignes et instructions de sécurité fournies avec le produit avant de l'utiliser. Cet appareil a été conçu et testé selon les standards internationaux. Il doit être utilisé exclusivement dans le but pour lequel il a été conçu.

### ATTENTION: RISQUE D'ÉLECTROCUTION.

L'appareil est utilisé conjointement avec une source d'énergie permanente (batterie). Même si l'appareil est éteint, les bornes d'entrée et/ou de sortie risquent encore de transmettre de l'électricité. Toujours éteindre l'alimentation de courant CA et la batterie avant tout entretien ou toute réparation du produit.

L'appareil ne contient aucun élément interne réparable par l'utilisateur. Ne pas enlever le panneau frontal et ne pas utiliser l'appareil si des panneaux ont été enlevés. Toute réparation doit être réalisée par du personnel qualifié.

Ne pas utiliser l'appareil dans un endroit présentant un risque d'explosion de gaz ou de poussière. Consulter l'information du fabricant de la batterie pour s'assurer que le produit convient à la batterie utilisée. Respecter les instructions de sécurité du fabricant de la batterie.

ATTENTION: Ne jamais porter de charges lourdes sans aide.

## Installation

Lire les instructions d'installation du manuel avant d'installer l'appareil.

Cet appareil est un produit de classe de sécurité I (livré avec une borne de mise à la terre de protection). **Le châssis doit être mis à la masse.** Un point de mise à la terre est situé à l'extérieur du boîtier de l'appareil Si la protection par prise de terre semble être endommagée, l'appareil doit être mis hors tension et protégé contre toute mise en service involontaire ; faire appel à du personnel qualifié.

S'assurer que les câbles d'entrée de courant CC et CA sont protégés par des fusibles et adaptés aux disjoncteurs. Ne jamais remplacer les protections par d'autres d'un type différent. Consulter le manuel pour utiliser les composants appropriés.

Avant de mettre l'appareil en service, contrôler que la source de courant disponible correspond à la configuration de l'appareil décrite dans le manuel.

S'assurer que l'appareil est utilisé dans des conditions d'exploitation appropriées. Ne jamais l'utiliser dans un environnement humide ou poussiéreux. Conserver toujours suffisamment d'espace libre autour de l'appareil pour la ventilation et s'assurer que les orifices de ventilation ne sont pas obstrués.

S'assurer que la tension du système souhaitée ne dépasse pas la capacité du produit.

## **Transport et stockage**

S'assurer que les conducteurs du circuit d'alimentation et de la batterie sont débranchés avant de stocker ou de transporter le produit.

Aucune responsabilité ne sera acceptée pour des dommages liés au transport si l'appareil n'est pas transporté dans son emballage d'origine.

Stocker l'appareil dans un endroit sec ; la température de stockage doit être comprise entre - 20° C et + 60° C.

Se référer au manuel du fabricant de la batterie pour tout ce qui concerne le transport, le stockage, la charge, la recharge et l'élimination de la batterie.

## 2. DESCRIPTION

### 2.1 Général

#### **SinusMax - Technologie avancée**

Développée pour un usage professionnel, la gamme des convertisseurs Phoenix est parfaitement adaptée aux applications les plus diverses. Ces convertisseurs à ondes sinusoïdales pures et à haut rendement sont conçus sans rien concéder aux performances. Le fait d'employer la technologie hybride HF donne pour résultat un produit de haute qualité avec des dimensions compactes, léger et capable d'alimenter tout type de charge, sans aucun problème.

#### **Forte puissance instantanée**

La technologie SinusMax permet des puissances instantanées très élevées, impossibles à atteindre avec la technologie conventionnelle à haute fréquence. Les convertisseurs Phoenix sont ainsi bien adaptés à l'alimentation d'appareils qui ont besoin d'un fort courant d'appel au démarrage, comme les compresseurs, les moteurs électriques et les équipements similaires.

#### **Possibilité de fonctionnement en parallèle ou triphasé**

Jusqu'à 6 convertisseurs peuvent fonctionner en parallèle pour obtenir plus de puissance en sortie.

Un fonctionnement avec une configuration triphasée est aussi possible.

#### **Transfert de charge sur une autre source CA : le commutateur automatique**

Si un commutateur de transfert automatique est requis, nous recommandons d'utiliser plutôt le MultiPlus ou le Quattro. Ces appareils intègrent le commutateur et la fonction chargeur du MultiPlus/Quattro peut être désactivée. Le fonctionnement des ordinateurs et des autres équipements électroniques ne sera pas perturbé puisque le MultiPlus/Quattro bénéficie d'un temps de transfert très rapide (moins de 20 millisecondes).

#### **Relais programmable**

Le Convertisseur Phoenix est équipé d'un relais programmable, qui est configuré par défaut comme relais d'alarme. Néanmoins, le relais peut être programmé pour tous types d'applications, par exemple comme relais de démarrage pour un groupe électrogène.

#### **Configuration par interrupteurs DIP, tableau de commande VE.Net ou ordinateur personnel**

Le Convertisseur Phoenix est livré prêt à l'emploi. Il existe trois possibilités pour modifier certains réglages à volonté :

- Les paramètres les plus importants peuvent être changés facilement, en utilisant les interrupteurs DIP.
- Tous les réglages, à l'exception du relais programmable, peuvent être modifiés par l'intermédiaire du tableau de commande VE.Net.
- Tous les réglages peuvent être modifiés grâce à un PC et un logiciel gratuit, disponible en téléchargement sur notre site Web [www.victronenergy.fr](http://www.victronenergy.fr)

## 3. FONCTIONNEMENT

### 3.1 Commutateur on/off

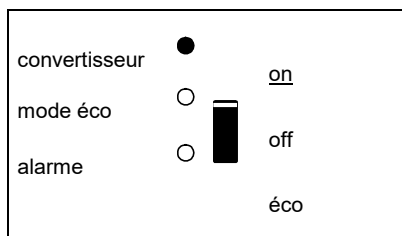
Lorsque l'interrupteur est positionné sur « on », l'appareil est pleinement opérationnel. Le convertisseur est mis en marche et la LED « inverter on » s'allume.

### 3.2 Commande à distance

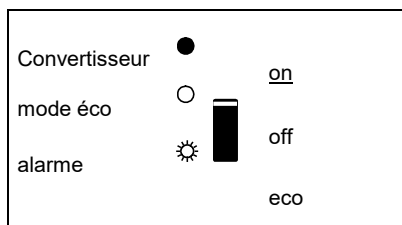
Il est possible de piloter l'appareil à distance avec un simple interrupteur marche/arrêt ou avec un tableau de commande Phoenix Inverter Control.

### 3.3 Indications des LEDs

- LED éteinte
- ☼ LED clignotante
- LED allumée



Le convertisseur est en marche et alimente la charge. Fonctionnement de la batterie.



Le convertisseur est en marche et alimente la charge.  
Préalarme : surcharge, ou tension de batterie basse, ou température du convertisseur élevée.



Le convertisseur est éteint.  
 Alarme : surcharge, ou tension de batterie basse, ou température du convertisseur élevée, ou tension d'ondulation CC sur la borne de la batterie était trop élevée.



Le convertisseur est en "mode éco" et alimente la charge.

## 4. INSTALLATION



Cet appareil doit être installé par un électricien qualifié.

### 4.1 Emplacement

L'appareil doit être installé dans un endroit sec et bien ventilé, aussi près que possible des batteries. Conserver un espace libre d'au moins 10cm autour de l'appareil pour son refroidissement.



Une température ambiante trop élevée aura pour conséquences :  
Réduction de sa longévité.  
Courant de charge réduit.  
Puissance de pointe réduite ou arrêt total du convertisseur.  
Ne jamais installer l'appareil directement au-dessus des batteries.

Le produit peut être fixé au mur. Pour l'installation, voir l'annexe A.  
L'appareil peut être monté horizontalement ou verticalement ; le montage vertical est préférable. La position verticale permet un refroidissement optimum.



L'intérieur de l'appareil doit rester accessible après l'installation.

Conserver une distance minimum entre l'appareil et les batteries afin de réduire les pertes de tension dans les câbles.



Pour des raisons de sécurité, cet appareil doit être installé dans un environnement résistant à la chaleur s'il est utilisé avec des équipements pour lesquels une importante puissance doit être convertie. Éviter la présence de produits chimiques, de composants synthétiques, de rideaux ou d'autres textiles, à proximité de l'appareil.



## 4.2 Raccordement des câbles de batterie

Pour bénéficier pleinement de la puissance maximum de l'appareil, il est nécessaire d'utiliser des batteries de capacité suffisante et des câbles de section suffisante. Voir le tableau.

	24/1200	24/1600	12/1200	12/1600
<b>longueur de câble préassemblé : 1,5 m (mm<sup>2</sup>)</b>	<b>16</b>	<b>25</b>	<b>25</b>	<b>35</b>
Section de câble recommandée (mm <sup>2</sup> )				
1,5 <sup>1</sup> → 5 m	25	35	50	70
5 → 10 m	50	70	100	140

	24/1200	24/1600	12/1200	12/1600
Capacité de batterie recommandée (Ah)	40 – 400	100 – 400	150 – 700	200 – 700

Remarque : la résistance interne est un facteur important si vous utilisez des batteries de faible capacité. Consulter votre fournisseur ou les chapitres correspondant de notre livre « Électricité à bord », en téléchargement sur notre site web.

### Procédure

Procédez comme suit pour raccorder les câbles de batterie :



Utilisez une clé à pipe isolante afin d'éviter de court-circuiter la batterie.  
Évitez de court-circuiter les câbles de batterie.

Raccorder les câbles de batterie : Le + (rouge) et le – (noir) à la batterie, voir l'annexe A. Inverser la polarité (le + au -, et le – au +) pourrait endommager l'appareil. (Un fusible de secours à l'intérieur du Multi Compact pourrait être endommagé).

Serrer fermement les écrous afin de réduire la résistance de contact autant que possible.

## 4.3 Raccordement du câblage CA

Cet appareil est un produit de classe de sécurité I (livré avec une borne de mise à la terre de protection).



### **Le câble neutre de la sortie CA du convertisseur est connecté au châssis.**

Cela garantit le bon fonctionnement d'un GFCI (ou RCCB) à installer sur la sortie CA du Convertisseur.

Le boîtier de l'appareil doit être raccordé à la mise à la terre, au châssis (du véhicule), ou à la plaque de terre ou à la coque (du bateau).

### **Procédure**

Procéder comme suit pour raccorder les câbles CA:

Le câble de sortie CA peut être raccordé directement au raccord mâle. (le raccord sort !)

Les points terminaux sont clairement indiqués. De gauche à droite : « N » (neutre), terre et « L1 » (phase).

## 4.4 Raccordements en option

Un certain nombre de connexions optionnelles sont possibles :

### **4.4.1 Tableau de bord à distance et interrupteur on/off à distance**

L'appareil peut être contrôlé à distance de deux façons.

- Avec un interrupteur externe (connexion borne H ; voir l'annexe A). Il ne fonctionne que si l'interrupteur du convertisseur est en position « on ».

- Avec le tableau de commande d'un Convertisseur Phoenix (raccordé à l'un des deux connecteurs RJ48 prises C, voir l'annexe A). Il ne fonctionne que si l'interrupteur du convertisseur est en position « on ».

**Un seul contrôle à distance peut être connecté, c'est-à-dire un interrupteur ou un tableau de contrôle à distance.**

### **4.4.2. Relais programmable**

Les convertisseurs sont équipés d'un relais multifonction, qui est programmé par défaut comme relais d'alarme. (Le logiciel VEConfigure est nécessaire pour changer la fonctionnalité du relais). Une LED est éclairée à côté des cosses de connexion lorsque le relais est activé (voir S annexe A).

#### 4.4.3 Connexion en parallèle

Les convertisseurs peuvent être connectés en parallèle avec plusieurs appareils identiques. Pour ce faire, une connexion est établie entre les appareils par l'intermédiaire de câbles standard RJ-45 UTP. Le système (un ou plusieurs convertisseurs avec un tableau de commande en option) devra être configuré en conséquence (voir la section 5). Dans le cas de convertisseurs connectés en parallèle, les conditions suivantes doivent être respectées :

- Six appareils maximum peuvent être connectés en parallèle.
- Seuls des appareils identiques doivent être connectés en parallèle.
- Les câbles de raccordement CC entre les appareils doivent être de longueur égale et de section identique.

Si un point de distribution CC positif et négatif est utilisé, la section de la connexion entre les batteries et le point de distribution CC doit être au moins égale à la somme des sections requises pour les connexions entre le point de distribution et les convertisseurs.

- Placez les convertisseurs à proximité les uns des autres, mais conservez au moins 10 cm d'espace libre pour la ventilation, en dessous, au-dessus et sur les côtés.
- Les câbles UTP doivent être branchés directement d'un appareil à l'autre (et au tableau de commande à distance). Les boîtiers de connexion/séparation ne sont pas autorisés.
- Un seul moyen de commande à distance (tableau ou interrupteur) peut être raccordé au système.

#### 4.4.4 Fonctionnement en triphasé

Le convertisseur Phoenix peut être également utilisé dans une configuration triphasée en Y. Pour ce faire, une connexion est établie entre les appareils par l'intermédiaire de câbles standard RJ-45 UTP (comme pour le fonctionnement en parallèle). Le système (des convertisseurs et un tableau de commande en option) devra être configuré en conséquence (voir la section 5).

Conditions préalables : voir la section 4.4.3.

Remarque : le convertisseur Phoenix n'est pas adapté à une configuration triphasée en delta ( $\Delta$ ).

## 5. CONFIGURATION



La modification des réglages doit être effectuée par un électricien qualifié.  
Lire attentivement les instructions avant d'effectuer les changements.  
Les batteries doivent être placées dans un endroit sec et bien aéré lors du chargement

### 5.1 Réglages standard : prêt à l'emploi

À la livraison, le convertisseur Phoenix est configuré avec les valeurs d'usine standard. En général, ces réglages sont adaptés à la configuration pour un système indépendant.

#### Réglages d'usine standard

Fréquence du convertisseur	50 Hz
Tension du convertisseur	230 V CA
Indépendant / Parallèle / Triphasé	indépendant
Mode Recherche	off
Relais programmable	fonction d'alarme

### 5.2 Explication des réglages

#### Fréquence du convertisseur

Fréquence de sortie

Réglage : 50 Hz; 60 Hz

#### Tension du convertisseur

Réglage : 210 – 245V

#### Configuration Indépendante / en parallèle / bi-triphasée

En utilisant plusieurs appareils, il est possible de :

- Augmenter la puissance totale du convertisseur (plusieurs appareils en parallèle).
- Créer un système par phase auxiliaire.
- Créer un système triphasé.

Les configurations standard du produit sont prévues pour un fonctionnement indépendant. Pour un fonctionnement en parallèle, triphasé ou séparé, voir la section 4.4.3 et 4.4.4.

#### Mode Recherche (Search Mode) (Applicable uniquement pour une configuration indépendante)

Si le mode Recherche est en position « on », la consommation de puissance en fonctionnement de non charge se réduit d'environ 70 %. Grâce à ce mode quand le Compact fonctionne en mode convertisseur, il est arrêté en cas d'absence de charge ou de charge très faible, puis mis en marche toutes les deux secondes pour une courte période. Si le courant de sortie dépasse le niveau défini, le convertisseur continue à fonctionner. Dans le cas contraire, le convertisseur s'arrête à nouveau.

Le mode Recherche peut être configuré avec un interrupteur DIP.

Les niveaux de charge du mode Recherche « shut down » (déconnecté) et « remain on » (allumé) peuvent être configurés avec VEConfigure.

La configuration standard est :  
Déconnecté : 40 Watt (charge linéaire).  
Allumé : 100 Watt (charge linéaire).

### **AES (Automatic Economy Switch – Interrupteur Automatique Économique )**

Au lieu du mode Recherche, le mode AES peut aussi être choisi (à l'aide de VEConfigure seulement).

Si ce réglage est défini sur « on », la consommation électrique en fonctionnement sans charge et avec des charges faibles est réduite d'environ 20 %, en « rétrécissant » légèrement la tension sinusoïdale.

Ce paramètre n'est pas réglable par des interrupteurs DIP.

Applicable uniquement à une configuration indépendante.

### **Relais programmable**

Par défaut, le relais programmable est configuré comme relais d'alarme, c'est-à-dire que le relais est désamorçé dans le cas d'une alarme ou d'une préalarme (convertisseur presque trop chaud, ondulation d'entrée presque trop élevée, tension de batterie presque trop faible).

Ce paramètre n'est pas réglable par des interrupteurs DIP.

Une LED est éclairée à côté des cosses de connexion lorsque le relais est activé (voir S annexe A).

## 5.3 Configuration par ordinateur

Tous les réglages peuvent être modifiés par ordinateur ou via un tableau de commande VE.Net (à l'exception du relais multifonction et du VirtualSwitch lors de l'utilisation de VE.Net). Certains réglages peuvent être changés avec les commutateurs DIP (voir Section 5.2).

Pour modifier les réglages par ordinateur, les conditions suivantes sont requises :

- Logiciel VEConfigure3 : peut être téléchargé gratuitement sur notre site [www.victronenergy.fr](http://www.victronenergy.fr).

- Interface MK3-USB (VE.Bus-à-USB).

Sinon, l'interface MK2.2b (VE.Bus-à-RS232) peut être utilisée (câble RJ45 UTP nécessaire).

### 5.3.1 VE.Bus Quick Configure Setup

**VE.Bus Quick Configure Setup** est un logiciel qui permet de configurer, de manière simple, un Compact ou des systèmes avec un maximum de trois Compacts (en parallèle ou en configuration triphasée). VEConfigure3 fait partie de ce logiciel.

Ce logiciel peut être téléchargé gratuitement sur notre site [www.victronenergy.fr](http://www.victronenergy.fr).

### 5.3.2 VE.Bus System Configurator

Pour configurer des applications avancées et/ou des systèmes avec quatre convertisseurs ou plus, il est nécessaire d'utiliser le logiciel **VE.Bus System Configurator**. Le logiciel peut être téléchargé gratuitement sur notre site [www.victronenergy.fr](http://www.victronenergy.fr). VEConfigure3 fait partie de ce logiciel.

## 5.4 Configuration avec un tableau de commande VE.Net

Pour ce faire, un tableau de commande VE.Net et le convertisseur VE.Net - VE.Bus sont requis.

Avec VE.Net, vous pouvez configurer tous les paramètres, à l'exception du relais multifonction et du VirtualSwitch.

## 5.5 Configuration avec les interrupteurs DIP

Certains réglages peuvent être changés avec les interrupteurs DIP

Procédure :

- Allumer le Compact, de préférence sans charge
- Régler les interrupteurs DIP tel que requis.
- Sauvegarder les réglages en tournant l'interrupteur Dip 8 sur « on » et ensuite revenir sur « off ».

### 5.5.1. Interrupteur DIP 1 et 2

**Réglage par défaut : pour faire fonctionner le produit avec l'interrupteur "On/Off/Charger Only".**

**ds 1 : "off"**

**ds 2 : "on"**

La configuration par défaut est nécessaire pour utiliser l'interrupteur "On/Off/Charger Only" du panneau avant.

**Configuration pour un fonctionnement à distance avec un tableau de commande Multi :**

**ds 1 : "on"**

**ds 2 : "off"**

Cette configuration est nécessaire quand un tableau de commande Multi est connecté. Le tableau de commande Multi Control doit être raccordé à l'un des deux connecteurs RJ48 prises B, voir l'annexe A.

**Configuration pour un fonctionnement à distance avec un interrupteur 3 voies :**

**ds 1 : "off"**

**ds 2 : "off"**

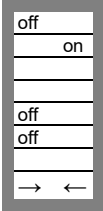
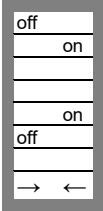
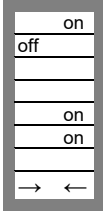
Cette configuration est nécessaire quand un interrupteur 3 voies est connecté. Cet interrupteur 3 voies doit être raccordé à la borne L, voir annexe A.

**Un seul contrôle à distance peut être connecté, c'est-à-dire, un interrupteur ou un tableau de commande à distance.**

**Dans les deux cas, l'interrupteur sur le produit lui-même devrait être sur "on".**

### 5.5.2 Exemples de configuration

L'exemple 1 illustre le réglage d'usine (puisque les réglages d'usine sont effectués par ordinateur, tous les interrupteurs DIP d'un nouvel appareil sont réglés sur « off », sauf pour DS-2).

DS-1 option tableau DS-2 option tableau DS-3 non utilisé DS-4 non utilisé DS-5 Fréquence DS-6 Mode recherche DS-7 non utilisé DS-8 Configuration veille 	DS-1 DS-2 DS-3 DS-4 DS-5 DS-6 DS-7 DS-8 	DS-1 DS-2 DS-3 DS-4 DS-5 DS-6 DS-7 DS-8 
<b>Exemple 1 : (configuration d'usine)</b> 1 Pas de tableau connecté 2 Pas de tableau connecté 5 Fréquence : 50 Hz 6 Mode recherche off 8 Sauvegarder : off → on → off	<b>Exemple 2</b> 1 Pas de tableau connecté 2 Pas de tableau connecté 5 Fréquence : 60 Hz 6 Mode recherche off 8 Sauvegarder : off → on → off	<b>Exemple 3</b> 1 Tableau connecté 2 Tableau connecté 5 Fréquence : 60Hz 6 Mode recherche on 8 Sauvegarder : off → on → off

Sauvegarder les configurations (DS3-DS7) en changeant l'interrupteur ds-8 de off à on, et ensuite remettre sur off.

Les LEDs "Convertisseur" et "mode éco" et "alarme" vont clignoter quatre fois pour indiquer l'acceptation des paramètres.



## 6. MAINTENANCE

Le Compact ne nécessite aucune maintenance particulière. Il suffit de vérifier tous les raccordements une fois par an. Éviter l'humidité et l'huile/suie/vapeur, et conserver l'appareil propre.

## 7. TABLEAU DE RÉOLUTION DES PANNES

Faire comme suit pour une détection rapide des pannes fréquentes.

Consulter le fournisseur Victron Energy si la panne ne peut pas être résolue.

Problème	Cause	Solution
Le convertisseur ne fonctionne pas correctement quand il est allumé	La tension de batterie est trop élevée ou trop faible.	S'assurer que la tension de batterie correspond à la valeur correcte.
Le convertisseur a du mal à fonctionner	Le processeur n'est pas en mode fonctionnement.	Commuter l'interrupteur off, attendre 4 secondes. Commuter l'interrupteur sur on.
La LED alarme clignote	Préalarme alt : 1. La tension d'entrée CC est faible.	Charger la batterie ou vérifier les raccordements de batterie.
La LED alarme clignote	Préalarme alt : 2. La température ambiante est aussi trop élevée.	Installer le convertisseur dans un environnement frais et bien ventilé ou réduire la charge.
La LED alarme clignote	Préalarme alt : 3. La charge du convertisseur est plus élevée que la charge nominale.	Réduire la charge.
La LED alarme clignote	Préalarme alt : 4. La tension d'ondulation sur l'entrée CC dépasse 1,5 V rms.	Vérifier les raccordements et les bornes de la batterie. Vérifier la capacité de batterie : augmenter si nécessaire.
La LED alarme clignote par intermittence	Préalarme alt : 5. La tension de batterie est faible et la charge est trop élevée.	Charger les batteries, réduire la charge, ou installer des batteries d'une capacité supérieure. Installer des câbles de batterie plus courts et/ou plus épais.
La LED alarme est allumée	Le convertisseur a coupé la préalarme suivante.	Vérifier le tableau pour le mode d'action approprié.

## 8. CARACTERISTIQUES TECHNIQUES

Convertisseur Phoenix	12 Volt 24 Volt	C 12/1200 C 24/1200	C 12/1600 C 24/1600
<b>CONVERTISSEUR</b>			
Plage de tension d'entrée (V CC)		9,5 – 17V	19 – 33V
Sortie		Tension de sortie : 230 VCA ± 2% Fréquence : 50 Hz ± 0,1% (1)	
Puissance de sortie cont. à 25°C (VA) (3)		1200	1600
Puissance de sortie cont. à 25°C (W)		1000	1300
Puissance de sortie cont. à 40°C (W)		900	1200
Puissance de sortie cont. à 65°C (W)		600	800
Puissance de crête (W)		2400	3000
Efficacité maximum (%)		92 / 94	92 / 94
Puissance de charge zéro (W)		8 / 10	8 / 10
Puissance de charge zéro en mode recherche (W)		2 / 3	2 / 3
<b>GÉNÉRAL</b>			
Relais Programmable (4)		oui	
Protection (2)		Voir a - g	
Caractéristiques communes		Plage de température de fonctionnement : -40 à +65°C (refroidissement par ventilateur) Humidité (échappement libre): max 95%	
<b>BOITIER</b>			
Caractéristiques communes		Matériau & Couleur: aluminium (bleu RAL 5012) Degré de protection: IP 21	
Raccordement batterie		Câbles de batterie de 1.5 mètres	
Connexions 230 V CA		Raccord G-ST18i	
Poids (kg)		10	
Dimensions (H x L x P en mm)		375 x 214 x 110	
<b>STANDARDS</b>			
Sécurité		EN 60335-1, EN 60335-2-29	
Émission / Immunité		EN 55014-1, EN 55014-2, EN 61000-3-3	

1) Configuration possible en 60Hz et 240V

2) Protection

a. Court-circuit en sortie

b. Surcharge

c. Tension de batterie trop élevée

c. Tension de batterie trop faible

e. Température trop élevée

f. 230 V CA sur la sortie du convertisseur

g. Ondulation de la tension d'entrée trop haute

3) Charge non linéaire, facteur de crête 3:1

4) Relais programmable qui peut être configuré en alarme générale, sous-tension CC ou fonction de signal du démarrage groupe

# 1. SICHERHEITS- HINWEISE

## Allgemein

Lesen sie bitte zunächst die mitgelieferte Dokumentation sorgfältig durch. Machen Sie sich mit den Sicherheitshinweisen und den zugehörigen Anweisungen vertraut bevor Sie das Produkt in Betrieb nehmen.

Das Produkt wurde in Übereinstimmung mit den geltenden internationalen Vorschriften entwickelt, gebaut und erprobt.

Nutzen Sie das Gerät ausschließlich für den vorgesehen Anwendungsbereich.

### **WARNING: Es besteht STROMSCHLAG Gefahr!**

Das Produkt wird zusammen mit einer ständigen Energiequelle (Batterie) genutzt. Auch wenn die Geräte ausgeschaltet sind, kann an den Eingangs / Ausgangs – Anschlüssen Spannung anliegen. Schalten Sie immer den Wechselstrom – Eingang aus, und lösen Sie die Batterieanschlüsse bevor Sie mit Wartungsarbeiten beginnen.

Das Produkt enthält keine wartungsbedürftigen Teile. Öffnen Sie die Frontplatte nicht, und nehmen Sie das Gerät nur in Betrieb, wenn alle Gehäusepaneele fest eingebaut sind. Wartungsarbeiten sollten ausschließlich durch qualifiziertes Servicepersonal ausgeführt werden.

Nutzen Sie das Gerät niemals an Orten wo Gefahr für Staub und/oder Gas Explosionen besteht. Beachten Sie die Herstellerangaben der Batterie um sicher zu sein, dass die gewählte Batterie für den Betrieb mit dem Gerät geeignet ist. Die Sicherheitsempfehlungen des Herstellers sollten immer beachtet werden.

WARNHINWEIS: Heben sie schwere Gräte nie ohne Hilfe.

## Einbau

Lesen die Herstelleranweisungen vor Beginn der Einbauarbeiten.

Dieses Gerät gehört zur Sicherheitsklasse I (aus Sicherheitsgründen mit Erdungsanschlüssen). **Die Wechselstromanschlüsse müssen aus Sicherheitsgründen nicht abschaltbare Erdungsanschlüssen haben. Ein Weiterer Erdungsanschluss ist außen am Gehäuse angebracht.** Falls der Verdacht besteht, dass die Erdung des Gerätes beschädigt ist, sollte es abgeschaltet werden. Dabei ist sicherzustellen, dass es nicht unbeabsichtigt wieder eingeschaltet werden kann. Nehmen Sie Kontakt mit dem qualifiziertem Service-Fachmann auf.

Sorgen Sie dafür, dass die Anschlusskabel mit Sicherungen und Unterbrechungsschaltern ausgerüstet sind. Tauschen Sie Schutzkomponenten nie gegen solche anderer Bauart aus. Lesen Sie die das Handbuch zur korrekten Bestimmung von Ersatzteilen.

Vor dem Einschalten sollten Sie prüfen, ob die Stromquelle den im Handbuch spezifizierten Angaben für das Produkt entspricht.

Stellen Sie sicher, dass das Gerät im Rahmen korrekter Betriebsbedingungen betrieben wird. Betreiben Sie es nie in nasser oder staubiger Umgebung. Gewährleisten Sie immer genügend Lüftungsfreiraum um das Gerät herum, und blockieren Sie nicht die Lüftungsöffnungen. Installieren Sie das Gerät in einer hitzebeständigen Umgebung. Stellen Sie deshalb sicher, dass sich weder Chemikalien, brennbare Kunststoffe, Vorhänge oder andere Textilien in unmittelbarer Nähe zum Einbauort befinden.

## **Transport und Lagerung**

Gewährleisten Sie dass bei Transport und Lagerung des Produktes die Netz-Zuleitungen und Batteriekabel abgeklemmt sind.

Für Transport der Geräte in anderen als den Originalverpackungen kann keine Haftung übernommen werden.

Lagern Sie das Produkt in trockenen Räumen bei Temperaturen zwischen  $-20^{\circ}\text{C}$  und  $60^{\circ}\text{C}$ .

Beachten Sie hinsichtlich Transport, Lagerung und Entsorgung die Hinweise des Batterieherstellers.

## 2. BESCHREIBUNG

### 2.1 Allgemeines

#### **SinusMax – Höchstwertige Technik**

Die Phoenix Wechselrichter-Baureihe wurde für gewerblichen Einsatz für ein breites Anwendungsspektrum entwickelt. Die Entwurfsbedingungen verlangten einen echten Sinus-Wechselrichter mit bestmöglichem Wirkungsgrad bei kompromissloser Leistungsbereitschaft. Durch die Anwendung von Hybrid-HF-Technologie entstand ein hochwertiges Spitzengerät.

Mit neuester Hybrid-Technologie entstand ein Spitzenprodukt mit kompakten Einbaumaßen, geringem Gewicht und der Fähigkeit problemlos die notwendige Leistung für jede nur denkbare Belastung bereitzustellen.

#### **Besonders hohe Anlaufleistung**

Eine Besonderheit der SinusMax-Technologie ist es, besonders hohe Anlaufleistung abgeben zu können. Mit konventioneller HF-Technologie ist das nicht möglich. Phoenix Wechselrichter können auch schwierige Anlaufprobleme wie Kompressoren, Elektromotoren oder ähnlichen Anwendungen auftreten können, sicher zu beherrschen.

#### **Parallel und 3-Phasen Betrieb sind möglich**

Bis zu sechs Wechselrichter können bei hohem Leistungsbedarf parallel geschaltet werden.

Auch Drei-Phasen Betrieb ist möglich.

#### **Lastumschaltung auf eine andere Wechselstromquelle: Der automatische Übergangsschalter**

Falls ein automatischer Übergangsschalter erforderlich ist, empfehlen wir den Einbau eines MultiPlus oder Quattro Gerätes. Bei diesen Produkten ist der Übergangsschalter eingebaut, und die Laderfunktion des MultiPlus/Quattro kann ausgeschaltet werden. Computer und andere elektronische Geräte laufen unterbrechungsfrei weiter, denn die Schaltzeit des Multi/Quattro liegt unterhalb von 20 msec.

#### **Programmierbares Relais**

Der Phoenix Wechselrichter hat ein programmierbares Mehrfunktionsrelais, das in der Grundeinstellung als Alarm Relais arbeitet. Dieses Relais kann jedoch für eine Vielzahl von Zusatz-Funktionen programmiert werden, wie z.B. als Startrelais für einen Generator.

#### **Programmierbar mit DIP Schaltern, mit VE.Net Paneel oder dem PC.**

Der Phoenix Wechselrichter wird einsatzbereit geliefert. Es gibt drei Möglichkeiten Einstellungen falls erforderlich zu verändern:

- Die wichtigsten Einstellungen können sehr einfach über DIP Schalter eingestellt werden.
- Alle Einstellungen mit Ausnahme der des programmierbaren Relais können mit dem VE.Net Paneel verändert werden.
- Alle Einstellungen können mit dem PC und der entsprechenden Software, die kostenfrei über [www.victronenergy.com](http://www.victronenergy.com) geladen werden kann, vorgenommen werden.

### 3. BETRIEB

#### 3.1 Ein/Aus Schalter

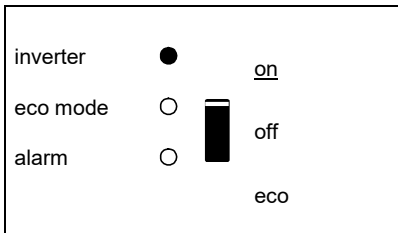
Wenn der Schalter auf "on" steht ist das Gerät betriebsbereit. Der Wechselrichter beginnt zu arbeiten und die LED "Inverter on" geht an.

#### 3.2 Fernbedienung

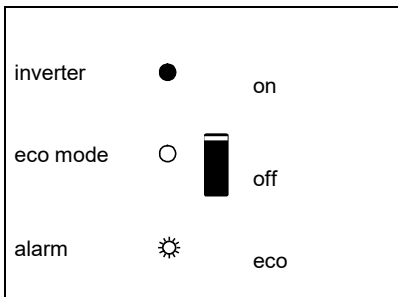
Fernbedienung ist über einen einfachen "Ein/Aus"-Schalter oder über das Phoenix Wechselrichter Kontroll-Paneel möglich.

#### 3.3 LED Anzeigen

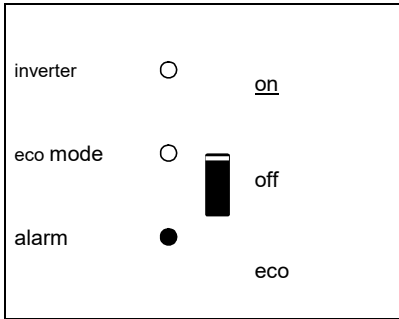
- LED aus
- ☀ LED blinkt
- LED brennt



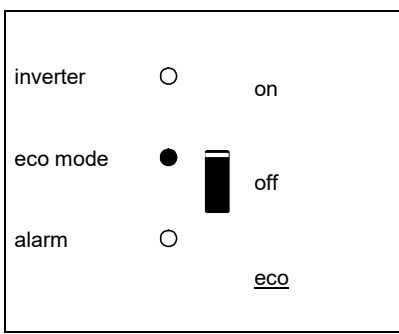
Der Wechselrichter ist eingeschaltet und liefert Strom an die Verbraucher. Batteriebetrieb.



Der Wechselrichter ist eingeschaltet und liefert Strom an die Verbraucher. Vorwarnung: Überast, oder niedrige Batteriespannung, oder Wechselrichter-Temperatur hoch.



Der Wechselrichter ist ausgeschaltet.  
 Alarm: Überlast, oder  
 Niedrige Batteriespannung, oder  
 Hohe Wechselrichter-Temperatur, oder  
 Gleichstrom-Brummspannung am Batterie-  
 Ausgang zu hoch.



Der Wechselrichter arbeitet im "eco mode"  
 und liefert Strom an di Verbraucher.

## 4. INSTALLATION



Dieses Produkt darf nur durch qualifiziertes Fachpersonal eingebaut werden.

### 4.1 Einbauort

Das Gerät muss in trockener und gut belüfteter Umgebung möglichst nahe zu den Batterien aufgestellt werden. Ein Freiraum von wenigstens 10 cm soll um das Gerät herum aus Lüftungsgründen vorhanden sein.



Extrem hohe Außentemperaturen führen zu:  
Verkürzter Einsatzdauer.  
Verringerung des Ladestroms.  
Verringerter Spitzenleistung oder Abschalten des Wechselrichters.  
Das Gerät sollte nicht unmittelbar oberhalb von Batterien eingebaut werden.

Das Gerät ist für Wandmontage geeignet. Bezüglich der Montage siehe Anhang.  
Das Gerät kann sowohl horizontal als auch vertikal eingebaut werden. Aus Kühlungsgründen ist vertikaler Einbau zu bevorzugen.



Das Innere des Gerätes muss auch nach dem Einbau zugänglich bleiben.

Achten Sie auf möglichst geringen Abstand zwischen dem Gerät und den Batterien um Spannungsverluste durch unnötig lange Kabel gering zu halten.



Aus Sicherheitsgründen sollte das Gerät in feuerhemmenden Räumen eingebaut werden, insbesondere dann, wenn es starke Verbraucher versorgen soll. So sollten Chemikalien, Kunststoffe, Vorhänge und andere Textilien nicht in unmittelbarer Nähe vorhanden sein.



## 4.2 Anschluss der Batteriekabel

Um die volle Leistungsfähigkeit des Produktes zu nutzen, sollten Batterien mit ausreichender Kapazität über Kabel mit ausreichenden Querschnitten angeschlossen werden. Siehe Tabelle.

	24/1200	24/1600	12/1200	12/1600
<b>konfektionierte Kabellänge: 1.5 m (mm<sup>2</sup>)</b>	<b>16</b>	<b>25</b>	<b>25</b>	<b>35</b>
Empfohlener Kabelquerschnitt (mm <sup>2</sup> )				
1,5 <sup>1</sup> → 5 m	25	35	50	70
5 → 10 m	50	70	100	140

	24/1200	24/1600	12/1200	12/1600
Empfohlene Batteriekapazität (Ah))	40 – 400	100 – 400	150 – 700	200 – 700

Anmerkung: Innenwiderstand ist der wichtigste Einflussfaktor bei der Nutzung von Batterien niedriger Kapazität. Fragen sie Ihren Lieferanten oder lesen sie die entsprechenden Abschnitte unseres Buches "Immer Strom", das Sie von unserer Webseite herunterladen können.

### Vorgehensweise

Gehen Sie beim Anschluss der Batteriekabel wie folgt vor:



Nutzen Sie isolierte Spannschlüssel zur Vermeidung von Kurzschlüssen. Vermeiden Sie Kurzschlüsse an den Batteriekabeln.

Anschluss der Batteriekabel: + (rot) und – (schwarz), an die Batterie siehe Anhang A. Verkehrte Polung (+ an – und – an +) führt zur Schädigung des Produkts. (Die Sicherung im MultiPlus Compact kann beschädigt werden)

Ziehen Sie alle Befestigungsschrauben fest an um auch die Kontaktwiderstände so weit wie möglich zu reduzieren.

## 4.3 Anschluss der Wechselstromverkabelung

Dieses Produkt entspricht der Sicherheitsklasse I (mit Sicherungserdung).



**Der Null-Leiter des Wechselstromausgangs dieses Wechselrichters muß mit dem Gehäuse verbunden werden.**

Damit wird die korrekte Funktion des Fehlerstromschutzschalters GFCI, der im Wechselstromausgang dieses Wechselrichters eingebaut werden muss gewährleistet.

Das Gehäuse des Gerätes muß geerdet werden. Bei Fahrzeugen am Chassis, bei Booten am Rumpf oder der Erdungsplatte.

### Vorgehensweise

Gehen Sie wie folgt vor um die Wechselstromkabel anzuschließen:

Das Wechselstrom-Ausgangskabel kann direkt am Ausgangstecker angeschlossen werden. Die Anschlüsse sind eindeutig markiert. Von links nach rechts: "N" (Null), Erdung, und "L1" (Phase).

## 4.4 Optionale Anschlüsse

Eine Anzahl optionaler Anschlüsse ist möglich:

### 4.4.1 Fernbedienungsschalter für "Ein" / "Aus" und Fernbedienungspaneel.

Für die Fernbedienung des Gerätes gibt es zwei verschiedene Möglichkeiten.

- Mit einem externen Schalter (Anschlussklemme H, Anhang A). Hierzu muss der Schalter des Wechselrichters auf „on“ stehen.
- Mit einem Phoenix Inverter Control Paneel (Anschluss an einen der beiden RJ48 Stecker C, siehe Anhang A). Hierzu muss der Schalter des Wechselrichters auf „on“ stehen.

**Es kann nur eine Fernbedienung d.h. entweder Schalter oder Paneel angeschlossen werden.**

### 4.4.2. Das programmierbare Relais

Die Wechselrichter sind mit einem Multifunktions-Relais ausgestattet, das in der Werkseinstellung als Alarmrelais programmiert wurde. Zur Änderung der Relais-Funktionen wird die VEConfigure Software benötigt.

Neben den Anschlussklemmen leuchtet eine LED auf, wenn das Relais aktiviert ist (beachte S, siehe Anhang A).

#### 4.4.3 Parallel Betrieb

Die Wechselrichter können mit mehreren identischen Geräten zum Parallelbetrieb zusammengeschaltet werden. Hierzu werden mit Standard RJ45UTP - Kabeln entsprechende Verbindungen zwischen den Geräten hergestellt. Das so geschaltete System (ein oder mehrere Wechselrichter und eventuell ein Bedienungspaneel) muss dann neu konfiguriert werden (siehe Abschnitt 5).

Bei Parallelschaltung ist folgendes zu beachten:

- Maximal sechs Geräte können parallel arbeiten.
- Nur hinsichtlich Leistung und Typ identische Geräte dürfen kombiniert werden.
- Die Gleichstrom-Anschlusskabel zu den Geräten müssen gleich lang und von gleichem Querschnitt sein.
- Falls ein positiver und ein negativer Verteilerpunkt gewählt wird, muss der Querschnitt zwischen dem Verteilerpunkt und den Batterien wenigstens der Summe der erforderlichen Querschnitte zwischen dem Verbindungspunkt und den Phoenix-Wechselrichtern entsprechen.
- Bauen Sie die Geräte so nahe wie möglich zueinander ein, aber mit mindestens 10 cm Luftraum neben, über und unter den Geräten.
- Die UTP Kabel müssen immer direkt von einer zur nächsten Einheit verbunden werden (und zum Fernbedienungspaneel). Verbindungs-/Splitter Dosen sind nicht zulässig.
- Im System kann lediglich eine Fernbedienung (Schalter oder Paneel) eingebaut werden.

#### 4.4.4 Dreiphasen-Schaltung

Die Phoenix Wechselrichter können auch in einer Drei-Ypsilon (Y)-Konfiguration betrieben werden. Hierzu müssen die Geräte über Standard RJ45 UTP Kabel (identisch zu denen im Parallelbetrieb) verbunden werden. Das **System** (Geräte und u.U. ein Fernbedienungspaneel) muss anschließend konfiguriert werden (siehe auch Abschnitt 5). Voraussetzungen: Abschnitt 4.4.5.

Hinweis: Der Phoenix Wechselrichter eignet sich nicht für eine Drei-Phasen-Delta ( $\Delta$ )-Konfiguration.

## 5. EINSTELLUNGEN



Einstellungen sollen ausschließlich von dafür qualifiziertem Fachpersonal ausgeführt werden.

Machen Sie sich vor Beginn der Arbeiten gründlich mit den Einbauhinweisen vertraut.

Batterien sollen während der Ladung in trockener und gut belüfteter Umgebung sein.

### 5.1 Standard Einstellungen: Bereit zum Betrieb

Der Phoenix Wechselrichter wird mit Standardeinstellungen geliefert. Üblicherweise sind die für Einzelgeräteebetrieb ausgelegt und Änderungen sind nicht erforderlich.

#### Standard Fabrikeinstellungen

Wechselrichter-Frequenz	50 Hz
Wechselrichter-Spannung	230 VAC
Einzelgerät / Parallel / 3-Phasen	Einzelgerät
Such Modus	aus
Programmierbares Relais	Alarm Funktion

### 5.2 Erläuterung der Einstellungen

#### **Wechselrichter Frequenz**

Ausgangsfrequenz

Einstellmöglichkeit: 50Hz; 60Hz

#### **Wechselrichter Spannung**

Einstellbar: 210 – 245V

#### **Einzelbetrieb / Parallelbetrieb / 3-Phasenbetrieb**

Mit der Nutzung mehrerer Geräte ist es möglich:

- Die Gesamtleistung zu erhöhen (Parallelschaltung mehrerer Geräte).
- Create a split-phase system.
- Aufbau eines 3-Phasen Systems.

Die Standard Werkseinstellungen gelten für Einzelgerätebetrieb. Hinsichtlich von Parallel-, Dreiphasen- oder Mehrphasen-Betrieb beachten Sie bitte die Abschnitte 4.4.3 and 4.4.4.



### **Such Modus** (Nur bei Einzelgerätbetrieb)

Bei eingeschaltetem Suchmodus reduziert sich der Verbrauch um ca. 70 % wenn keine Verbraucher anliegen. Wenn der Compact in dieser Betriebsart als Wechselrichter arbeitet, schaltet er bei fehlender oder sehr geringer äußerer Belastung ab. Alle 2 Sekunden schaltet das Gerät kurzfristig an. Wenn die Belastung einen voreingestellten Wert übersteigt, schaltet das Gerät in den Dauerbetrieb. Falls keine Last anliegt schaltet das Gerät sich wieder ab.

Der Suchmodus kann über den DIP-Schalter eingestellt werden.

Die Belastungswerte in den Suchmodi "shut down" und "remain on" können mit VEConfigure eingestellt werden.

Die Standard Einstellungen sind:

Abschaltpunkt: 40 Watt (lineare Belastung).

Einschaltstrom: 100 Watt (lineare Last).

### **AES (Automatic Economy Switch)**

Statt des Suchmodus kann auch der AES-Modus gewählt werden (nur mit VEConfigure einstellbar).

Bei Wahl dieser Einstellung wird der Leistungsverbrauch ohne oder nur bei geringer Belastung um ca. 20 % reduziert. Dies geschieht durch geringfügige Verkürzung der Sinuswellen-Länge. Diese Einstellung kann nicht mit DIP-Schaltern gemacht werden. Sie lässt sich nur bei Einzelgerät-Betrieb anwenden.

### **Programmierbares Relais**

In der Grundeinstellung ist das Relais als Alarmrelais konfiguriert. Es wird bei folgenden Ereignissen ansprechen: Der Wechselrichter wird zu warm; die Brummspannung am Eingang wird zu hoch; die Batteriespannung wird zu niedrig.

Die Einstellungen können nicht mit DIP-Schaltern gemacht werden.

Neben den Anschlussklemmen leuchtet eine LED auf, wenn das Relais aktiviert ist (beachte S, siehe Anhang A).

## 5.3 Konfiguration mit dem Computer

Alle Einstellungen können mit einem Computer oder dem VE.Net Paneel gemacht werden. (Ausnahme: Multifunktions-Relais und den virtuellen Schalter mit VE.Net.  
Einige Einstellungen lassen sich auch mit DIP-Schaltern machen (siehe Abschnitt 5.2)

Für Einstellungen mit dem Computer ist folgendes erforderlich:

- VEConfigure3 Software: kann kostenfrei über [www.victronenergy.com](http://www.victronenergy.com) heruntergeladen werden.

- Ein MK3-USB (VE.Bus to USB) Interface.

Alternativ kann das Interface MK2.2b (VE.Bus zu RS232) verwendet werden (ein RJ45 UTP Kabel wird benötigt).

### 5.3.1 VE.Bus Schnell Konfigurations- Einstellung (VE.Bus Quick Configure Setup)

Bei **VE.Bus Quick Configure Setup** handelt es sich um ein Software Programm mit dem ein Compact oder ein System mit bis zu drei Geräten (für Parallel- oder Dreiphasen Betrieb) einfach konfiguriert werden können. VEConfigure3 ist ein Teil dieses Programms.

Die Software kann kostenfrei über [www.victronenergy.com](http://www.victronenergy.com) heruntergeladen werden.

### 5.3.2 VE.Bus System Konfiguration

Die Konfiguration fortschrittlicher Anwendungen und/oder von Systemen mit vier und mehr Wechselrichtern ist nur mit „**VE.Bus System Configurator**“ Software möglich.

For configuring advanced applications and/or systems with four or more inverters, **VE.Bus System Configurator** software must be used. Die Software kann kostenfrei über [www.victronenergy.com](http://www.victronenergy.com) heruntergeladen werden. VEConfigure3 ist Teil dieses Programms.

## 5.4 Einstellungen über das VE.Net Paneel

Hierfür werden ein VE.Net Paneel und ein VE.Net zu VE.Bus Konverter benötigt.

Mit dem VE.Net Paneel können Sie alle Parameter mit Ausnahme des multifunktionalen Relais und des Virtuellen Schalters einstellen.

## 5.5 Konfiguration mit DIP Schaltern

Einige Einstellungen können mit DIP Schaltern vorgenommen werden:  
Vorgehensweise:

- a) Schalten Sie das Gerät ein, vorzugsweise ohne Belastung und ohne Wechsellspannung an den Eingängen. Der Compact wird dann als Wechselrichter arbeiten.
- b) Stellen Sie die DIP-Schalter nach Vorschrift ein.
- c) Speichern Sie die Einstellungen durch Schalten des DIP-Schalters No. 8 auf "on" und "out"

### 5.5.1. DIP-Schalter 1 und 2

**Standardeinstellungen: Zum Betrieb des Produktes mit dem "On/Off/Charger Only"-Schalter**

**ds 1: "off" (aus)**

**ds 2: "on" (ein)**

Die Standardeinstellung ist erforderlich, wenn der "On/Off/Charger Only"-Schalter im Frontpaneel verwendet wird.

**Einstellung für die Fernbedienung durch ein Multi Control-Bedienpaneel:**

**ds 1: "on" (ein)**

**ds 2: "off" (aus)**

Diese Einstellung ist erforderlich, wenn ein Multi Control-Bedienpaneel angeschlossen ist.

Das Multi Control-Bedienpaneel muss an einen der beiden RJ48 Kontakte B angeschlossen sein, siehe Anhang A.

**Einstellung für eine Fernbedienung über einen 3-Wege-Schalter:**

**ds 1: "off" (aus)**

**ds 2: "off" (aus)**

Diese Einstellung ist erforderlich, wenn ein 3-Wege-Schalter angeschlossen ist.

Der 3-Wege-Schalter muss mit Anschluss L verkabelt sein, siehe Anhang A.

**Es kann nur eine Fernbedienung angeschlossen werden, d. h. entweder ein Schalter oder ein Fernbedienpaneel.**

**In beiden Fällen ist der Schalter am Produkt selbst auf "on" (ein) zu stellen.**

### 5.5.2 Einstellungsbeispiele

Beispiel 1 ist die Fabrikeinstellung (Da die Fabrikeinstellungen mit einem Computer gemacht werden, sind alle DIP Schalter eines neuen Produktes mit Ausnahme von DS-2 auf 'off' gesetzt).

DS-1 Panel option <input type="checkbox"/> off DS-2 Panel option <input type="checkbox"/> on DS-3 Not used DS-4 Not used DS-5 Frequency <input type="checkbox"/> off DS-6 Search mode <input type="checkbox"/> off DS-7 Not used DS-8 Store setting <input type="checkbox"/> → <input type="checkbox"/> ←	DS-1 <input type="checkbox"/> off DS-2 <input type="checkbox"/> on DS-3 DS-4 DS-5 <input type="checkbox"/> on DS-6 <input type="checkbox"/> off DS-7 DS-8 <input type="checkbox"/> → <input type="checkbox"/> ←	DS-1 <input type="checkbox"/> on DS-2 <input type="checkbox"/> off DS-3 DS-4 DS-5 <input type="checkbox"/> on DS-6 <input type="checkbox"/> on DS-7 DS-8 <input type="checkbox"/> → <input type="checkbox"/> ←
<b>Beispiel 1: (Fabrikeinstellung)</b> 1 kein Paneel verbunden 2 kein Paneel verbunden 5 Frequenz: 50Hz 6 Suchmodus aus 8 Speicherung: off → on → off	<b>Beispiel 2</b> 1 kein Paneel verbunden 2 kein Paneel verbunden 5 Frequenz: 60Hz 6 Suchmodus aus 8 Speicherung: off → on → off	<b>Beispiel 3</b> 1 kein Paneel verbunden 2 kein Paneel verbunden 5 Frequenz: 60Hz 6 Such-Modus ein 8 Speicherung: off → on → off

Zur Speicherung der Einstellungen muß der Schalter ds-8 von aus auf ein und dann zurück nach aus bewegt werden.

Die LED's 'Inverter', 'eco mode' und 'alarm' werden zur Anzeige der Annahme der Einstellungen vier mal blinken.



## 6. WARTUNG

Das Compact benötigt keine speziellen Unterhaltungsarbeiten. Es reicht aus ca. einmal jährlich alle Anschlüsse zu überprüfen. Vermeiden Sie Feuchtigkeit, Öl und Ruß-Dämpfe und halten Sie das Gerät sauber.

## 7. FEHLER-KORREKTUR-MASSNAHMEN

Gehen Sie bei der Fehlersuche entsprechend nachstehender Tabelle vor.

Fragen Sie Ihren Victron Energy Händler falls der Fehler nichtbehooben werden kann.

Problem	Ursache	Lösung
Der Wechselrichter arbeitet nicht nach dem Einschalten.	Die Batteriespannung ist zu hoch oder zu niedrig.	Stellen Sie sicher, dass die Spannungen innerhalb der Betriebsgrenzen liegen.
Der Wechselrichter arbeitet nicht.	Der Prozessor ist im Außer-Betrieb Modus.	Schalten Sie den Front-Schalter aus, warten Sie 4 Sekunden und schalten Sie wieder ein.
Die Alarm LED blinkt.	Vor-Alarm alt. 1. Die Gleichstrom Eingangsspannung ist zu niedrig.	Laden Sie die Batterie oder prüfen Sie die Batterie-Anschlüsse.
Die Alarm LED blinkt	Vor-Alarm alt. 2. Die Umgebungstemperatur ist zu hoch.	Bringen Sie den Wechselrichter an einen kühleren und gut belüfteten Einbauort. Reduzieren Sie die Belastung.
Die Alarm LED blinkt.	Vor-Alarm alt. 3. Die Wechselrichterbelastung liegt oberhalb der Nennlast	Reduzieren Sie die Belastung.
Die Alarm LED blinkt.	Voralarm alt. 4. Die Brumm-Spannung am Gleichstromeingang übersteigt 1.25 Vrms.	Prüfen Sie Batteriekabel und Anschlüsse. Prüfen Sie die Batteriekapazität und erhöhen Sie diese ggfs.
Die Alarm LED blinkt abwechselnd.	Vor-Alarm alt. 5. Die Batteriespannung ist niedrig und die Belastung ist zu hoch.	Laden Sie die Batterien, reduzieren Sie die Belastung oder wählen Sie größere Batteriekapazität. Nehmen Sie kürzere und/oder Dickere Batteriekabel.
Die Alarm LED brennt	Der Wechselrichter hat sich nach einem Voralarm abgeschaltet.	Suchen Sie in der Tabelle nach einer Lösungsmöglichkeit.

## 8. TECHNISCHE DATEN

Phoenix Wechselrichter	12 Volt 24 Volt	C 12/1200 C 24/1200	C 12/1600 C 24/1600
WECHSELRICHTER			
Eingangsspannungsbereich (V DC)		9,5 – 17V	19 – 33V
Ausgangs-Spannung		Ausgangs-Spannung: 230 VAC ± 2% Frequenz: 50 Hz ± 0,1% (1)	
Ausgangs-Dauerleistung bei 25°C (VA) (3)		1200	1600
Ausgangs-Dauerleistung bei 25°C (W)		1000	1300
Ausgangs-Dauerleistung bei 40°C (W)		900	1200
Ausgangs-Dauerleistung bei 65°C (W)		600	800
Spitzenleistung (W)		2400	3000
Maximaler Wirkungsgrad (%)		92 / 94	92 / 94
Leistungsaufnahme bei Nulllast (W)		8 / 10	8 / 10
Nulllast-Leistungsaufnahme, Suchmodus (W)		2 / 3	2 / 3
Allgemeine Daten			
Programmierbares Relais (4)		ja	
Schutz (2)		a - g	
Gemeinsame Merkmale		Betriebstemperaturbereich: -40 bis +65°C (Lüfterkühlung) Feuchte (nicht kondensierend): max 95%	
GEHÄUSE			
Gemeinsame Merkmale		Material & Farbe Aluminium (blau RAL 5012) Schutzklasse: IP 21	
Batterieanschluss		Batteriekabel 1,5m	
230 V Wechselstromanschluss		G-ST18i Stecker	
Gewicht (kg)		10	
Abmessungen (hwxwd in mm)		375x214x110	
NORMEN			
Sicherheit		EN 60335-1, EN 60335-2-29	
Emission / Immunity		EN 55014-1, EN 55014-2, EN 61000-3-3	

1) Kann auf 60Hz und auf 240V angepasst werden

2) Schutz

a. Kurzschluss Ausgang

b. Überlast

c. Batteriespannung zu hoch

d. Batteriespannung zu niedrig

e. Temperatur zu hoch

f. 230VAC am Wechselrichter Ausgang

g. Eingangs-Brummspannung zu hoch

3) Nicht lineare Belastung, Spitzenfaktor 3:1

5) Programmierbares Relais kann als Allgemeines Alarmrelais, Gleichstrom-Unterspannungs- oder Generator Start-Signal geschaltet werden



# 1. INSTRUCCIONES DE SEGURIDAD

## General

Antes de utilizar este equipo lea la documentación suministrada con este producto para familiarizarse con las instrucciones y medidas de seguridad. Este producto ha sido diseñado y comprobado de acuerdo con las normas internacionales. El equipo debe utilizarse exclusivamente para los fines para los que ha sido diseñado.

### ADVERTENCIA: PELIGRO DE DESCARGA ELÉCTRICA.

El producto se usa junto con una fuente de alimentación permanente (batería). Los terminales de entrada y/o salida podrían contener carga eléctrica peligrosa incluso cuando el equipo está apagado. Deberá desenchufarse siempre la alimentación CA y la batería antes de llevar a cabo el mantenimiento o reparación del producto.

El producto no tiene componentes internos que puedan ser manipulados por el usuario. No retire el panel frontal ni encienda el producto si cualquiera de los paneles ha sido retirado. Cualquier reparación deberá llevarla a cabo personal cualificado.

No utilice este producto en lugares con riesgo de explosión de gas o polvo. Consulte la información del fabricante de la batería para asegurarse de que el producto es compatible para su uso con la batería. Deberán cumplirse siempre las instrucciones de seguridad del fabricante.

ADVERTENCIA: No levante cargas pesadas sin ayuda.

## Instalación

Lea atentamente las instrucciones de instalación en el manual de instalación antes de instalar el equipo.

Este producto es un dispositivo de clase de seguridad I (suministrado con terminal de puesta a tierra). **El chasis debe estar conectado a tierra.** Hay un punto de puesta a tierra en la parte exterior del producto. Si sospecha que la puesta a tierra pueda estar dañada, deberá desconectar el equipo y asegurarse de que no se puede poner en marcha de forma accidental; póngase en contacto con personal técnico cualificado.

Compruebe que los cables de entrada CC y CA disponen de fusibles y de disyuntores. No sustituya nunca un componente de seguridad con uno de otro tipo. Consulte el manual para determinar cuál es el componente adecuado.

Antes de conectarlo a la corriente, asegúrese de que la fuente eléctrica disponible coincide con la configuración del producto descrita en el manual.

Compruebe que el equipo se utiliza en las condiciones ambientales correctas. No utilice el producto en un ambiente húmedo o polvoriento. Compruebe que hay suficiente espacio alrededor del producto para su ventilación y que los orificios de ventilación no están bloqueados.

Compruebe que la tensión necesaria para el sistema no exceda la capacidad del producto.

## **Transporte y almacenamiento**

Asegúrese de que los cables de alimentación y los de la batería han sido desconectados para su almacenamiento o transporte.

No se aceptará ninguna responsabilidad por cualquier daño ocasionado al equipo durante el transporte si este no lleva su embalaje original.

Guarde el producto en un entorno seco, la temperatura de almacenamiento debe oscilar entre  $-20^{\circ}\text{C}$  y  $60^{\circ}\text{C}$ .

Consulte el manual del fabricante de la batería para obtener información sobre el transporte, almacenamiento, recarga y eliminación de la batería.



## 2. DESCRIPCIÓN

### 2.1 General

#### **SinusMax – Un diseño superior**

Desarrollado para uso profesional, la gama de inversores Phoenix es ideal para innumerables aplicaciones. El criterio utilizado en su diseño fue el de producir un verdadero inversor sinusoidal con una eficiencia optimizada pero sin comprometer su rendimiento. Al utilizar tecnología híbrida de alta frecuencia, obtenemos como resultado un producto de la máxima calidad, de dimensiones compactas, ligero y capaz de suministrar potencia, sin problemas, a cualquier carga.

#### **Potencia de arranque adicional**

Una de las características singulares de la tecnología SinusMax consiste en su muy alta potencia de arranque. La tecnología de alta frecuencia convencional no ofrece un rendimiento tan extraordinario. Los inversores Phoenix, sin embargo, están bien dotados para alimentar cargas difíciles, como compresores, motores eléctricos y aparatos similares.

#### **Funcionamiento en paralelo y en trifásico**

Se pueden conectar hasta 6 inversores en paralelo para alcanzar una mayor potencia de salida.

También es posible su configuración para funcionamiento trifásico.

#### **Transferencia de la carga a otra fuente CA: el conmutador de transferencia automático**

Si se requiere un conmutador de transferencia automático, recomendamos usar el MultiPlus o el Quattro en vez de este. El conmutador está incluido en este producto y la función de cargador del MultiPlus/Quattro puede deshabilitarse. Los ordenadores y demás equipos electrónicos continuarán funcionando sin interrupción, ya que el MultiPlus/Quattro dispone de un tiempo de conmutación muy breve (menos de 20 milisegundos).

#### **Relé programable**

El Inversor Phoenix está equipado con un relé programable, que está programado por defecto como relé de alarma. Este relé se puede programar para cualquier tipo de aplicación, por ejemplo como relé de arranque para un grupo generador.

#### **Programable con conmutadores DIP, panel VE.Net u ordenador personal**

Phoenix Inverter se suministra listo para usar. Hay tres funciones para cambiar determinados ajustes si se desea:

- Los ajustes más importantes pueden modificarse de manera muy sencilla, con los interruptores DIP
- Todos los valores, con la excepción del relé programable, pueden cambiarse con un panel VE.Net.
- Todos los valores se pueden cambiar con un PC y el software gratuito que se puede descargar desde nuestro sitio web [www.victronenergy.com](http://www.victronenergy.com).

## 3. FUNCIONAMIENTO

### 3.1 Conmutador On/Off

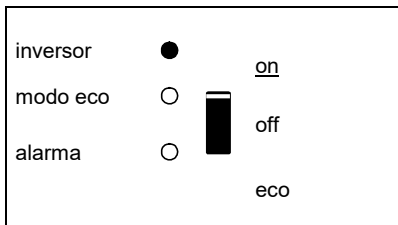
Al poner el conmutador en “on”, el producto empieza a funcionar. El inversor se pone en marcha y el LED “inverter on” se enciende.

### 3.2 Control remoto

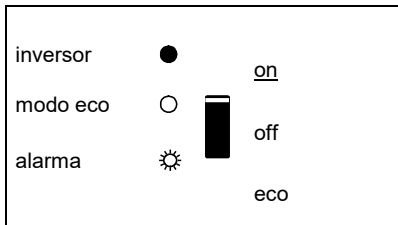
Es posible utilizar un control remoto con un interruptor on/off sencillo o con el panel de control del Phoenix Inverter.

### 3.3 Indicadores LED

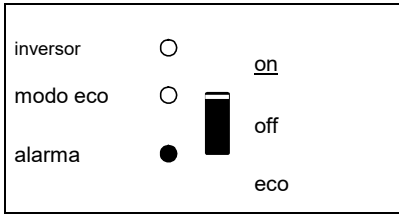
- LED apagado
- ☼ LED intermitente
- LED encendido



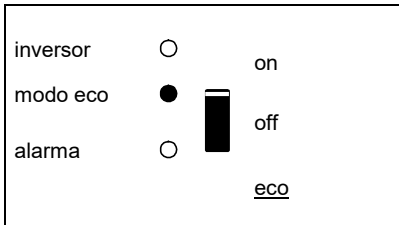
El inversor está encendido y suministra energía a la carga: Funcionamiento de la batería



El inversor está encendido y suministra energía a la carga:  
Prealarma Sobrecarga o  
Tensión de la batería baja o  
Temperatura del inversor alta



El inversor está apagado.  
 Alarma: Sobrecarga o  
 Tension de la batería baja o  
 Temperatura del inversor alta, o  
 Tensión de ondulación CC en el terminal  
 de la batería demasiado alta.



El inversor está en "modo eco" y  
 suministra energía a la carga:

## 4. INSTALACIÓN



El producto deberá ser instalado por un electricista cualificado.

### 4.1 Ubicación

El producto debe instalarse en una zona seca y bien ventilada, tan cerca como sea posible de las baterías. Debe dejarse un espacio de al menos 10cm. alrededor del aparato para refrigeración.



Una temperatura ambiente demasiado alta tendrá como resultado:  
Una menor vida útil.  
Una menor corriente de carga.  
Una menor capacidad de pico o que se apague el inversor.  
Nunca monte el aparato directamente sobre las baterías.

El producto está pensado para montarse en la pared. Consulte el Apéndice A. El aparato puede montarse horizontalmente o verticalmente, aunque es preferible el montaje vertical. Se refrigera mucho mejor en esta posición.



La parte interior del producto debe quedar accesible tras la instalación.

Intente que la distancia entre el producto y la batería sea la menor posible para minimizar la pérdida de tensión por los cables.



Por motivos de seguridad, este producto deberá instalarse en un entorno resistente al calor si se utiliza con equipos en los que se va a convertir una cantidad de electricidad importante. Debe evitarse en su proximidad la presencia de productos químicos, componentes sintéticos, cortinas u otros textiles, etc.



## 4.2 Conexión de los cables de batería

Para utilizar la capacidad del producto en su totalidad deben utilizarse baterías con capacidad suficiente y cables de batería de sección adecuada. Consulte la tabla siguiente:

	24/1200	24/1600	12/1200	12/1600
<b>longitud del cable pre-ensamblado: 1,5 m (mm<sup>2</sup>)</b>	<b>16</b>	<b>25</b>	<b>25</b>	<b>35</b>
Sección de cable recomendada (mm <sup>2</sup> )				
1,5 <sup>1</sup> → 5 m	25	35	50	70
5 → 10 m	50	70	100	140

	24/1200	24/1600	12/1200	12/1600
Capacidad de batería recomendada (Ah)	40 – 400	100 – 400	150 – 700	200 – 700

Observación: La resistencia interna es el factor determinante al trabajar con baterías de poca capacidad. Consulte a su proveedor o las secciones relevantes de nuestro libro "Electricidad a Bordo", que puede descargarse de nuestro sitio web.

### Procedimiento

Conecte los cables de batería de la manera siguiente:



Utilice una llave de tubo aislada para no cortocircuitar la batería. No ponga los cables de la batería en contacto entre ellos.

Conecte los cables de batería: El + (rojo) y el – (negro), a la batería; ver Apéndice A. Si se conectan los cables al revés (+ a – y – a +) se podrían causar daños al producto. (El fusible de seguridad interno del Multi Compact podría dañarse)  
Apriete bien las tuercas para reducir la resistencia de contacto todo lo posible.

## 4.3 Conexión del cableado CA

Este producto es un dispositivo de clase de seguridad I (suministrado con terminal de puesta a tierra).



**El cable neutro de la salida CA de este inversor está conectado al chasis.**

Con esto se garantiza el funcionamiento correcto del GFCI (o RCCB) que deberá instalarse en la salida AC del inversor.

El chasis de este producto debe conectarse a tierra, al chasis (de un vehículo) o a una placa de toma de tierra o al casco (de un barco).

El conector del terminal de salida de la red se ubica en la parte inferior del Inverter Compact, ver Apéndice A. El cable del pantalán o de red eléctrica deberá conectarse al conector con un cable de tres hilos.

### Procedimiento

El cable de salida CA puede conectarse directamente al conector macho. (¡el conector sale tirando de él!

Los puntos de terminal están claramente indicados. De izquierda a derecha: "N" (neutro), tierra, y "L1" (fase).

Introduzca el conector de "salida" en el conector "AC-out" (cerca de la parte trasera).

## 4.4 Opciones de conexión

Existen varias opciones de conexión distintas:

### 4.4.1 Panel de control remoto y conmutador on/off remoto

El producto puede manejarse de forma remota de dos maneras:

- Con un conmutador externo (terminal de conexión H, ver apéndice A). Sólo funciona si el conmutador del inversor está en "on".
- Con un panel deControl Phoenix Inverter (conectado a una de las dos tomas RJ48 C, ver apéndice A). Sólo funciona si el conmutador del inversor está en "on".

**Sólo se puede conectar un control remoto, es decir, o bien un conmutador o un panel de control remoto.**

### 4.4.2. Relé programable

Los inversores disponen de un relé multifuncional programado por defecto como relé de alarma. (Se necesita el software del VEConfigure para cambiar la función del relé).

Cuando se activa el relé, se ilumina un LED situado al lado de los terminales de conexión (consulte S, ver apéndice A).

#### 4.4.3 Conexión en paralelo

Los inversores pueden conectarse en paralelo con varias unidades idénticas. Para ello se establece una conexión entre los dispositivos mediante cables RJ45 UTP estándar. El sistema (uno o más inversores y un panel de control opcional) tendrá que configurarse posteriormente (ver Sección 5).

En el caso de conectar inversores en paralelo, deben cumplirse las siguientes condiciones:

- Un máximo de seis unidades conectadas en paralelo.
- Sólo deben conectarse en paralelo dispositivos idénticos.
- Los cables de conexión CC para los dispositivos deben tener la misma longitud y sección.
- Si se utiliza un punto de distribución negativo y positivo de CC, la sección de los cables que conectan las baterías y el punto de distribución CC debe ser al menos igual a la suma de las secciones de los cables necesarios para las conexiones entre el punto de distribución y los inversores.
- Coloque los inversores juntos, pero deje al menos 10 cm para ventilación por debajo, encima y junto a las unidades.
- Los cables UTP deben conectarse directamente desde una unidad a la otra (y al panel remoto). No se permiten cajas de conexión/separación.
- Sólo un medio de control remoto (panel o conmutador) puede conectarse al sistema.

#### 4.4.4 Funcionamiento trifásico

El Phoenix Inverter también puede utilizarse en una configuración trifásica i griega (Y). Para ello, se hace una conexión entre dispositivos mediante cables RJ45 UTP estándar (igual que para el funcionamiento en paralelo). El sistema (inversores y un panel de control opcional) tendrá que configurarse posteriormente (ver Sección 5).

Requisitos previos: ver Sección 4.4.3.

Nota: El Phoenix Inverter no es adecuado para una configuración trifásica delta ( $\Delta$ ).

## 5. CONFIGURACIÓN



Los ajustes sólo puede modificarlos un ingeniero cualificado.  
Lea las instrucciones detenidamente antes de realizar cambios.  
Las baterías deberán colocarse en un lugar seco y bien ventilado durante la carga.

### 5.1 Valores estándar: listo para usar

El inversor Phoenix se entrega con los valores estándar de fábrica. Por lo general, estos valores son adecuados para el funcionamiento autónomo de la unidad.

#### Valores estándar de fábrica

Frecuencia del inversor	50 Hz
Tensión del inversor	230 VCA
Autónomo/paralelo/trifásico	autónomo
Modo de búsqueda	off
Relé programable	función alarma

### 5.2 Explicación de los ajustes

#### **Frecuencia del inversor**

Frecuencia de salida  
Capacidad de adaptación: 50Hz; 60Hz

#### **Tensión del inversor**

Capacidad de adaptación: 210 – 245V

#### **Funcionamiento autónomo/paralelo/ajuste bi-trifásico**

Con varios dispositivos se puede:

- Aumentar la potencia total del inversor (varios dispositivos en paralelo).
- Crear un sistema de fase dividida.
- Crear un sistema trifásico.

Los ajustes del producto estándar son para funcionamiento autónomo. Para un funcionamiento en paralelo, trifásico o de fase dividida, ver sección 4.4.3 y 4.4.4.



**Modo de búsqueda** (Sólo aplicable para configuración autónoma).

Si el modo de búsqueda está activado, el consumo en funcionamiento sin carga disminuye aproximadamente un 70%. En este modo el Compact, cuando funciona en modo inversor, se apaga si no hay carga, o si hay muy poca, y se vuelve a conectar cada dos segundos durante un breve periodo de tiempo. Si la corriente de salida excede un nivel preestablecido, el inversor seguirá funcionando. En caso contrario, el inversor volverá a apagarse.

El Modo de búsqueda puede establecerse mediante un conmutador DIP.

Los niveles de carga "shut down" y "remain on" del Modo de Búsqueda pueden configurarse con el VEConfigure.

Los ajustes estándar son:

Apagado: 40 Vatios (carga lineal).

Encendido: 100 Vatios (carga lineal).

**AES (Automatic Economy Switch – conmutador de ahorro automático)**

Además del modo AES, también se puede seleccionar el Modo de búsqueda (sólo con la ayuda del VEConfigure).

Si este valor está "activado", el consumo de energía en un funcionamiento sin carga y con carga baja disminuye aproximadamente un 20%, "estrechando" ligeramente la tensión sinusoidal.

No puede ajustarse con conmutadores DIP.

Sólo aplicable para configuración autónoma.

**Relé programable**

El relé programable está configurado de forma predeterminada como relé de alarma, es decir, el relé se desactivará en caso de alarma o alarma previa (el inversor está demasiado caliente, la ondulación de la entrada es casi demasiado alta y la tensión de la batería está demasiado baja).

No puede ajustarse con conmutadores DIP.

Cuando se activa el relé, se ilumina un LED situado al lado de los terminales de conexión (consulte S, ver apéndice A).

## 5.3 Configuración por ordenador

Todos los valores pueden cambiarse con un ordenador o un panel VE.Net (excepto el relé multi-funcional y el VirtualSwitch cuando se utiliza VE.Net).

Algunos ajustes pueden cambiarse mediante conmutadores DIP (ver sección 5.2).

Para cambiar los valores con el ordenador, se necesita lo siguiente:

- Software VEConfigure3: puede descargarse gratuitamente en [www.victronenergy.com](http://www.victronenergy.com).
- Una Interfaz MK3-USB (VE.Bus a USB)

Como alternativa, se puede usar la interfaz MK2.2b (VE.Bus a RS232) (se necesitará un cable RJ45 UTP).

### 5.3.1 Configuración rápida del VE.Bus

**VE.Bus Quick Configure Setup** (configuración rápida del VE.Bus) es un programa con el que puede configurarse, de forma sencilla, tanto una unidad Compact como un sistema con un máximo de tres unidades Compact (en paralelo o trifásico). VEConfigure3 forma parte de este programa.

El software puede descargarse gratuitamente en [www.victronenergy.com](http://www.victronenergy.com).

### 5.3.2 VE.Bus System Configurator

Para configurar aplicaciones avanzadas y/o sistemas con cuatro o más inversores, debe utilizar el software **VE.Bus System Configurator**. El software puede descargarse gratuitamente en [www.victronenergy.com](http://www.victronenergy.com). VEConfigure3 forma parte de este programa.

## 5.4 Configuración por medio del panel VE.Net

Para esto, se necesita un panel VE.Net y un convertidor VE.Net a VE.Bus.

Con VE.Net podrá establecer todos los parámetros, con la excepción del relé multi-funcional y el VirtualSwitch.

## 5.5 Configuración con conmutadores DIP

Algunos ajustes pueden cambiarse mediante conmutadores DIP.

Procedimiento:

- Poner en marcha el Compact, preferiblemente sin carga.
- Configure los conmutadores DIP según sea necesario.
- Guarde la configuración poniendo el conmutador DIP 8 en "on" y otra vez en "off".

### 5.5.1. Conmutadores DIP 1 y 2

**Valores predeterminados: para controlar el producto con el conmutador "On/Off/Charger only" (cargador sólo)**

**ds 1: "off"**

**ds 2: "on"**

Se requerirá la configuración por defecto cuando se utilice el conmutador "On/Off/Charger Only" del panel frontal.

**Configuración para control remoto con un panel Multi Control:**

**ds 1: "on"**

**ds 2: "off"**

Se requerirá esta configuración cuando se conecte un panel Multi Control. El panel Multi Control debe estar conectado a una de las dos tomas RJ48 B, ver apéndice A.

**Configuración para control remoto con un conmutador de 3 vías:**

**ds 1: "off"**

**ds 2: "off"**

Se requerirá esta configuración cuando se conecte un conmutador de 3 vías. El conmutador de 3 vías debe conectarse al terminal L. ver apéndice A.

**Sólo se puede conectar un control remoto, es decir, o bien un conmutador o un panel de control remoto.**

**En ambos casos, el conmutador del propio aparato debe estar en "on".**

### 5.5.2 Ejemplos de configuración

El ejemplo 1 muestra los valores de fábrica (puesto que estos valores se introducen por ordenador, todos los conmutadores DIP de un producto nuevo están en "off", excepto para DS-2).

DS-1 Opción panel	off		DS-1	off		DS-1		on
DS-2 Opción panel		on	DS-2		on	DS-2	off	
DS-3 No utilizado			DS-3			DS-3		
DS-4 No utilizado			DS-4			DS-4		
DS-5 Frecuencia	off		DS-5		on	DS-5		on
DS-6 Modo búsq.	off		DS-6	off		DS-6		on
DS-7 No utilizado			DS-7			DS-7		
DS-8 Guardar config	→	←	DS-8	→	←	DS-8	→	←

<p>Ejemplo 1: (ajustes de fábrica)</p> <p>1 Ningún panel conectado</p> <p>2 Ningún panel conectado</p> <p>5 Frecuencia: 50Hz</p> <p>6 Modo de búsqueda en "off"</p> <p>8 Guardar configuración: off→ on→ off</p>	<p>Ejemplo 2:</p> <p>1 Ningún panel conectado</p> <p>2 Ningún panel conectado</p> <p>5 Frecuencia: 60Hz</p> <p>6 Modo de búsqueda en "off"</p> <p>8 Guardar configuración: off→ on→ off</p>	<p>Ejemplo 3:</p> <p>1 Panel conectado</p> <p>2 Panel conectado</p> <p>5 Frecuencia: 60Hz</p> <p>6 Modo de búsqueda en "on"</p> <p>8 guardar configuración: off→ on→ off</p>
--	---	--

Guarde los ajustes (DS3-DS7) cambiando la posición "off" del conmutador DS8 a "on" y después otra vez a "off"

Los LED "Inverter", "eco mode" y "alarm" parpadearán cuatro veces para indicar la aceptación de estos valores.



## 6. MANTENIMIENTO

El Compact no necesita un mantenimiento específico. Bastará con comprobar todas las conexiones una vez al año. Evite la humedad y la grasa, el hollín y el vapor y mantenga limpio el equipo.

## 7. TABLA DE RESOLUCIÓN DE PROBLEMAS

Proceda de la manera siguiente para detectar rápidamente los fallos más comunes.

Consulte a su distribuidor de Victron Energy si no puede resolver el fallo.

Problema	Causa	Solución
El inversor no funciona al ponerlo en marcha.	La tensión de la batería es muy alta o muy baja.	Compruebe que la tensión de la batería sea la correcta.
El inversor no funciona	El procesador está en modo parada.	Ponga el conmutador frontal en "off", espere 4 segundos y vuelva a poner el conmutador en "on".
El LED de alarma parpadea.	Prealarma 1. La tensión CC de entrada es baja.	Cargue la batería o compruebe las conexiones de la misma.
El LED de alarma parpadea.	Prealarma 2. La temperatura ambiente es demasiado alta.	Coloque el inversor en una habitación fresca y bien ventilada o reduzca la carga.
El LED de alarma parpadea.	Prealarma 3. La carga del inversor supera la carga nominal.	Reducir la carga.
El LED de alarma parpadea.	Prealarma 4. La tensión de ondulación en la entrada CC supera 1,25 Vrms.	Compruebe los cables de la batería y los terminales. Compruebe la capacidad de la batería; aumentela si fuese necesario.
El LED de alarma parpadea de manera intermitente.	Prealarma 5. Baja tensión de batería y carga excesiva.	Cargue las baterías, reduzca la carga o instale baterías de mayor capacidad. Use cables de batería más cortos y/o más gruesos.
El LED de alarma está encendido	El inversor se apagó después de una prealarma.	Compruebe la tabla para tomar la acción más apropiada.

## 8. INFORMACIÓN TÉCNICA

Inversor Phoenix	12 Voltios 24 Voltios	C 12/1200 C 24/1200	C 12/1600 C 24/1600
INVERSOR			
Rango de tensión de entrada (V CC)		9,5 – 17V	19 – 33V
Salida		Tensión de salida: 230 VAC ± 2% Frecuencia: 50 Hz ± 0,1% (1)	
Potencia cont. de salida a 25°C (VA) (3)		1200	1600
Potencia cont. de salida a 25°C (W)		1000	1300
Potencia cont. de salida a 40°C (W)		900	1200
Potencia cont. de salida a 65°C (W)		600	800
Pico de potencia (W)		2400	3000
Eficacia máxima (%)		92 / 94	92 / 94
Consumo en vacío (W)		8 / 10	8 / 10
Consumo en vacío en modo de búsqueda (W)		2 / 3	2 / 3
GENERAL			
Relé programable (4)		sí	
Protección (2)		a - g	
Características comunes		Temperatura de funcionamiento: -40 a + 65°C (refrigerado por aire) Humedad (sin condensación) : máx. 95%	
CARCASA			
Características comunes		Material y color: aluminio (azul RAL 5012) Tipo de protección: IP 21	
Conexiones de la batería		Cables de batería de 1,5 metros	
Conexión 230V CA		Conector G-ST18i	
Peso (kg)		10	
Dimensiones (al x an x p en mm)		375x214x110	
NORMATIVAS			
Seguridad		EN 60335-1, EN 60335-2-29	
Emisiones / Normativas		EN 55014-1, EN 55014-2, EN 61000-3-3	

- 1) Puede ajustarse a 60Hz, y a 240V.
- 2) Protección
  - a. Cortocircuito de salida
  - b. Sobrecarga
  - c. Tensión de la batería demasiado alta
  - d. Tensión de la batería demasiado baja
  - e. Temperatura demasiado alta
  - f. 230VAC de salida del inversor
  - g. Ondulación de la tensión de entrada demasiado alta
- 3) Carga no lineal, factor de cresta 3:1
- 4) Relé programable que puede configurarse como alarma general, subvoltaje CC o señal de arranque para el generador

# 1. ISTRUZIONI DI SICUREZZA

## Informazioni generali

Si prega di familiarizzarsi con le funzioni di sicurezza e le istruzioni, leggendo anzitutto la documentazione fornita con il prodotto, prima di utilizzare il dispositivo. Il presente prodotto è progettato e testato in conformità alle normative internazionali. Le apparecchiature devono essere utilizzate esclusivamente per l'applicazione prevista.

### AVVERTENZA: RISCHIO DI SCOSSA ELETTRICA.

L'utilizzo del presente prodotto prevede la presenza di una fonte di energia permanente (batteria). I morsetti di ingresso e/o uscita possono rimanere pericolosamente sotto tensione anche quando l'apparecchio è disattivato. Scollegare sempre l'alimentazione in CA e la batteria prima di effettuare operazioni di manutenzione o assistenza sul prodotto.

Il prodotto non contiene componenti interni riparabili dall'utente. Non rimuovere il pannello anteriore e non attivare il prodotto se alcuni pannelli sono stati rimossi. Qualsiasi intervento di assistenza deve essere svolto da personale qualificato.

Mai utilizzare il prodotto in luoghi in cui vi sia rischio di esplosioni di gas o polvere. Consultare il manuale di istruzioni della batteria per accertarsi che il prodotto sia idoneo all'uso con la batteria. Attenersi sempre alle istruzioni di sicurezza fornite dal produttore della batteria.

AVVERTENZA: Non sollevare carichi pesanti senza assistenza.

## Installazione

Leggere le istruzioni contenute nel manuale, prima di procedere all'installazione.

Il presente prodotto è in classe di sicurezza I (fornito con terminale di terra di protezione). **Mettere a terra la carcassa.** Un punto di messa a terra è collocato all'esterno del prodotto. Nel caso si sospetti un danneggiamento della protezione di terra, disattivare il prodotto e prendere le necessarie precauzioni per scongiurare un'accensione accidentale. Contattare personale di assistenza qualificato.

Accertarsi che i cavi di ingresso in CC e CA siano completi di fusibili ed interruttori. Mai sostituire un dispositivo di protezione con un componente di tipo diverso. Consultare il manuale per stabilire quale sia il componente adeguato.

Prima di applicare la tensione, verificare che le fonti di tensione disponibili siano conformi alle impostazioni di configurazione del prodotto descritte nel manuale.

Accertarsi che l'apparecchio venga utilizzato nelle corrette condizioni ambientali. Mai utilizzarlo in ambienti umidi o polverosi. Accertarsi che attorno al prodotto vi sia sufficiente spazio libero per l'aerazione e che le aperture di ventilazione non siano ostruite.

Accertarsi che la tensione di sistema richiesta non superi la capacità del prodotto.

## **Trasporto e magazzinaggio**

Prima di immagazzinare o trasportare il prodotto, accertarsi che l'alimentazione di rete e i cavi della batteria siano scollegati.

Si declina qualsiasi responsabilità per danneggiamenti durante il trasporto, qualora l'apparecchio non venga trasportato nel suo imballo originale.

Conservare il prodotto in ambiente asciutto; la temperatura di magazzinaggio deve essere compresa tra  $-20^{\circ}\text{C}$  e  $60^{\circ}\text{C}$ .

Consultare il manuale di istruzioni della batteria per informazioni relative a trasporto, magazzinaggio, carica, ricarica e smaltimento della batteria.



## 2. DESCRIZIONE

### 2.1 Informazioni generali

#### **SinusMax - Ingegneria superiore**

Concepita per un utilizzo professionale, la linea di inverter Phoenix è compatibile con una vastissima gamma di applicazioni. Il criterio alla base della progettazione è stato quello di produrre un vero inverter ad onda sinusoidale con efficienza ottimizzata ma nessuna riduzione delle prestazioni. Grazie all'utilizzo di una tecnologia ibrida AF, il risultato è un prodotto di prima qualità compatto nelle dimensioni, contenuto nel peso e in grado di alimentare qualsiasi carico senza alcun problema.

#### **Potenza di avviamento aggiuntiva**

Una delle caratteristiche uniche della tecnologia SinusMax è l'altissima potenza di avviamento. La normale tecnologia ad alta frequenza non offre prestazioni tanto elevate. Gli inverter Phoenix sono comunque idonei all'alimentazione di carichi difficili quali compressori, motori elettrici e dispositivi simili.

#### **Possibilità di funzionamento parallelo e trifase**

È possibile far funzionare fino a 6 inverter in parallelo per ottenere una maggiore erogazione di potenza.

È anche possibile una configurazione di utilizzo trifase.

#### **Trasferimento del carico ad una fonte in CA alternativa: il commutatore di trasferimento automatico**

In caso sia necessario un commutatore di trasferimento automatico, si raccomanda l'utilizzo del MultiPlus o, alternativamente, del Quattro. Il commutatore è infatti incluso in questi prodotti e la funzione caricabatterie del MultiPlus/Quattro può essere sempre disabilitata. Computer ed altre apparecchiature elettroniche continueranno a funzionare senza interruzione poiché il MultiPlus/Quattro presenta un tempo di commutazione estremamente basso (inferiore a 20 millisecondi).

#### **Relè programmabile**

L'inverter Phoenix è dotato di un relè programmabile che per default è impostato come relè di allarme e che, tuttavia, può essere programmato per tutti gli altri tipi di applicazione, come, ad esempio, per la funzione da relè di avviamento di un generatore.

#### **Programmazione tramite DIP switch, pannello VE.Net o PC**

L'inverter Phoenix viene fornito già pronto per l'utilizzo. Tuttavia, sono disponibili tre caratteristiche che consentono di modificare alcune impostazioni, se lo si desidera:

- Le impostazioni più importanti possono essere modificate in modo molto semplice, usando i DIP switch.

- Ad eccezione del relè programmabile, tutte le impostazioni possono essere modificate tramite il pannello VE.Net.

- Tutte le impostazioni possono essere modificate utilizzando un PC e un software gratuito, scaricabile dal nostro sito internet [www.victronenergy.com](http://www.victronenergy.com).

## 3. FUNZIONAMENTO

### 3.1 Interruttore On/Off

Quando l'interruttore è posto su "on" (acceso), il prodotto è pienamente funzionale. L'inverter entra in funzione determinando l'accensione del LED "inverter on" (inverter acceso).

### 3.2 Controllo a distanza

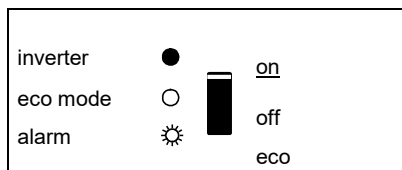
Il controllo a distanza è realizzabile con un semplice interruttore on/off o con un pannello Phoenix Inverter Control.

### 3.3 Segnalazioni a LED

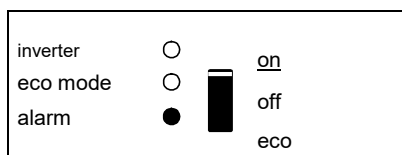
- LED spento
- ☀ LED lampeggiante
- LED acceso



L'inverter è acceso e alimenta il carico.  
Batteria in funzione.



L'inverter è acceso e alimenta il carico.  
Preallarme: sovraccarico o  
bassa tensione della batteria o  
sovratemperatura inverter



L'inverter è spento.  
Allarme: sovraccarico o  
bassa tensione della batteria o  
sovratemperatura inverter o  
eccessiva tensione di ondulazione in CC  
sul



L'inverter è acceso in "modalità eco" e  
alimenta il carico.

## 4. INSTALLAZIONE



L'installazione del presente prodotto deve essere effettuata da elettricisti qualificati.

### 4.1 Posizionamento

Installare il prodotto in luogo asciutto, ben ventilato e il più possibile vicino alle batterie. Attorno al dispositivo deve essere lasciato uno spazio libero di almeno 10 cm per consentirne il raffreddamento.



Una temperatura ambiente troppo elevata porta alle seguenti conseguenze:  
Durata di vita ridotta.  
Corrente di carica inferiore  
Potenza di picco ridotta o arresto completo dell'inverter.  
Mai montare il dispositivo direttamente sopra le batterie.

Il prodotto è predisposto per il montaggio a muro. Per il montaggio vedere Appendice A. Il dispositivo può essere montato orizzontalmente e verticalmente; il montaggio verticale è preferibile. La posizione verticale, infatti, garantisce il raffreddamento ideale.



Dopo l'installazione deve essere possibile accedere alle parti interne del prodotto.

Mantenere al minimo la distanza tra il prodotto e la batteria, in modo da ridurre al massimo la perdita di tensione dei cavi.



Ai fini della sicurezza, installare il presente prodotto in ambiente termoresistente, se deve essere utilizzato assieme ad apparecchiature all'interno delle quali viene convertita una quantità consistente di energia. Accertarsi che nelle immediate vicinanze non vi siano sostanze chimiche, elementi in materiale sintetico, tende e altri materiali tessili, ecc.

## 4.2 Collegamento dei cavi della batteria

Per sfruttare a pieno il potenziale del prodotto, utilizzare batterie con capacità sufficiente e cavi di collegamento batteria di sezione adeguata. Fare riferimento alla tabella seguente:

	24/1200	24/1600	12/1200	12/1600
<b>Lunghezza cavo pre-assemblato 1,5 m (mm<sup>2</sup>)</b>	<b>16</b>	<b>25</b>	<b>25</b>	<b>35</b>
Sezione consigliata (mm <sup>2</sup> )				
1,5 <sup>1</sup> → 5 m	25	35	50	70
5 → 10 m	50	70	100	140

	24/1200	24/1600	12/1200	12/1600
Capacità batterie consigliata (Ah)	40 – 400	100 – 400	150 – 700	200 – 700

Annotazione: La resistenza interna è il fattore più importante quando si lavora con batterie a bassa capacità. Consultare il fornitore o le sezioni pertinenti della pubblicazione “Electricity on board” (“Elettricità a bordo”), scaricabile dal nostro sito internet.

### Procedura

Per il collegamento dei cavi della batteria, procedere come segue:



Utilizzare una chiave a tubo con isolamento per evitare di mettere in cortocircuito la batteria.  
Evitare di mettere in cortocircuito i cavi di collegamento della batteria.

Collegare i cavi di collegamento della batteria: il + (rosso) e il - (nero) alla batteria, vedere Appendice A.

Il collegamento a polarità inversa (+ su - e - su +) provoca il danneggiamento del prodotto. (Il fusibile di sicurezza posto all'interno dell'Inverter Phoenix Compact può danneggiarsi)  
Serrare a fondo i dadi, in modo da ridurre al massimo la resistenza di contatto.



## 4.3 Collegamento dei cavi in AC

Il presente prodotto è in classe di sicurezza I (fornito con terminale di terra di protezione).



**Il cavo neutro dell'uscita in CA di questo inverter è collegato alla carcassa.**

Ciò garantisce il corretto funzionamento di un interruttore differenziale salvavita GFCI (o RCCB) da installare sull'uscita in CA dell'inverter. Collegare a terra la carcassa del prodotto o il telaio (del veicolo), lo scafo o la piastra di messa a terra (dell'imbarcazione).

### Procedura

Il filo dell'uscita in CA può essere direttamente collegato al connettore maschio, sito sul fondo della carcassa. (il connettore si estrae!)

I punti di raccordo sono indicati chiaramente. Da sinistra a destra: "N" (neutro), terra e "L1" (fase).

Utilizzare cavi a tre fili con anima flessibile e sezione di 1,5 o 2,5 mm<sup>2</sup>.

## 4.4 Collegamenti opzionali

Sono inoltre possibili alcuni collegamenti opzionali:

### 4.4.1 Interruttore on/ off remoto e pannello di controllo remoto

Il controllo remoto del prodotto si può ottenere nei due modi seguenti:

- Tramite interruttore esterno (morsetto di collegamento H, vedere appendice A) Funziona solamente se l'interruttore dell'inverter è impostato su "on".
- Tramite pannello Phoenix Inverter Control (collegato ad uno dei due connettori RJ48 C, vedere appendice A). Funziona solamente se l'interruttore dell'inverter è impostato su "on".

**È possibile collegare un solo controllo remoto, ossia o un interruttore o un pannello remoto di controllo.**

### 4.4.2. Relè programmabile

Gli inverter sono dotati di un relè multifunzione che per default è impostato come relè di allarme (per la modifica della funzione del relè è necessario il software VEConfigure).

#### 4.4.3 Collegamento in parallelo

Gli inverter possono essere collegati in parallelo con svariati dispositivi identici. Tale collegamento viene realizzato tra i dispositivi per mezzo di cavi di rete RJ45 UTP standard. Successivamente il sistema (uno o più Inverter ed eventuale pannello di controllo) necessiterà di specifica configurazione (vedere Sezione 5).

Nel caso di un collegamento in parallelo, si dovranno soddisfare i seguenti requisiti:

- Numero massimo di unità collegate in parallelo: sei.
- Collegamento in parallelo esclusivamente di dispositivi identici.
- Uguale lunghezza e sezione dei cavi di collegamento in CC tra i dispositivi.
- In caso di utilizzo di punti di distribuzione in CC positivi e negativi, la sezione del collegamento tra le batterie e il punto di distribuzione di CC deve equivalere almeno alla somma delle sezioni necessarie per i collegamenti tra il punto di distribuzione e gli Inverter.
- Collocare le unità in modo che siano vicine tra loro, ma lasciare almeno 10 cm di spazio sotto, sopra e ai lati delle unità per consentire una corretta aerazione.
- Collegare i cavi UTP direttamente da una unità all'altra (e al pannello remoto). Non sono ammesse scatole di collegamento o di distribuzione.
- È possibile collegare al sistema un solo dispositivo di comando remoto (pannello o interruttore).

#### 4.4.4 Funzionamento trifase

È possibile utilizzare l'inverter Phoenix anche in configurazione trifase a Y. Per tale configurazione viene realizzato un collegamento tra i dispositivi per mezzo di cavi di rete RJ45 UTP standard (gli stessi utilizzati per il funzionamento in parallelo). Successivamente il sistema (gli inverter ed eventuale pannello di controllo) necessiterà di specifica configurazione (vedere Sezione 5).

Pre-requisiti: vedere la sezione 4.4.3.

Accanto ai morsetti di collegamento è posto un LED che si accende quando il relè si attiva (fare riferimento a S, appendice A)

Nota: l'Inverter Phoenix non ammette la configurazione trifase a delta ( $\Delta$ ).

## 5. CONFIGURAZIONE



Eventuali modifiche alle impostazioni devono essere effettuate solo da ingegneri qualificati.

Leggere attentamente le istruzioni prima di procedere alle modifiche.

Collocare le batterie in luogo asciutto e ben ventilato durante la carica.

### 5.1 Impostazioni standard: pronto per l'uso

Al momento della consegna l'inverter Phoenix è regolato sulle impostazioni di fabbrica standard. Generalmente, le impostazioni sono regolate per garantire il funzionamento autonomo.

#### Impostazioni di fabbrica standard

Frequenza inverter	50 Hz
Tensione inverter	230 VCA
Funzionamento autonomo / parallelo / trifase	stand-alone
Modalità di ricerca	off
Relè programmabile	funzione di allarme

### 5.2 Spiegazione delle impostazioni

#### **Frequenza inverter**

Frequenza in uscita

Possibilità di regolazione: 50Hz; 60Hz

#### **Tensione inverter**

Possibilità di regolazione: 210 – 245V

#### **Funzionamento autonomo/ parallelo/ impostazione bi-trifase**

Utilizzando più dispositivi, è possibile:

- Aumentare la potenza totale dell'inverter (più dispositivi in parallelo).
- Creare una sistema con fase ausiliaria.
- Creare una sistema trifase.

Le impostazioni standard del prodotto sono concepite per funzionamento autonomo. Per l'operazione in parallelo, trifase o split phase, vedere le sezioni 4.4.3 e 4.4.4.

**Modalità Search (ricerca)** (Applicabile solamente alla configurazione di funzionamento autonomo)

Se la modalità di ricerca è su "on", il consumo di energia durante il funzionamento a vuoto diminuisce di circa il 70%. In questa modalità il Compact, durante il funzionamento come inverter, si spegne in caso di operazione a vuoto o condizioni di carico minimo e si riaccende brevemente ogni due secondi. Se la corrente di uscita supera un livello predeterminato, l'inverter continuerà a funzionare. Altrimenti si disattiverà nuovamente.

La modalità Search è impostabile tramite DIP switch.

È possibile impostare i livelli di carico "shut down" (spegnimento) e "remain on" (funzionamento continuo) della modalità Search tramite il VEConfigure.

Le impostazioni standard sono:

Spegnimento: 40 Watt (carico lineare).

Accensione: 100 Watt (carico lineare).

### **AES (Risparmio energetico automatico)**

Invece della modalità di ricerca, si può selezionare anche la modalità AES (solamente con l'aiuto di VEConfigure).

Se questa impostazione è attiva, il consumo di energia durante il funzionamento a vuoto o con carico minimo diminuisce di circa il 20% con una minima "riduzione di ampiezza" della tensione sinusoidale.

Regolazione con DIP switch non ammessa.

Applicabile solamente alla configurazione di funzionamento autonomo.

### **Relè programmabile**

Per difetto, il relè programmabile è impostato in funzione di allarme, ossia il relè si disaccende in caso di allarme o preallarme (temperatura inverter eccessiva, ondulazione in ingresso troppo elevata, tensione della batteria troppo bassa).

Regolazione con DIP switch non ammessa.

Accanto ai morsetti di collegamento è posto un LED che si accende quando il relè si attiva (fare riferimento a S, appendice A)

## 5.3 Configurazione tramite computer

È possibile modificare tutte le impostazioni tramite un computer o un pannello VE.Net (esclusi relè multifunzione e VirtualSwitch in caso di utilizzo di VE.Net).

È possibile modificare alcune impostazioni tramite DIP switch (vedere Sezione 5.2).

Per la modifica delle impostazioni tramite computer sono necessari:

- Il software VEConfigure3, scaricabile gratuitamente da [www.victronenergy.com](http://www.victronenergy.com).
- Un'interfaccia MK3-USB (da VE.Bus a USB).

In alternativa, si può utilizzare l'Interfaccia MK2.2b (da VE.Bus a RS232) (è necessario un cavo RJ45 UTP).

### 5.3.1 VE.Bus Quick Configure Setup

**VE.Bus Quick Configure Setup** è un software tramite il quale è possibile configurare in maniera semplice una unità Compact o sistemi di massimo tre unità Compact (funzionamento in parallelo o trifase). VEConfigure3 fa parte di questo programma. Il software gratuito si può scaricare da [www.victronenergy.com](http://www.victronenergy.com).

### 5.3.2 VE.Bus System Configurator

Per la configurazione di applicazioni avanzate e/o di sistemi composti di quattro o più inverter, utilizzare il software **VE.Bus System Configurator**. Il software si può scaricare gratuitamente da [www.victronenergy.com](http://www.victronenergy.com). VEConfigure3 fa parte di questo programma.

## 5.4 Configurazione tramite il pannello VE.Net

Per tale funzione sono necessari il pannello VE.Net ed il convertitore da VE.Net a VE.Bus.

Con VE.Net è possibile impostare tutti i parametri ad eccezione del relè multifunzione e del VirtualSwitch.

## 5.5 Configurazione con DIP switch.

È possibile modificare alcune impostazioni tramite DIP switch

Procedura:

- a) Attivare il Compact, preferibilmente senza carico.
- b) Impostare i DIP switch come richiesto.
- c) Salvare le impostazioni spostando il DIP switch 8 su "on" e poi di nuovo su "off".

### 5.5.1. DIP switch 1 e 2

**Impostazione per difetto: per azionare il prodotto con l'interruttore 'On/Off/Charger Only'**

**ds 1: "off"**

**ds 2: "on"**

L'impostazione di default è necessaria quando si utilizza l'interruttore "On/Off/Charger Only" sul pannello anteriore.

**Impostazione per funzionamento remoto con pannello Multi Control:**

**ds 1: "on"**

**ds 2: "off"**

Questa impostazione è necessaria in caso di collegamento del pannello Multi Control. Il pannello Multi Control deve essere collegato ad uno dei due connettori RJ48 B, vedere appendice A.

**Impostazione per funzionamento remoto con interruttore a 3 vie:**

**ds 1: "off"**

**ds 2: "off"**

Questa impostazione è necessaria in caso di collegamento di un interruttore a 3 vie. L'interruttore a 3 vie deve essere cablato al morsetto L, vedere appendice A.

**È possibile collegare un solo controllo remoto, ossia o un interruttore o un pannello remoto di controllo.**

**In entrambi i casi l'interruttore sul prodotto stesso dovrebbe trovarsi su "on".**

## 5.5.2 Esempi di impostazione

L'esempio 1 illustra l'impostazione di fabbrica (dal momento che le impostazioni di fabbrica vengono impostate tramite computer, tutti i DIP switch di un prodotto nuovo sono impostati su "off" - spento - tranne il DS-2).

DS-1 Opzione pannello DS-2 Opzione pannello DS-3 Non in uso DS-4 Non in uso DS-5 Frequenza Search DS-6 Modalità Search DS-7 Non in uso DS-8 Salva impostazioni		DS-1 DS-2 DS-3 DS-4 DS-5 DS-6 DS-7 DS-8		DS-1 DS-2 DS-3 DS-4 DS-5 DS-6 DS-7 DS-8	
Esempio 1: (impostazioni di fabbrica) 1 Pannello non collegato 2 Pannello non collegato 5 Frequenza: 50Hz 6 Mod. search disatt. 8 Salva imp.: off→ on→ off	Esempio 2: 1 Pannello non collegato 2 Pannello non collegato 5 Frequenza: 60Hz 6 Mod. search disatt. 8 Salva imp.: off→ on→ off	Esempio 3: 1 Pannello collegato 2 Pannello collegato 5 Frequenza: 60Hz 6 Mod. search attiva 8 Salva imp.: off→ on→ off			

Salvare le impostazioni (DS3-DS7) spostando il DIP switch ds-8 da off a on e poi di nuovo a off.

I LED "Inverter", "modalità eco" e "allarme" lampeggiano quattro volte per segnalare che le impostazioni sono state accettate.

## 6. MANUTENZIONE

Il Compact non richiede particolare manutenzione. Sarà sufficiente controllare annualmente tutti i collegamenti. Evitare che il dispositivo venga a contatto con umidità, olio, fuliggine o vapori e pulirlo regolarmente.

## 7. TABELLA DI RISOLUZIONE PROBLEMI

Per l'individuazione dei guasti più comuni procedere come indicato di seguito.

Contattare il concessionario Victron Energy di fiducia in caso sia impossibile sanare il guasto.

Problema	Causa	Risoluzione
Mancato avviamento dell'inverter all'accensione.	La tensione di batteria è troppo alta o troppo bassa.	Accertarsi che la tensione della batteria rientri nell'intervallo corretto.
L'inverter non funziona.	Il processore è in modalità di non funzionamento.	Disattivare l'interruttore anteriore, attendere 4 secondi Attivare l'interruttore anteriore.
Il LED di allarme lampeggia.	Preallarme, caso 1. Bassa tensione di ingresso CC.	Caricare la batteria o controllarne i collegamenti.
Il LED di allarme lampeggia	Preallarme, caso 2. Temperatura ambiente troppo elevata.	Posizionare l'inverter in ambiente fresco e ben ventilato o ridurre il carico.
Il LED di allarme lampeggia.	Preallarme, caso 3. Carico dell'inverter superiore al carico nominale.	Ridurre il carico.
Il LED di allarme lampeggia.	Preallarme, caso 4. Tensione di ondulazione su ingresso in CC superiore a 1,25V rms.	Controllare cavi e morsetti della batteria. Controllare la capacità della batteria e aumentarla se del caso.
Il LED di allarme lampeggia intermittenment e.	Preallarme, caso 5. Bassa tensione di batteria e carico troppo elevato.	Caricare le batterie, ridurre il carico o installare batterie con maggiore capacità. Montare cavi batteria più corti e/o più spessi.
Il LED di allarme è acceso	L'inverter si è disinserito a seguito di preallarme.	Verificare sulla tabella l'azione da intraprendere.



## 8. SPECIFICHE TECNICHE

Inverter Phoenix	12 Volt 24 Volt	C 12/1200 C 24/1200	C 12/1600 C 24/1600
INVERTER			
Intervallo tensione di ingresso (V CC)		9,5 – 17V	19 – 33V
Uscita		Tensione di uscita: 230 VCA $\pm$ 2% Frequenza: 50 Hz $\pm$ 0,1% (1)	
Potenza di uscita continua a 25°C (VA)		1200	1600
Potenza di uscita continua a 25°C (W)		1000	1300
Potenza di uscita continua a 40°C (W)		900	1200
Potenza di uscita continua a 65°C (W)		600	800
Potenza di picco (W)		2400	3000
Efficienza massima (%)		92 / 94	92 / 94
Potenza a vuoto (W)		8 / 10	8 / 10
Alimentazione carico zero in modalità		2 / 3	2 / 3
GENERALE			
Relè programmabile (4)		sì	
Protezione (2)		a - g	
Caratteristiche Comuni		Campo temp. di esercizio: da -40 a +65° (raffreddamento a ventola) Umidità (non condensante): max 95%	
CARCASSA			
Caratteristiche Comuni		Materiale e colore: alluminio (blu RAL 5012) Protezione: IP 21	
Collegamento batteria		Cavi batteria da 1,5 metri	
Collegamento in CA 230V		Connettore G-ST18i	
Peso (kg)		10	
Dimensioni (AxLxP in mm)		375x214x110	
NORMATIVE			
Sicurezza		EN 60335-1, EN 60335-2-29	
Emissioni / Inalterabilità		EN 55014-1, EN 55014-2, EN 61000-3-3	

1) Regolabile a 60Hz e 240V

2) Protezione

a. Cortocircuito in uscita

b. Sovraccarico

c. Sovratensione della batteria

c. Sottotensione della batteria

e. Sovratemperatura

f. 230VCA sull'uscita dell'inverter

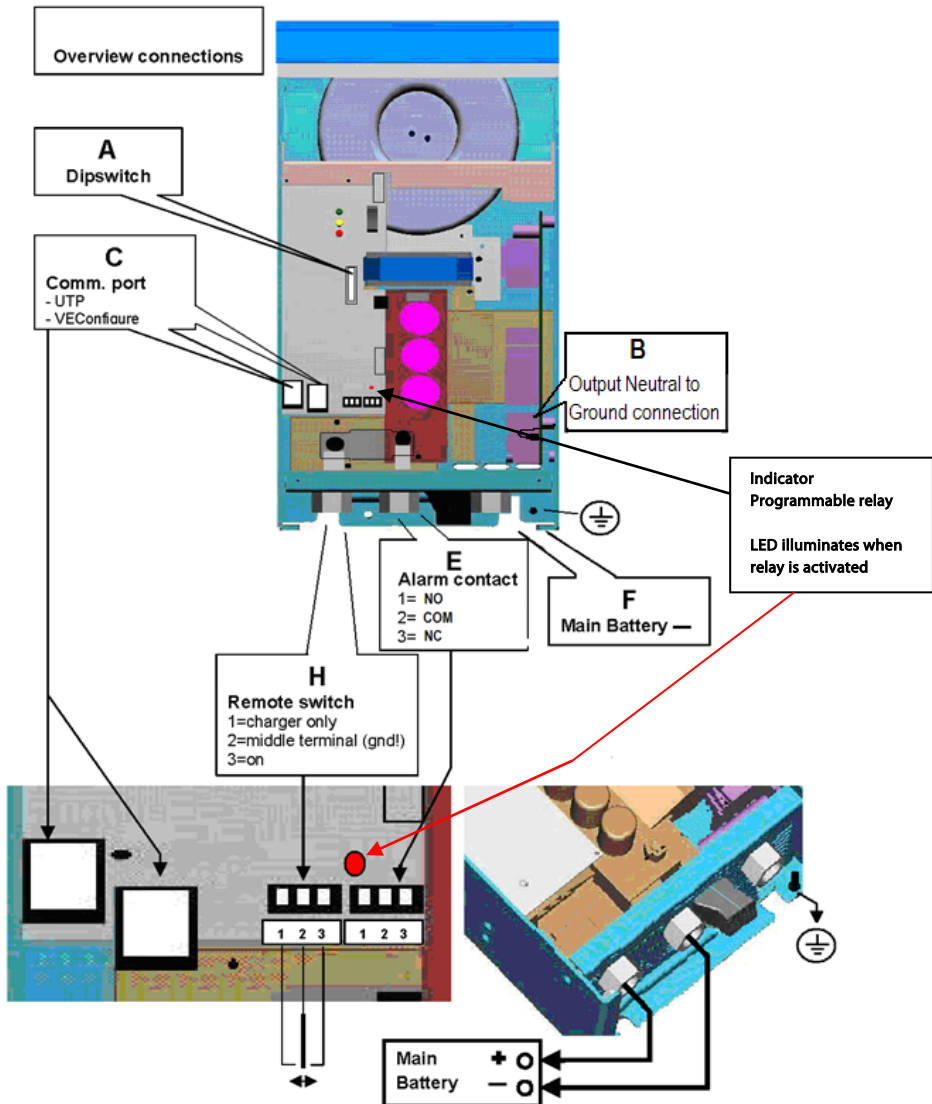
g. Tensione di ondulazione di ingresso troppo elevata

3) Carico non lineare, fattore di cresta 3:1

4) Relè programmabile per le funzioni di allarme generale, segnale di sottotensione in CC o segnale di avviamento del generatore.



Appendix A: overview connections  
 Bijlage A: overzicht aansluitingen  
 Annexe A : vue d'ensemble des connections  
 Anhang A: Übersicht Anschlüsse  
 Apéndice A: conexiones generales  
 Appendice A: panoramica connessioni

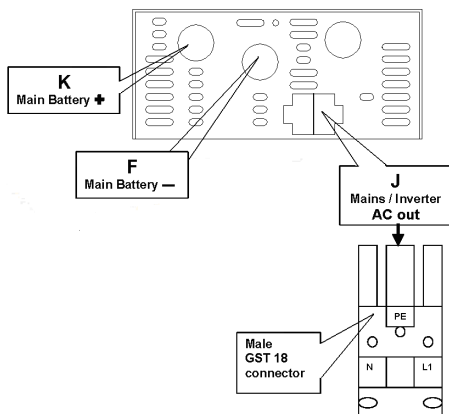


**Appendix A: overview connections**  
**Bijlage A: overzicht aansluitingen**  
**Annexe A : vue d'ensemble des connections**  
**Anhang A: Übersicht Anschlüsse**  
**Apéndice A: conexiones generales**  
**Appendice A: panoramica connessioni**

	EN	NL	FR
A	DIP switch	DIP switch schakelaar	Commutateur DIP switch
B	Output Neutral to Ground connection	Uitgangs Nul met kast Aarde verbinding	Connexion du neutre de sortie à la terre
C	Communications port	Communicatiepoort	Port de communication
E	Alarm contact	Alarm contact	Contact d'alarme
F	Batterie Minus	Accu Minus	Négatif batterie
H	Remote control	Afstandsbediening	Commande à distance

	DE	ES	IT
A	DIP Switch Schalter	Conmutador DIP switch	DIP switch
B	Schutzleiter PE (ERDUNG) Anschlüsse	Salida de conexión del neutro a tierra	Collegamento uscita neutro a terra
C	Kommunikationsanschluss	Puerto de comunicaciones	Porta di comunicazione
E	Alarmkontakt	Contacto de alarma	Contatto allarme
F	Batterie Minus	Negativo de la batería	Polo negativo batteria
H	Fernbedienug	Control remoto	Controllo remoto

**Appendix A:** overview connections  
**Bijlage A:** overzicht aansluitingen  
**Annexe A :** vue d'ensemble des connections  
**Anhang A:** Übersicht Anschlüsse  
**Apéndice A:** conexiones generales  
**Appendice A:** panoramica connessioni

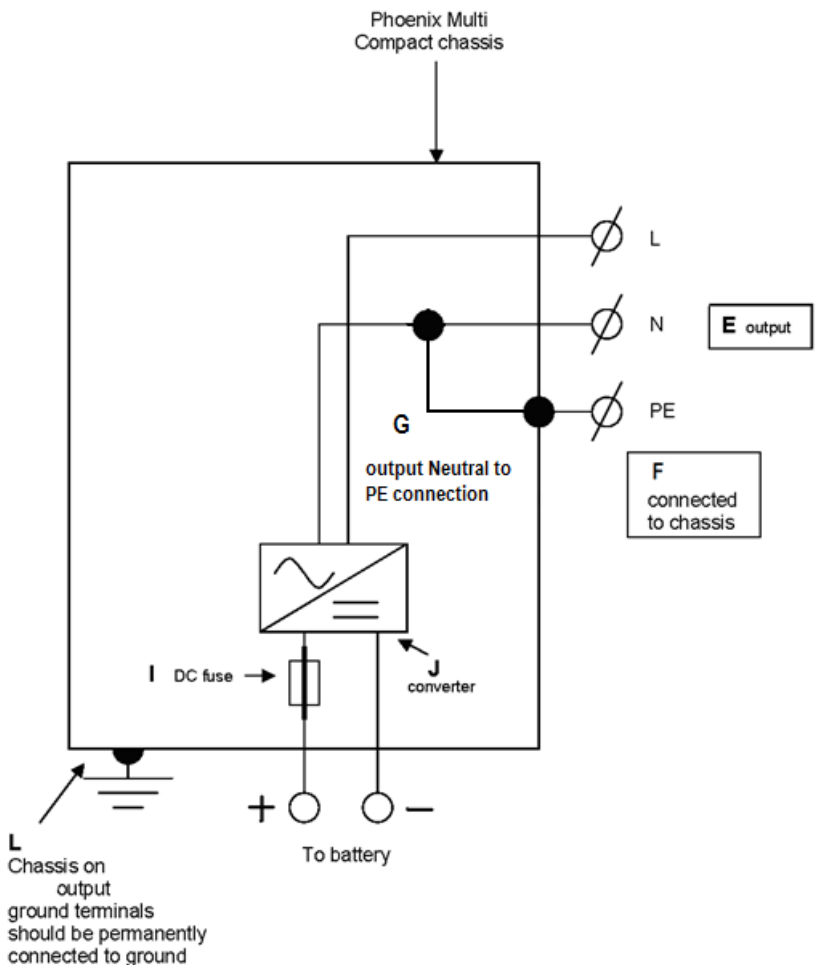


	EN	NL	FR
F	Batterie Minus	Accu Minus	Négatif batterie
J	Mains/converter OUT	Net / omvormer UIT	Sortie secteur / conv.
K	Battery plus	Accu Plus	Positif batterie

	DE	ES	IT
F	Batterie Minus	Negativo de la bateria	Polo negativo batteria
J	Netz / Wechselrichter AUS	Salida CA red/conversor	Rete/convertitore AC out
K	Batterie Plus	Positivo de la bateria	Polo positivo batteria

**Appendix B:** installation information  
**Bijlage B:** informatie installatie  
**Annexe B :** informations d'installation  
**Anhang B:** information zur Installation  
**Apéndice B:** instrucciones de instalación  
**Appendice B:** informazioni per l'installazione

Installation information



This ground wire "G" connects the output neutral to ground. It must be cut/removed if a floating output is required

Deze aardendraad "G" verbindt de uitgangsneutraal met de aarde. Het moet afgesloten/verwijderd worden wanneer een druppellaaduitgang vereist is of in het geval van herpositionering naar een 'dummy'-terminal.

Ce câble de mise à la terre « G » raccorde le neutre de la sortie à la terre. Il doit être coupé/retiré si une sortie flottante est nécessaire, ou repositionné à une borne « fictive ».

Dieser Erdungsdraht "G" verbindet den Nullleiter des Ausgangs mit der Erde. Wird ein schwebender Ausgang gewünscht, muss er unterbrochen/entfernt werden oder neu an eine „Dummy“-Anschlussklemme verbunden werden.

Este cable de puesta a tierra "G" conecta el neutro de salida a tierra. Deberá cortarse/eliminarse si fuese necesaria una salida sin potencial, o reubicarse a un terminal «ficticio».

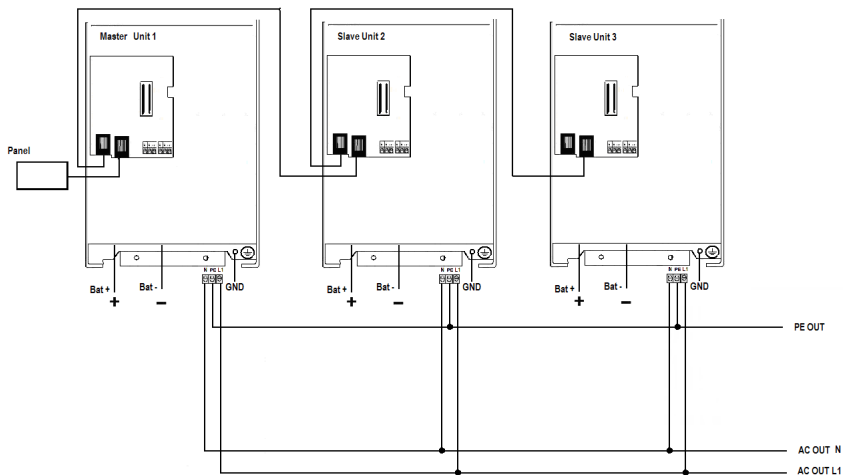
Questo cavo di terra "G" collega l'uscita neutra a terra. Deve essere tagliato/rimosso se è necessaria un'uscita flottante



	EN	NL	FR
E	Output	Uitgang	Sortie
F	Connected to chassis	Aardverbinding naar behuizing	Liaison à la terre du boîtier
G	Output Neutral to PE connection	Uitgangs Nul met Aarde verbindingsdraadje	Liaison du neutre de sortie à PE
I	DC fuse	DC zekering	Fusible DC
J	Converter	omvormer	Convertisseur
L	Chassis on output ground terminals should be permanently connected to ground	Behuizing moet permanent met de aarde zijn verbonden	Mise à la terre permanente du boîtier

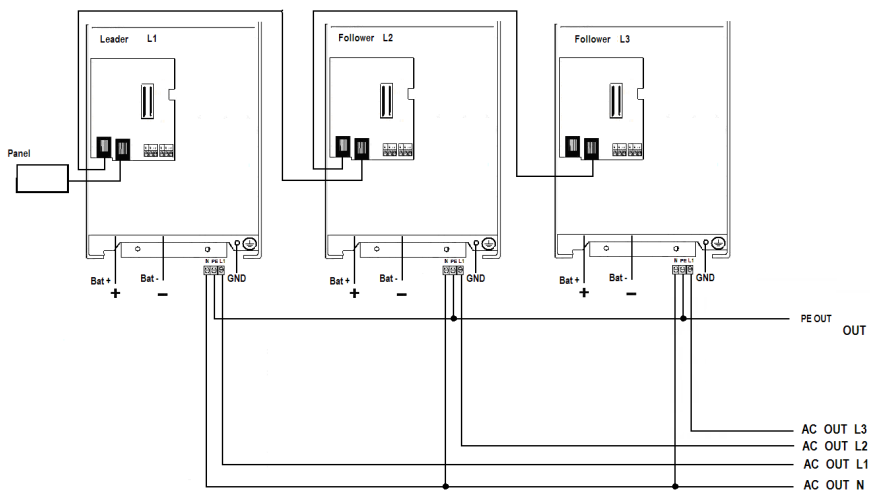
	DE	ES	IT
E	Verbracherausgang	Salida	Uscita
F	Verbindung Landstromerde / gehäuse	Conexión a tierra de la carcasa	Ingresso e uscita di terra collegati al telaio
G	Schutzleiter PE (ERDUNG) Anschlüsse	Salida de conexión de neutro a PE	Collegamento uscita neutro a PE
I	ANL-Gleichstrom-sicherung	Fusible CC	Fusibile CC
J	Wandler verbinding	Convertor	Convertitore
L	Schutzerdungs-anschluss am Gehäuse, muss mit dem Chassis eines Fahrzeugs oder dem Erdungspunkt eines Bootes verbunden sein.	Puesta a tierra permanente de la carcasa	Il telaio in corrispondenza dei morsetti di ingresso/uscita di terra dovrebbe essere sempre messo a terra

**Appendix C: parallel connection**  
**Bijlage C: parallele aansluiting**  
**Annexe C: connexion en parallèle**  
**Anhang C: parallelbetrieb**  
**Apéndice C: conexión en paralelo**  
**Appendice C: collegamento in parallelo**

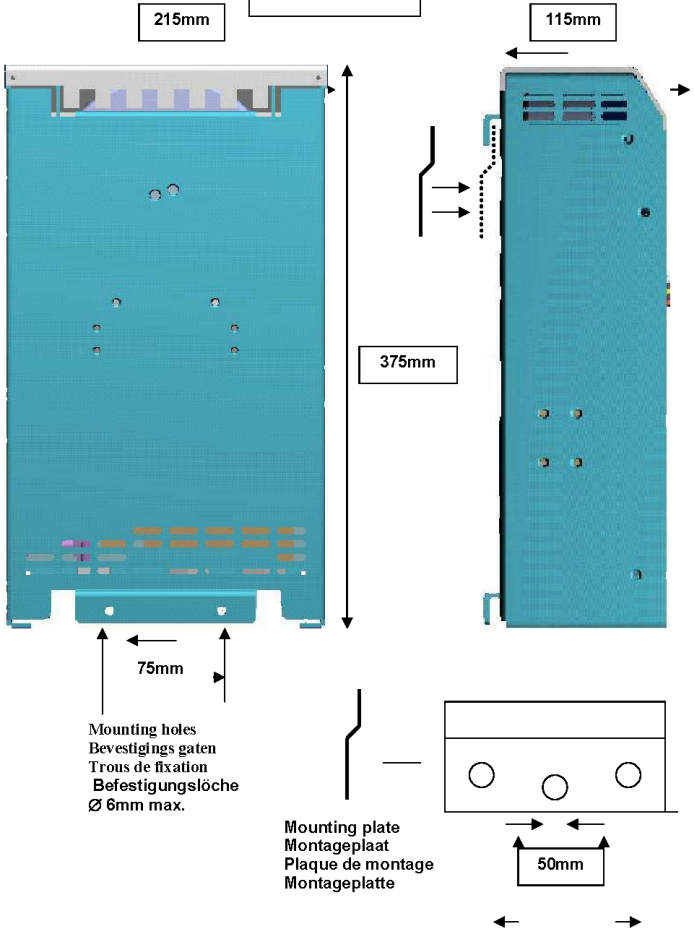




**Appendix D:** three-phase connection  
**Bijlage D:** driefasige aansluiting  
**Annexe D :** connexion triphasée  
**Anhang D :** drei-Phasen-Betrieb  
**Apéndice D:** conexión trifásica  
**Appendice D:** collegamento trifase



**Dimensions  
Afmetingen  
Dimensions  
Abmessungen**









# Victron Energy Blue Power

Distributor:

Serial number:

Version : 09  
Date : September 1<sup>st</sup>, 2017

Victron Energy B.V.  
De Paal 35 | 1351 JG Almere  
PO Box 50016 | 1305 AA Almere | The Netherlands

General phone : +31 (0)36 535 97 00  
Fax : +31 (0)36 535 97 40

E-mail : [sales@victronenergy.com](mailto:sales@victronenergy.com)

[www.victronenergy.com](http://www.victronenergy.com)