

DS-PSP1-WE
Wireless Smart Plug
Quick Start Guide

English

1 APPEARANCE

1. Power Button 2. LED Indicator 3. Jack

2 ENROLLMENT

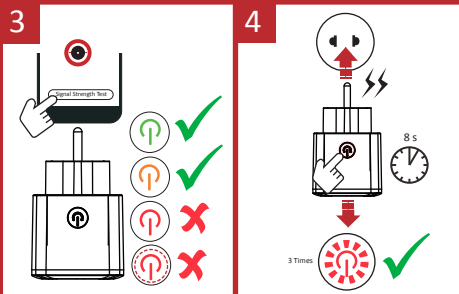
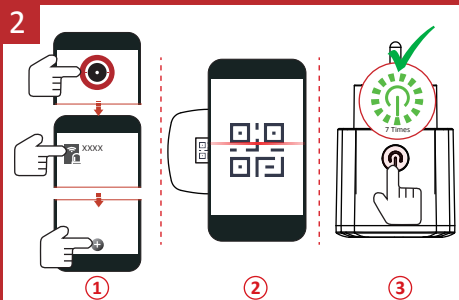
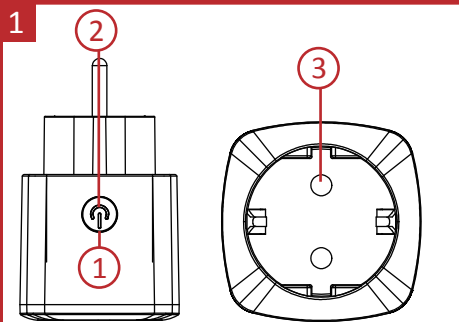
3 SIGNAL STRENGTH CHECKING

4 FORMATTING

Hold the power button for 8s, and power the plug on at the same time.

Specification

Power Button	1, for enrollment
Scenario Setting	By alarm, by operation, by fault, by schedule, by manual
RF method	Two way communication
RF Frequency	868 MHz
RF Distance	1600m
Wireless Security	AES-128
Power supply	AC 110v – 240v, 50/60 HZ , Max 10A
LEDs Status	1 (Green/Red)
Operation temperature	-10℃ to +55℃
Operation humidity	10% to 90%
Dimension(WxHxD)	52 mm x 52 mm x 88 mm
Weight	85 g
Installation method	Plug into Socket



©2020 Hangzhou Hikvision Digital Technology Co., Ltd. All rights reserved.

About this Manual

The Manual includes instructions for using and managing the Product. Pictures, charts, images and all other information herein are for description and explanation only. The information contained in this Manual is subject to change without notice, due to firmware updates or other reasons. Please find the latest version of this Manual at the Hikvision website (<http://www.hikvision.com/>).
Please use this Manual with the guidance and assistance of professionals trained in supporting the Product.


HIKVISION and other related trademarks and logos are the properties of Hikvision in various jurisdictions. Other trademarks and logos mentioned are the properties of their respective owners.


TO THE MAXIMUM EXTENT PERMITTED BY APPLICABLE LAW, THIS MANUAL AND THE PRODUCT DESCRIBED, WITH ITS HARDWARE, SOFTWARE AND FIRMWARE, ARE PROVIDED "AS IS," AND WITHOUT ANY WARRANTY, FOR INFORMATION AND NON-INFRINGEMENT OF THE RIGHTS OF THIRD PARTIES. HIKVISION, WITHOUT LIABILITY OR OBLIGATION, WILL NOT BE LIABLE TO YOU FOR ANY SPECIAL, CONSEQUENTIAL, INCIDENTAL, OR INDIRECT DAMAGES, INCLUDING, AMONG OTHERS, DAMAGES FOR LOSS OF BUSINESS OR PROFIT, BUSINESS INTERRUPTION, OR DATA, OR OTHERWISE, IN CONNECTION WITH THE USE OF THE PRODUCT. HIKVISION DOES NOT WARRANT AGAINST INTERFERENCE WITH YOUR DATA, OR THE SECURITY OF DATA, OR THE ACCURACY OF ANY INFORMATION RECEIVED THROUGH THE PRODUCT. HIKVISION SHALL NOT TAKE ANY RESPONSIBILITIES FOR DAMAGES OR LOSSES, INCLUDING SPECIAL, CONSEQUENTIAL, INCIDENTAL, OR INDIRECT DAMAGES, ARISING FROM THE USE OF THE PRODUCT, EVEN IF ADVISED OF THE POSSIBILITY OF SUCH DAMAGES OR LOSS.

THE USER ACKNOWLEDGES THAT THE NATURE OF INTERNET SECURITY RISKS, AND HIKVISION SHALL NOT TAKE ANY RESPONSIBILITIES FOR ANY DAMAGE TO INFORMATION, PRIVACY, CREDIT, REPUTATION, OR OTHER DAMAGES RESULTING FROM CYBER-ATTACK, HACKER ATTACK, VIRUS INFESTION, OR OTHER INTERNET SECURITY RISKS. THE USER SHALL BE RESPONSIBLE FOR ENSURING THAT YOUR USE CONFORMS TO THE APPLICABLE LAW. ESPECIALLY, YOU ARE RESPONSIBLE FOR USING THIS PRODUCT IN A MANNER THAT DOES NOT INFRINGE ON THE RIGHTS OF THIRD PARTIES, INCLUDING BUT NOT LIMITED TO INFRINGEMENT OF A PATENT, TRADEMARK, COPYRIGHT, OR DATA PROTECTION AND OTHER RIGHTS. YOU SHALL NOTIFY HIKVISION OF ANY INFRINGEMENTS TO THE APPLICABLE LAW. HIKVISION SHALL NOT BE RESPONSIBLE FOR INFRINGEMENTS OF PATENT, TRADEMARK, COPYRIGHT, OR DATA PROTECTION OF OTHERS, OR ANY ACTIVITIES IN THE CONTEXT RELATED TO ANY NUCLEAR EXPLOSIVE OR UNSAFE NUCLEAR FUEL-CYCLE, IN THE EVENT OF ANY CONFLICT BETWEEN THIS MANUAL AND THE APPLICABLE LAW, THE LATER PREVAILS.

This product and, if applicable, the supplied accessories too are marked with "CE" and comply therefore with the applicable harmonized European standards listed under the CE Directive 2014/53/EU, the EMC Directive 2014/53/EU, the RoHS Directive 2011/65/EU, the 2012/18/EU (WEEE Directive). Products marked with this symbol cannot be disposed of as unsorted municipal waste in the European Union. For proper recycling, please see the symbols for your local disposal upon the purchase of equipment, or dispose of it at designated collection points. For more information, see www.hikvision.com.
CAUTION: Battery electrolyte. This product contains a battery that cannot be disposed of as unsorted municipal waste in the European Union. See the product documentation for specific battery information. The battery is marked with this symbol, which may include labeling to indicate cadmium (Cd), lead (Pb), or mercury (Hg). For proper recycling, return the battery to your supplier or to a designated collection point for more information see www.hikvision.com.

CAUTION 1. This equipment is not suitable for use in locations where children are likely to be present.
2. This equipment is suitable for use in gang box or other enclosure protected device only.
3. No naked flame sources, such as lighted candles, should be placed on the equipment.
4. The equipment has been designed, when required, modified for connection to an IT power distribution system.
5. A readily accessible disconnect device shall be incorporated external to the equipment.
6. The socket-outlet shall be installed near the equipment and shall be easily accessible.
7. The equipment shall not be exposed to dripping or splashing and that no objects filled with liquids, such as vases, shall be placed on the equipment.

 Ensure correct wiring of the terminals for connection to an AC mains supply.

 indicates hazardous live and the external wiring connected to the terminals require installation by an instructed person.

Legal and Regulatory Information

