

# DIGI-GPRS

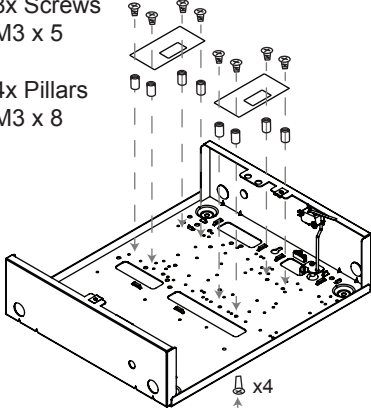
GPRS Digital Communicator

RINS1722-1

## LARGE HOUSING:

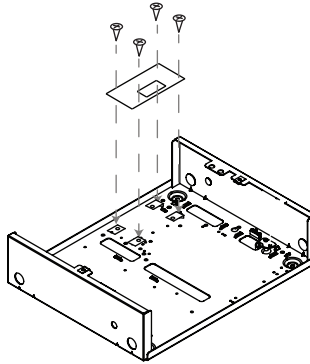
8x Screws  
M3 x 5

4x Pillars  
M3 x 8



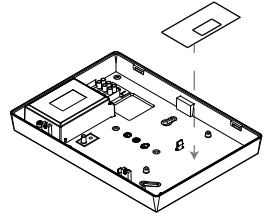
## SMALL HOUSING:

4 x Screws  
4x<sup>1/4</sup>



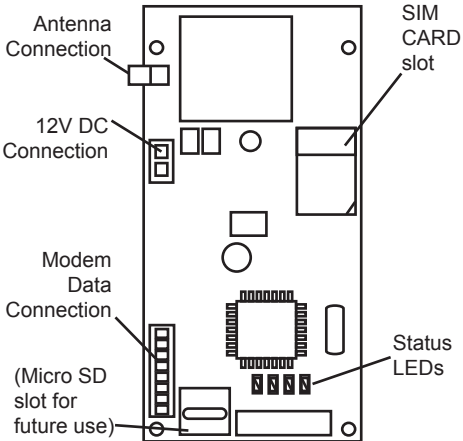
## ENFORCER HOUSING:

Clips into place

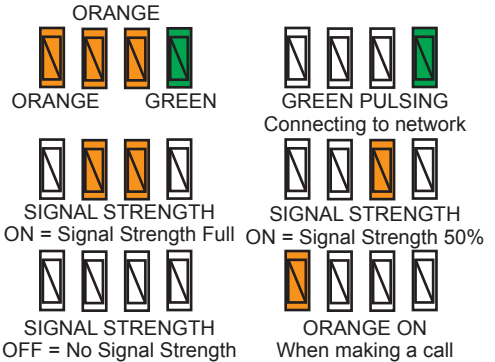


**The DIGI-GPRS is only available for the PCX 46 and Enforcer V10 and above.**

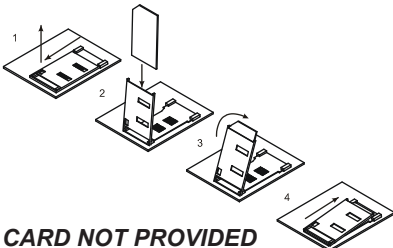
## The Printed Circuit Board



## LED Status



## Inserting a SIM Card



## SIM CARD NOT PROVIDED

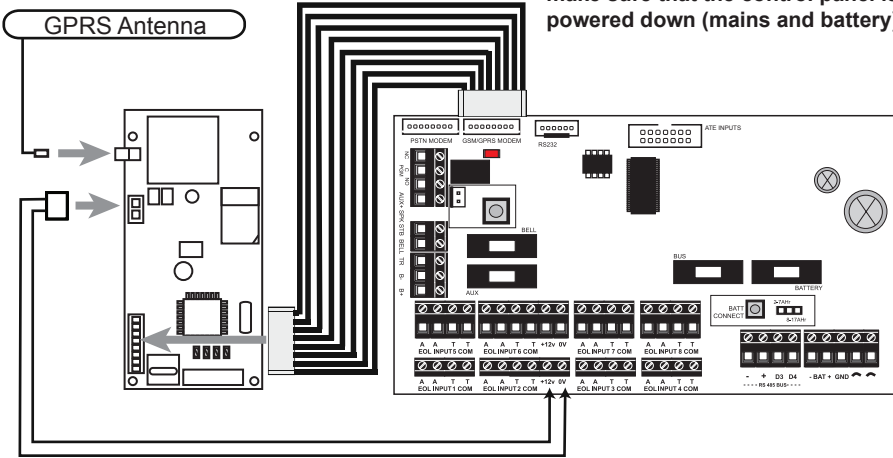
The GPRS Modem is compatible with GPRS networks and will not work with networks that provide a 3G Signal only (for example the 3 network).

## Troubleshooting:

- If no signal strength is displayed, try relocating the antenna in a new location.
- If the GPRS is not dialling out, check the modem is enabled in programming, the SIM card is inserted and the modem data connection is connected correctly. Also check to see if the GREEN LED is pulsing which will show that it is connecting to the network.
- If no LEDs are displayed, check the power connection or connect a separate +12V to the GPRS
- If the GPRS is not recognised with the control panel, power down and back up.

**Connection to the PCX 46 (Export only) control panel**

**NOTE:** When connecting the GPRS module, make sure that the control panel is fully powered down (mains and battery).



**NOTE:** When connecting a Digi GPRS to the Enforcer control panel, please use the power connector marked 'GSM modem' on the inside of the plastics.

**Information :** The Digi-GPRS can only be used on PCX 46 (Export only) and Enforcer version 10 and above control panels.

The GPRS module is used to communicate either via Contact ID IP, Fast Format IP, SIA IP or SMS. It will also enable remote uploading/downloading via a PC to the control panel.

**Antenna:** The supplied antenna must be connected as shown above. The antenna then must be situated in a position where the signal strength is high - this can be monitored via the LEDs.

If the SIM card used is pay-as-you-go - ensure that it has credit.

**Printed Circuit Board**

**12V DC Connection:**

The power connection for the GPRS Module.

**Modem Data Connection:**

Connection for data to the control panel.

**SIM Card:**

Must be present for the GPRS module to operate

**Technical Specification:**

**Formats:**

Fast Format IP, Contact ID IP, SIA IP, SMS , supports upload/downloading

**Voltage:**

+12VDC

**Quiescent:**

40mA (In use: 420mA)

**Dimensions:**

110 x 56 x 10mm

Please see the control panel (that this is being connected to) user, programming and quick set up manuals for further information. Minimum time for the detection of GSM/GPRS fault signal = 2 minutes 30 seconds.

**Compliance:**

Certified as SP5, for further information

please see EN 50131-1: 2006 table 10

Environmental Class II

EN 61000-6-3:2007

EN 60950-1:2006 +A12: 2011.

ETSI EN 301 511:V9.0.2

ETSI EN 301 489-1 V1.8.1/ -7 V1.3.1

CLC/ TS 50136-9: 2013

EN 50136-1: 2012



For electrical products sold within the European Community. At the end of the electrical products useful life, it should not be disposed of with household waste. Please recycle where facilities exist. Check with your Local Authority or retailer for recycling advice in your country.

