

PCX-ROX8R8T

Remote output expander; 8 transistor and 8 relay outputs.



EN50131-3:2009
EN50131-1:2006+A1:2009
PD6662:2010
Security Grade 3
Environmental Class II



ENGLISH

Installation Notes

NOTE: The expander module can be mounted on typical building materials; such as wood, PVC, brick or metal etc. If you do encounter any problems with different surfaces, please contact customer.support@pyronix.com

References

A PROGRAM OUTPUTS (Programming Menu Required)

B LEDs:

Power = GREEN
RS485 IN = BLUE: Flashing = Data OK. Solid = Not Addressed. Off = No Data.
RS485 Out = BLUE: Flashing = Data OK. Solid = Not Addressed. Off = No Data.

Specification

Supply Voltage: 9-15V DC
Current Consumption: 25mA, Max 300mA when all outputs are active
PGM1 to PGM16: Programmable
PGM1 to PGM8 Type: Open Collector
PGM1 to PGM8 Normal State: Floating
PGM1 to PGM4 Active State: 0V
PGM9 to PGM16 Type: Relay, 3A, max 30V
PGM9 to PGM16 Normal State: Changeover NC & NO
PGM9 to PGM16 Active State: Changeover NC & NO
Dimensions Plastic Box: 173 x 125 x 32mm
Dimensions PCB: 135 x 90 x 15mm
EN50131 Certified: Grade 3.

Warranty

This product is sold subject to our standard warranty conditions and is warranted against defects in workmanship for a period of two years. In the interest of continuing care and design, Pyronix Ltd reserves the right to amend specifications, without giving prior notice.

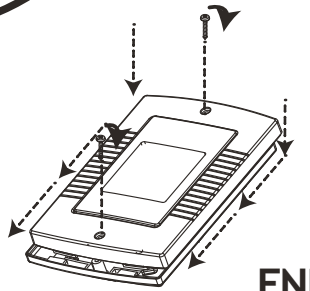
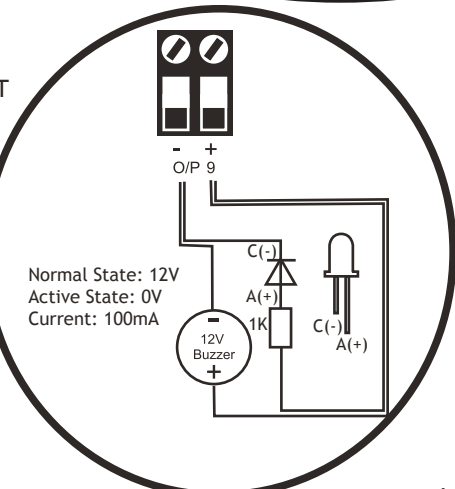
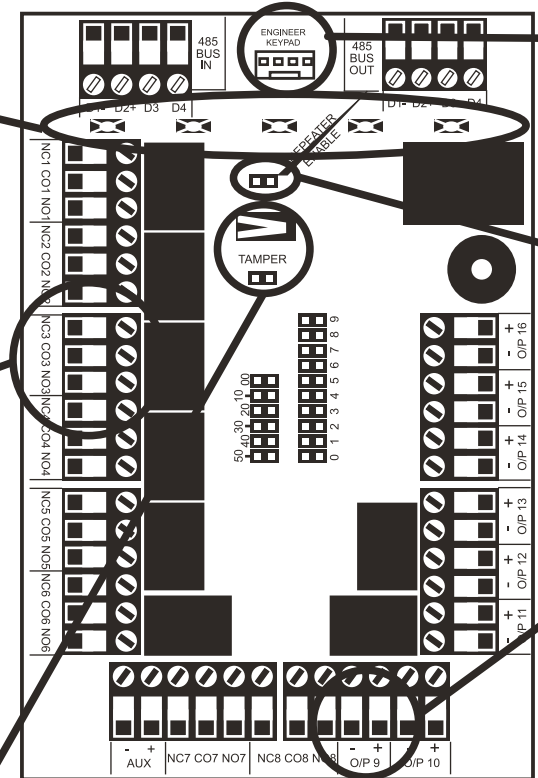
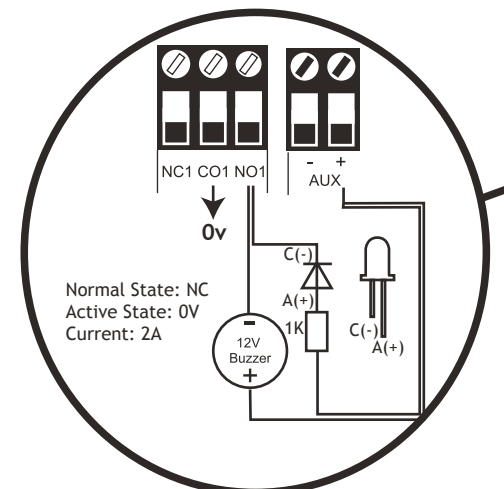
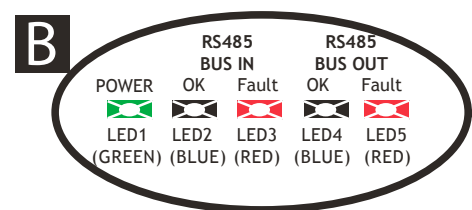
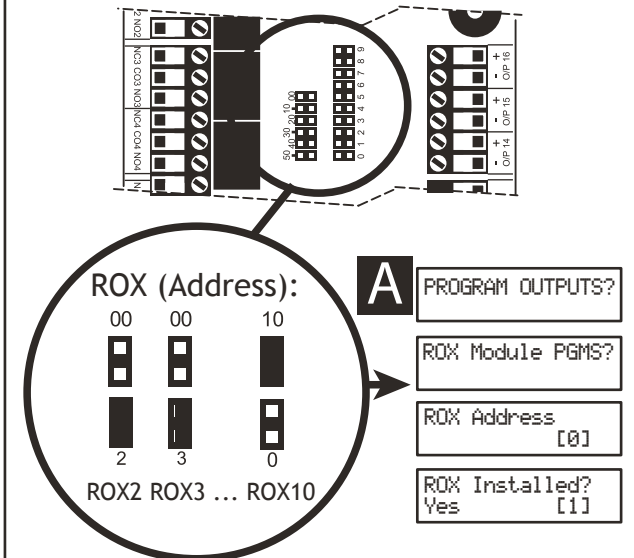
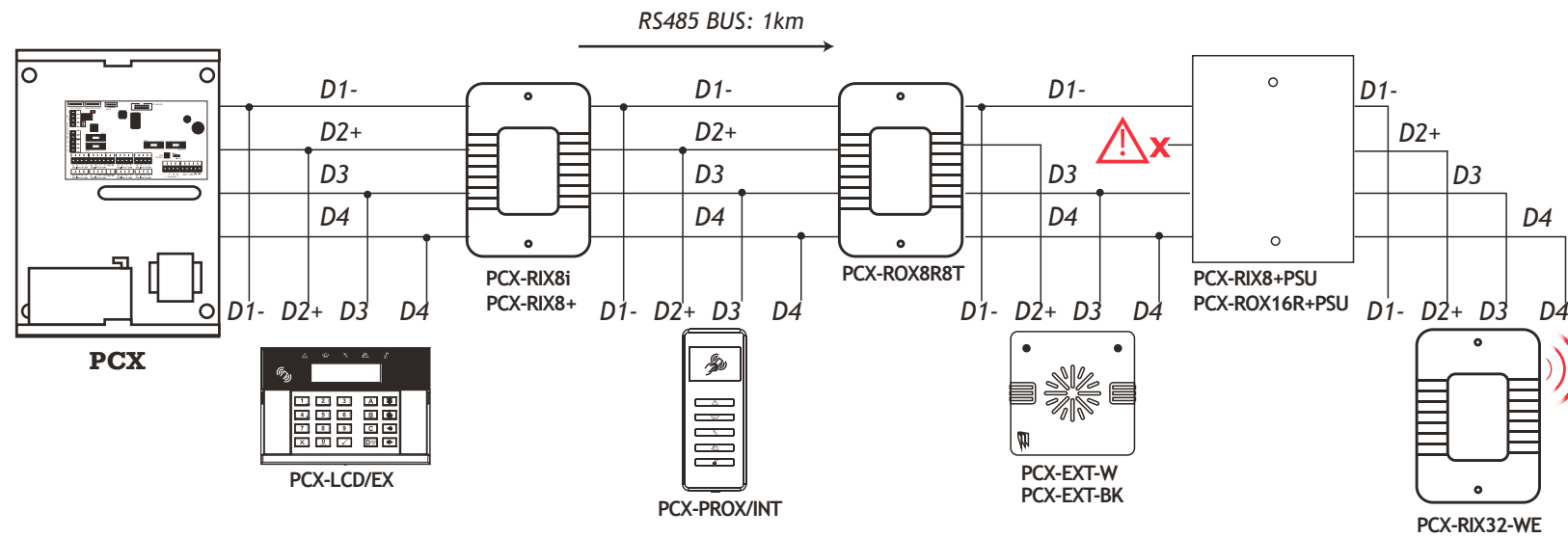
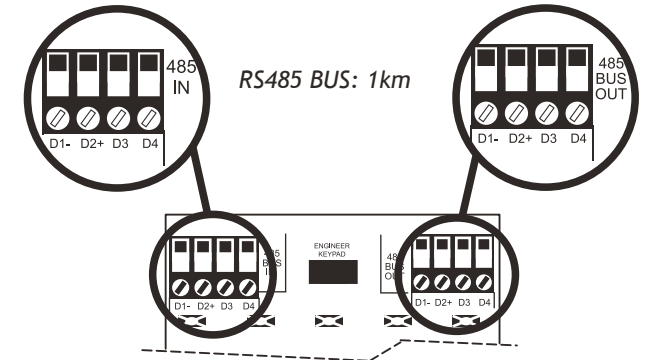
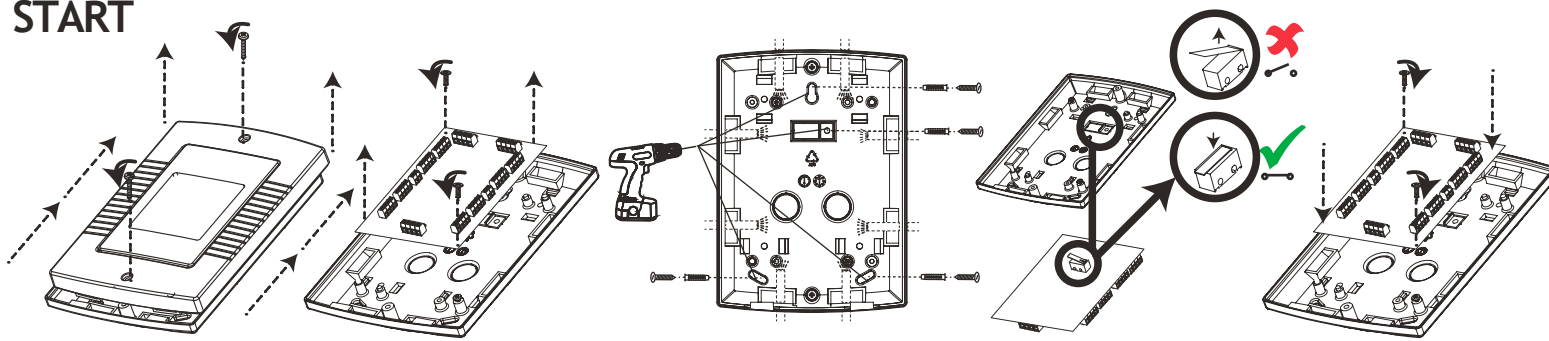
Product Warning Information

For electrical products sold within the European Community. At the end of the electrical products life, it should not be disposed of with household waste. Please recycle where facilities exist. Check with your Local Authority or retailer for recycling advice in your country.

Compatible Products

The PCX-RIX8+ can be connected to the following control panels/devices:
- PCX 46
- PCX 76i, 162i, 280i
- PCX 76iIP and 280iIP
- V2 GSM
Each control panel/device connects via the RS485 bus terminals: D1-, D2+, D3, D4

START



END

